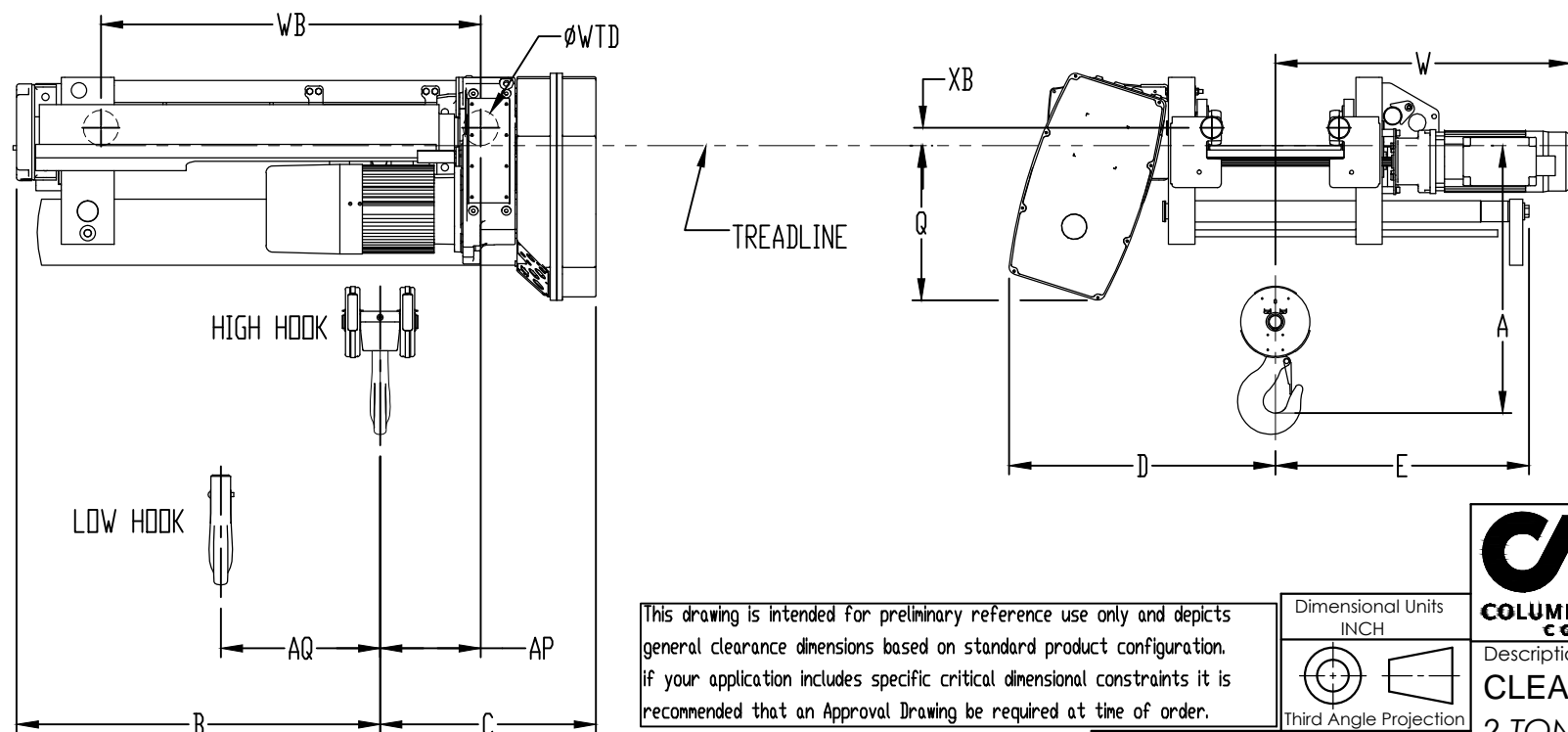
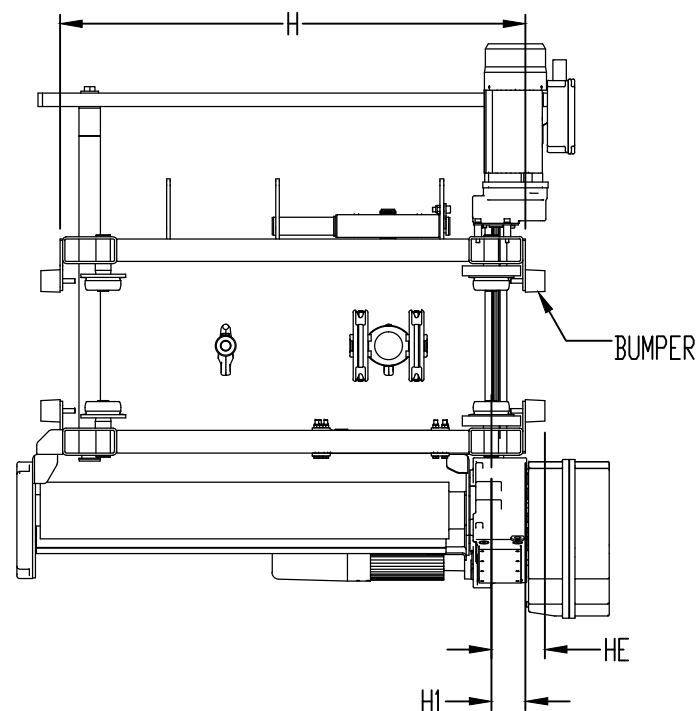


ACTUAL FLANGE WIDTH SETTING (IN)	3.25	4.90	5.70	6.90	7.70	8.90	9.85	10.80	12.05	12.80	13.78	14.80	15.75	16.70	17.75	18.70	19.70
MINIMUM HEADROOM DIMENSION "A" (IN)	22.44	22.92	23.15	24.28	25.04	26.45	27.56	28.71	30.24	31.17	32.40	33.66	34.84	35.98	37.24	38.38	39.57

FLANGE ADJUSTMENT RANGES
3.248" - 5.700"
5.701" - 7.700"
7.701" - 9.850"
9.851" - 12.050"
12.051" - 13.780"
13.781" - 15.750"
15.751" - 17.750"
17.751" - 19.700"

TECHNICAL DATA	
HOIST PLATFORM	GN WIRE ROPE HOIST
HOIST MODEL NUMBER	YKA-L02-020S420-2
RATED LIFT CAPACITY	2 U.S. TON
ACTUAL LIFT DISTANCE	20 FT (6.1 M)
MAXIMUM LIFTING SPEED	20 FT/MIN (6.1 M/MIN)
REEVING STYLE	4-PART SINGLE-REEVED
HOIST CONTROL TYPE	TWO-SPEED
HOIST SUSPENSION TYPE	UNDERHUNG MOTORIZED TROLLEY
TROLLEY TRAVERSE SPEED	80 FT/MIN (24.38 M/MIN)
TROLLEY CONTROL TYPE	TWO-SPEED
TROLLEY BUMPERS	INCLUDED
HOIST DUTY CLASSIFICATION	H4+/M6
OPERATING VOLTAGE	460V/3PH/60Hz
CONTROL VOLTAGE	120VAC
HOIST MOTOR (MAIN) HP	3.90
TROLLEY MOTOR HP	0.6
TROLLEY MOTOR QTY	1
BASE WEIGHT OF HOIST (LBS)	617.12



DIMENSIONAL DATA	
B	20.87 INCH
C	19.47 INCH
D*	23.87 INCH
E*	22.74 INCH
Q	13.89 INCH
W*	26.50 INCH
WTD	3.15 INCH
WB	22.44 INCH
H	29.22 INCH
HI	2.99 INCH
HE	4.69 INCH
XB	1.57 INCH
AP	9.13 INCH
AQ	4.57 INCH

NOTE:

* DIMENSIONS D, E, AND W ARE SHOWN FOR A BEAM FLANGE WIDTH 8.00 INCHES. THESE DIMENSIONS ARE MEASURED FROM CAD MODELS AND CONSIDERED AS APPROXIMATE VALUES.

This drawing is intended for preliminary reference use only and depicts general clearance dimensions based on standard product configuration. If your application includes specific critical dimensional constraints it is recommended that an Approval Drawing be required at time of order.

Dimensional Units
INCH



Third Angle Projection

Modeled:	05/04/2018	SRCCE
Drawn:	05/04/2018	SRCCE
Approved:		
Design Authority:		
Original project:		
Original Scale:	1:16	

CMCO Columbus McKinnon Corporation
Hoist & Rigging - Americas
Getzville, NY USA

Description:
CLEARANCE DIAGRAM
2 TON 20 FT LIFT S4 REEVING 20 FT/MIN

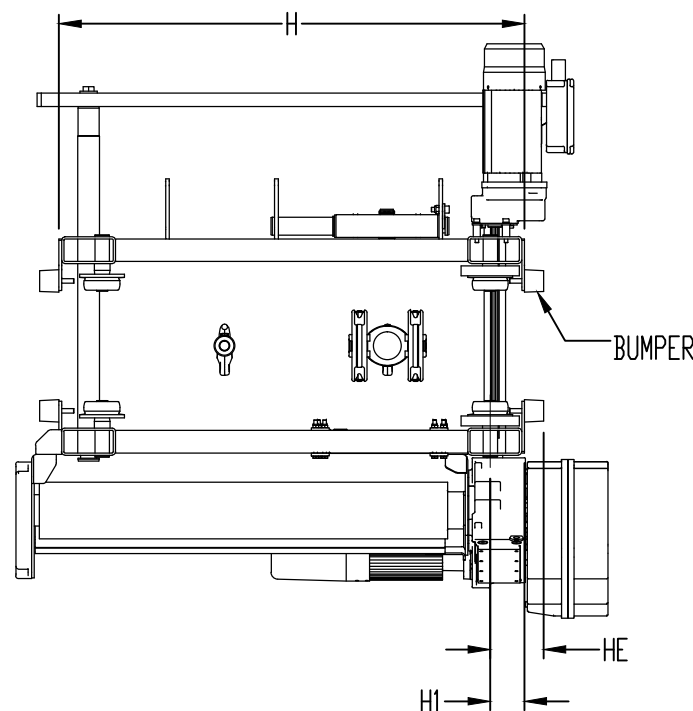
Format	Number:	Sheet
B	YKA-L02-020S420-2	1/1

ECN	Rev.	Description of change	Date	By
-	-	-	-	-
-	-	-	-	-
-	-	-	-	-

NOTICE TO PERSONS RECEIVING THIS DRAWING AND/OR TECHNICAL INFORMATION
Columbus McKinnon Corporation (CMCO) claims proprietary rights in the material disclosed hereon. This drawing and/or technical information is issued in confidence for engineering information only and may not be reproduced or used to manufacture anything shown or referred to hereon without direct permission from CMCO to the user. This drawing and/or technical information is loaned for mutual assistance and is subject to recall by CMCO at any time. This drawing and/or technical information is the property of CMCO.

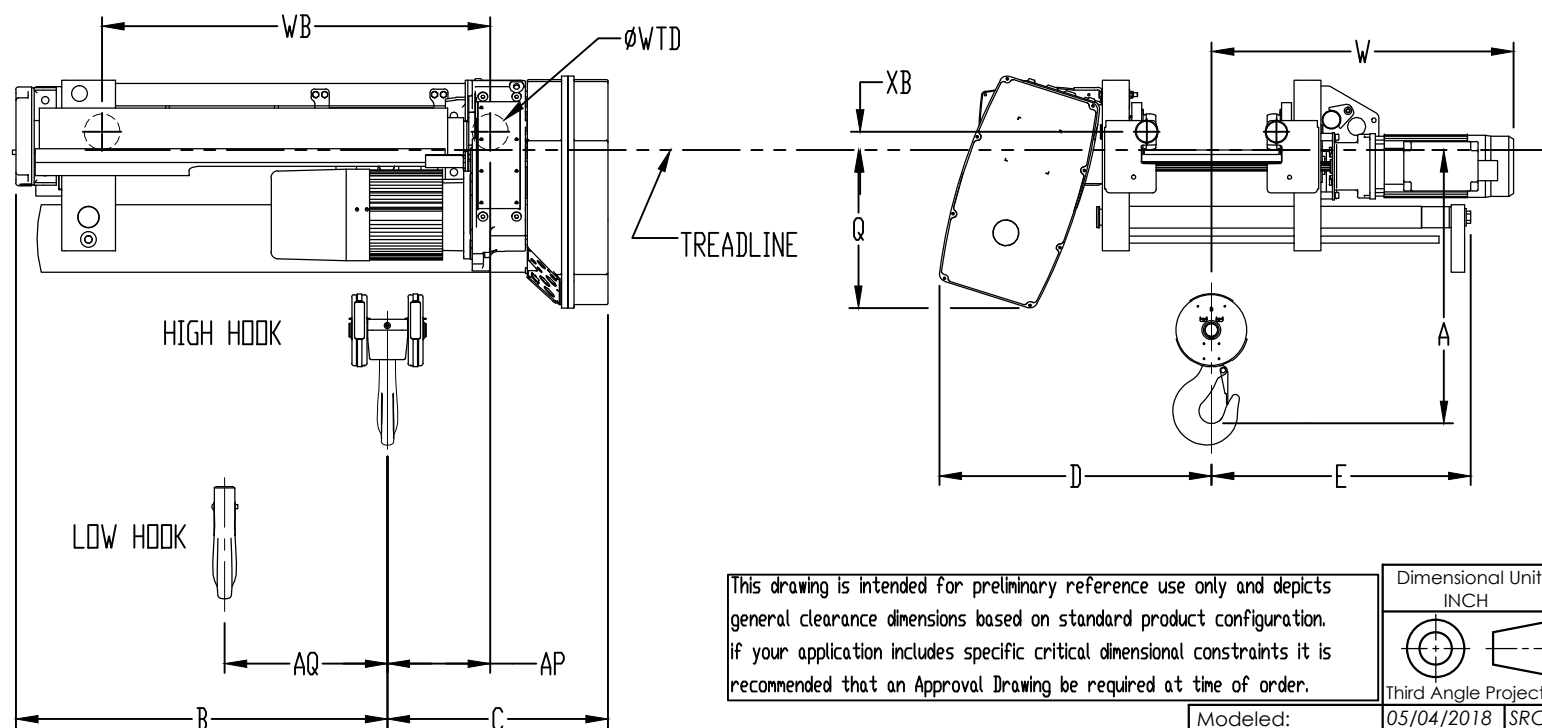
ACTUAL FLANGE WIDTH SETTING (IN)	3.25	4.90	5.70	6.90	7.70	8.90	9.85	10.80	12.05	12.80	13.78	14.80	15.75	16.70	17.75	18.70	19.70
MINIMUM HEADROOM DIMENSION "A" (IN)	22.44	22.92	23.15	24.28	25.04	26.45	27.56	28.71	30.24	31.17	32.40	33.66	34.84	35.98	37.24	38.38	39.57

FLANGE ADJUSTMENT RANGES
3.248" - 5.700"
5.701" - 7.700"
7.701" - 9.850"
9.851" - 12.050"
12.051" - 13.780"
13.781" - 15.750"
15.751" - 17.750"
17.751" - 19.700"



TECHNICAL DATA	
HOIST PLATFORM	GN WIRE ROPE HOIST
HOIST MODEL NUMBER	YKA-L03-033S420-2
RATED LIFT CAPACITY	2.5 AND 3 U.S.TON
ACTUAL LIFT DISTANCE	33 FT (10.1 M)
MAXIMUM LIFTING SPEED	20 FT/MIN (6.1 M/MIN)
REEVING STYLE	4-PART SINGLE-REEVED
HOIST CONTROL TYPE	TWO-SPEED
HOIST SUSPENSION TYPE	UNDERHUNG MOTORIZED TROLLEY
TROLLEY TRAVERSE SPEED	80 FT/MIN (24.38 M/MIN)
TROLLEY CONTROL TYPE	TWO-SPEED
TROLLEY BUMPERS	INCLUDED
HOIST DUTY CLASSIFICATION	H4/M5
OPERATING VOLTAGE	460V/3PH/60Hz
CONTROL VOLTAGE	120VAC
HOIST MOTOR (MAIN) HP	3.90
TROLLEY MOTOR HP	0.6
TROLLEY MOTOR QTY	1
BASE WEIGHT OF HOIST (LBS)	650.18

DIMENSIONAL DATA	
B	32.60 INCH
C	19.35 INCH
D*	23.87 INCH
E*	22.74 INCH
Q	13.89 INCH
W*	26.50 INCH
WTD	3.15 INCH
WB	32.05 INCH
H	40.83 INCH
H1	2.99 INCH
HE	4.69 INCH
XB	1.57 INCH
AP	9.02 INCH
AQ	7.60 INCH



This drawing is intended for preliminary reference use only and depicts general clearance dimensions based on standard product configuration. If your application includes specific critical dimensional constraints it is recommended that an Approval Drawing be required at time of order.

Dimensional Units	INCH
Third Angle Projection	
Modeled:	05/04/2018 SRCCE
Drawn:	05/04/2018 SRCCE
Approved:	
Design Authority:	-
Original project:	-
Original Scale:	1:16

CMCO Columbus McKinnon Corporation
Hoist & Rigging - Americas
Getzville, NY USA

Description:
CLEARANCE DIAGRAM
2.5 AN 3 TON 33 FT LIFT S4 REEVING 20 FT/MIN

Format	Number:	Sheet
B	YKA-L03-033S420-2	1/1

NOTICE TO PERSONS RECEIVING THIS DRAWING AND/OR TECHNICAL INFORMATION
Columbus McKinnon Corporation (CMCO) claims proprietary rights in the material disclosed hereon. This drawing and/or technical information is issued in confidence for engineering information only and may not be reproduced or used to manufacture anything shown or referred to hereon without direct permission from CMCO to the user. This drawing and/or technical information is loaned for mutual assistance and is subject to recall by CMCO at any time. This drawing and/or technical information is the property of CMCO.

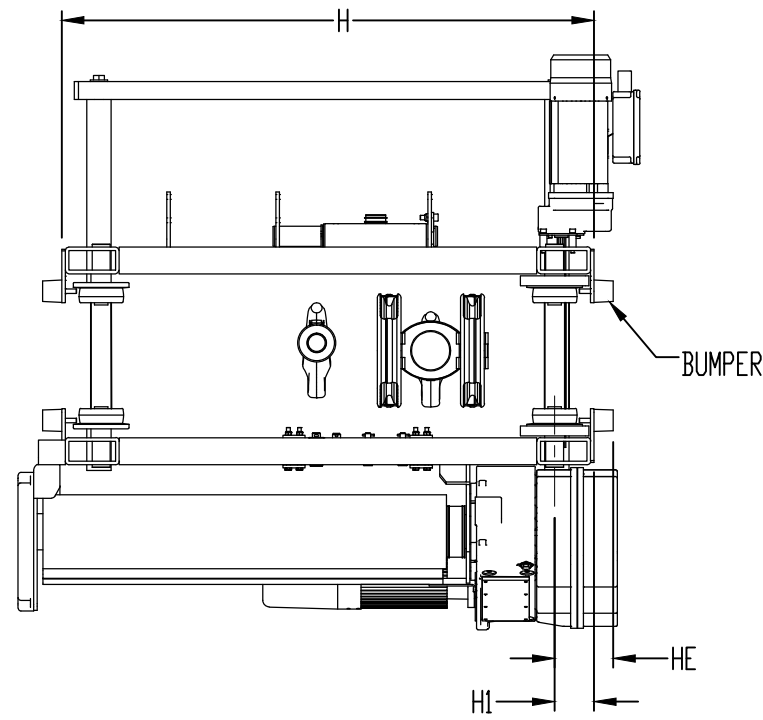
NOTE:

* DIMENSIONS D, E, AND W ARE SHOWN FOR A BEAM FLANGE WIDTH 8.00 INCHES. THESE DIMENSIONS ARE MEASURED FROM CAD MODELS AND CONSIDERED AS APPROXIMATE VALUES.

ECN	Rev.	Description of change	Date	By
-	-	-	-	-
-	-	-	-	-
-	-	-	-	-

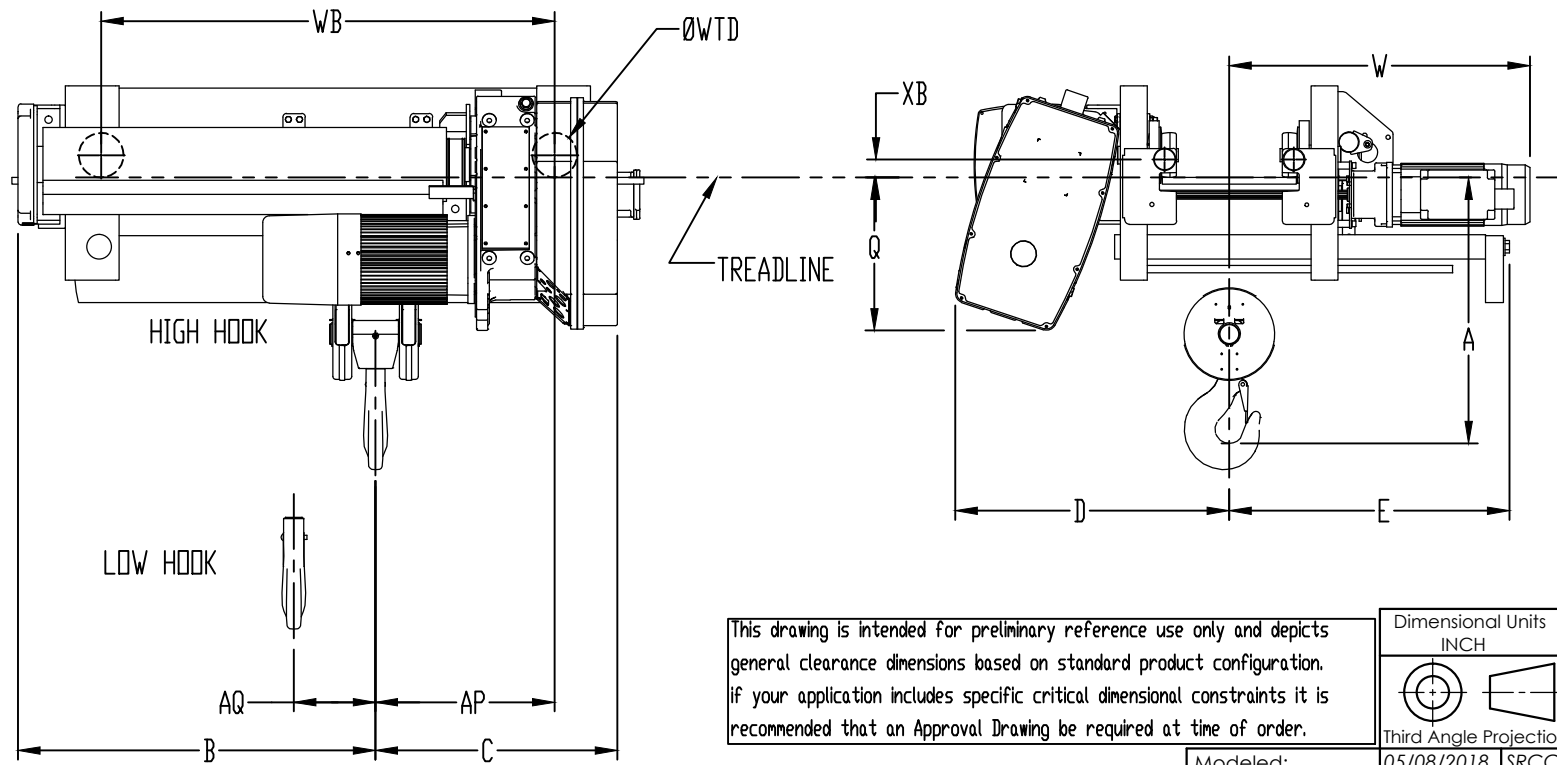
ACTUAL FLANGE WIDTH SETTING (IN)	3.50	4.90	5.70	6.90	7.70	8.90	9.85	10.80	12.05	12.80	13.78	14.80	15.75	16.70	17.75	18.70	19.70
MINIMUM HEADROOM DIMENSION "A" (IN)	26.57	26.50	26.46	26.76	26.97	27.65	28.19	28.80	29.61	30.51	31.69	32.92	34.06	35.20	36.46	37.59	38.78

FLANGE ADJUSTMENT RANGES
3.500" - 5.700"
5.701" - 7.700"
7.701" - 9.850"
9.851" - 12.050"
12.051" - 13.780"
13.781" - 15.750"
15.751" - 17.750"
17.751" - 19.700"



TECHNICAL DATA	
HOIST PLATFORM	GN WIRE ROPE HOIST
HOIST MODEL NUMBER	YKB-L05-020S420-2
RATED LIFT CAPACITY	5 U.S. TON
ACTUAL LIFT DISTANCE	20 FT (6.1 M)
MAXIMUM LIFTING SPEED	20 FT/MIN (6.1 M/MIN)
REEVING STYLE	4-PART SINGLE-REEVED
HOIST CONTROL TYPE	TWO-SPEED
HOIST SUSPENSION TYPE	UNDERHUNG MOTORIZED TROLLEY
TROLLEY TRAVERSE SPEED	80 FT/MIN (24.38 M/MIN)
TROLLEY CONTROL TYPE	TWO-SPEED
TROLLEY BUMPERS	INCLUDED
HOIST DUTY CLASSIFICATION	H4/M5
OPERATING VOLTAGE	460V/3PH/60Hz
CONTROL VOLTAGE	120VAC
HOIST MOTOR (MAIN) HP	7.80
TROLLEY MOTOR HP	0.6
TROLLEY MOTOR QTY	1
BASE WEIGHT OF HOIST (LBS)	727.32

DIMENSIONAL DATA	
B	19.38 INCH
C	21.83 INCH
D*	24.13 INCH
E*	24.70 INCH
Q	13.53 INCH
W*	26.50 INCH
WTD	3.94 INCH
WB	22.44 INCH
H	29.37 INCH
H1	3.54 INCH
HE	5.08 INCH
XB	1.54 INCH
AP	9.88 INCH
AQ	4.33 INCH



This drawing is intended for preliminary reference use only and depicts general clearance dimensions based on standard product configuration. If your application includes specific critical dimensional constraints it is recommended that an Approval Drawing be required at time of order.

Dimensional Units	INCH
Third Angle Projection	
Modeled:	05/08/2018 SRCCE
Drawn:	05/08/2018 SRCCE
Approved:	
Design Authority:	-
Original project:	-
Original Scale:	1:16



Description:
CLEARANCE DIAGRAM
5 TON 20 FT LIFT S4 REEVING 20 FT/MIN

NOTE:

* DIMENSIONS D, E, AND W ARE SHOWN FOR A BEAM FLANGE WIDTH 8.00 INCHES. THESE DIMENSIONS ARE MEASURED FROM CAD MODELS AND CONSIDERED AS APPROXIMATE VALUES.

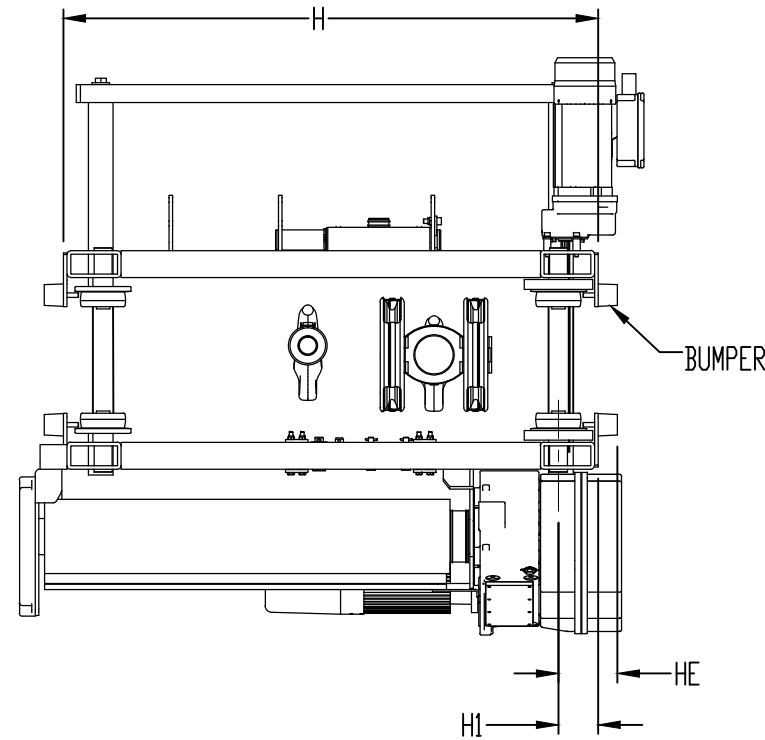
ECN	Rev.	Description of change	Date	By
-	-	-	-	-
-	-	-	-	-
-	-	-	-	-

Format	Number:	Sheet
B	YKB-L05-020S420-2	1/1

NOTICE TO PERSONS RECEIVING THIS DRAWING AND/OR TECHNICAL INFORMATION
Columbus McKinnon Corporation (CMCO) claims proprietary rights in the material disclosed hereon. This drawing and/or technical information is issued in confidence for engineering information only and may not be reproduced or used to manufacture anything shown or referred to hereon without direct permission from CMCO to the user. This drawing and/or technical information is loaned for mutual assistance and is subject to recall by CMCO at any time. This drawing and/or technical information is the property of CMCO.

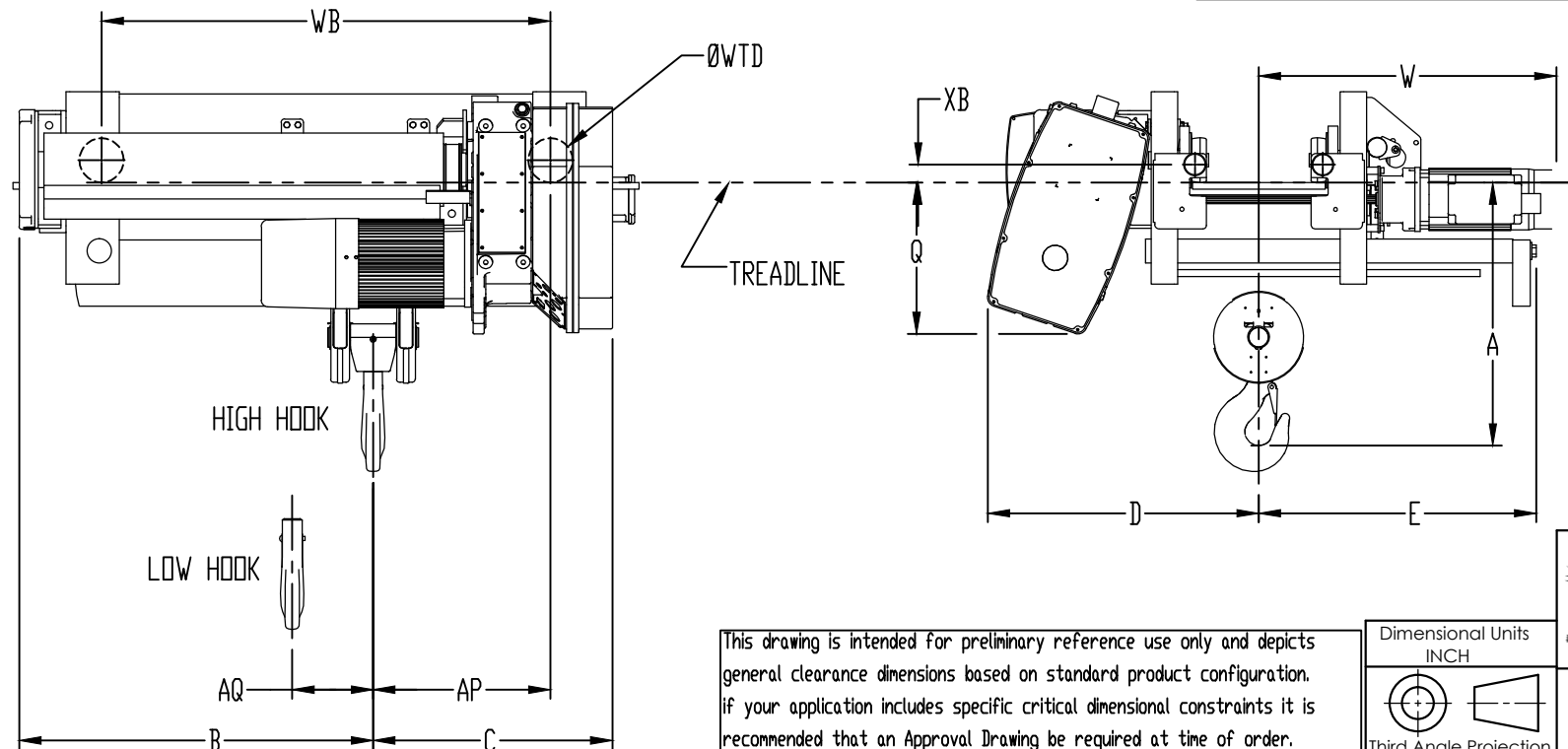
ACTUAL FLANGE WIDTH SETTING (IN)	3.50	4.90	5.70	6.90	7.70	8.90	9.85	10.80	12.05	12.80	13.78	14.80	15.75	16.70	17.75	18.70	19.70
MINIMUM HEADROOM DIMENSION "A" (IN)	26.57	26.50	26.46	26.76	26.97	27.65	28.19	28.80	29.61	30.51	31.69	32.92	34.06	35.20	36.46	37.59	38.78

FLANGE ADJUSTMENT RANGES
3.500" - 5.700"
5.701" - 7.700"
7.701" - 9.850"
9.851" - 12.050"
12.051" - 13.780"
13.781" - 15.750"
15.751" - 17.750"
17.751" - 19.700"



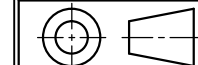
TECHNICAL DATA	
HOIST PLATFORM	GN WIRE ROPE HOIST
HOIST MODEL NUMBER	YKB-L05-033S420-2
RATED LIFT CAPACITY	5 U.S. TON
ACTUAL LIFT DISTANCE	33 FT (10.1 M)
MAXIMUM LIFTING SPEED	20 FT/MIN (6.1 M/MIN)
REEVING STYLE	4-PART SINGLE-REEVED
HOIST CONTROL TYPE	TWO-SPEED
HOIST SUSPENSION TYPE	UNDERHUNG MOTORIZED TROLLEY
TROLLEY TRAVERSE SPEED	80 FT/MIN (24.38 M/MIN)
TROLLEY CONTROL TYPE	TWO-SPEED
TROLLEY BUMPERS	INCLUDED
HOIST DUTY CLASSIFICATION	H4/M5
OPERATING VOLTAGE	460V/3PH/60HZ
CONTROL VOLTAGE	120VAC
HOIST MOTOR (MAIN) HP	7.80
TROLLEY MOTOR HP	0.6
TROLLEY MOTOR QTY	1
BASE WEIGHT OF HOIST (LBS)	786.83

DIMENSIONAL DATA	
B	30.99 INCH
C	21.83 INCH
D*	24.13 INCH
E*	24.70 INCH
Q	13.53 INCH
W*	26.50 INCH
WTD	3.94 INCH
WB	39.96 INCH
H	46.89 INCH
H1	3.54 INCH
HE	5.08 INCH
XB	1.54 INCH
AP	15.79 INCH
AQ	7.20 INCH



This drawing is intended for preliminary reference use only and depicts general clearance dimensions based on standard product configuration. If your application includes specific critical dimensional constraints it is recommended that an Approval Drawing be required at time of order.

Dimensional Units
INCH



Third Angle Projection

Modeled:	05/08/2018	SRCCE
Drawn:	05/08/2018	SRCCE
Approved:		
Design Authority:		
Original project:		
Original Scale:	1:16	



Columbus McKinnon Corporation
Hoist & Rigging - Americas
Getzville, NY USA

Description:
CLEARANCE DIAGRAM
5 TON 33 FT LIFT S4 REEVING 20 FT/MIN

Format	Number:	Sheet
B	YKB-L05-033S420-2	1/1

NOTICE TO PERSONS RECEIVING THIS DRAWING AND/OR TECHNICAL INFORMATION
Columbus McKinnon Corporation (CMCO) claims proprietary rights in the material disclosed herein. This drawing and/or technical information is issued in confidence for engineering information only and may not be reproduced or used to manufacture anything shown or referred to herein without direct permission from CMCO to the user. This drawing and/or technical information is loaned for mutual assistance and is subject to recall by CMCO at any time. This drawing and/or technical information is the property of CMCO.

NOTE:

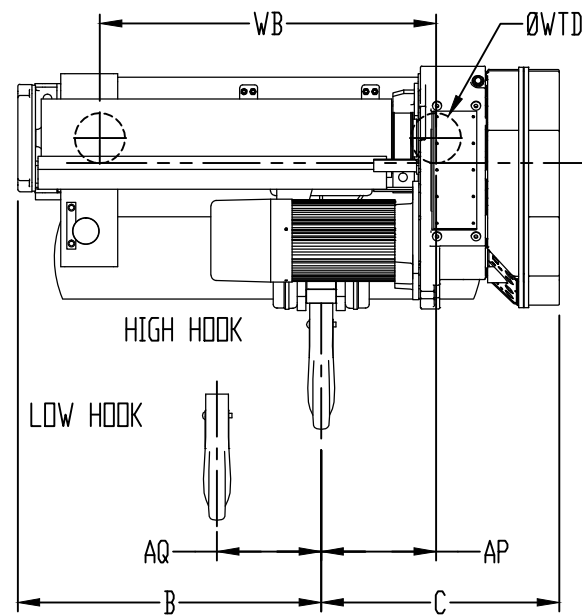
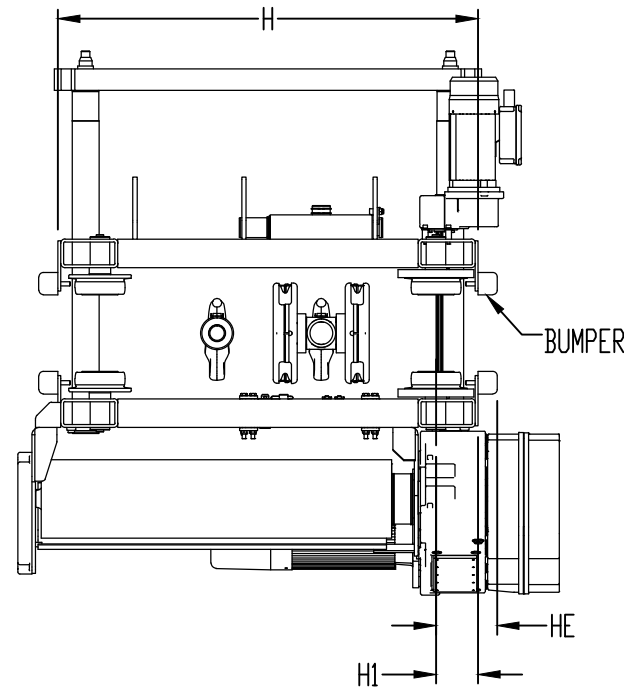
* DIMENSIONS D, E, AND W ARE SHOWN FOR A BEAM FLANGE WIDTH 8.00 INCHES. THESE DIMENSIONS ARE MEASURED FROM CAD MODELS AND CONSIDERED AS APPROXIMATE VALUES.

ECN	Rev.	Description of change	Date	By
-	-	-	-	-
-	-	-	-	-
-	-	-	-	-

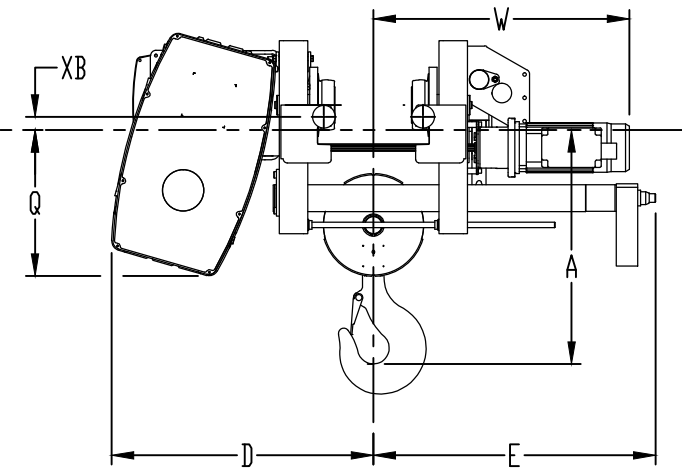
ACTUAL FLANGE WIDTH SETTING (IN)	4.68	5.70	6.90	7.90	8.90	9.85	10.80	12.25	12.80	13.78	14.80	15.75	16.70	17.75	18.70	19.70
MINIMUM HEADROOM DIMENSION "A" (IN)	32.09	31.77	31.54	31.34	31.24	31.14	31.25	31.42	32.08	33.26	34.49	35.63	36.77	38.02	39.16	40.35

FLANGE ADJUSTMENT RANGES
4.680" - 5.700"
5.701" - 7.900"
7.901" - 9.850"
9.851" - 12.250"
12.251" - 15.750"
15.751" - 19.700"

DIMENSIONAL DATA	
B	20.63 INCH
C	26.54 INCH
D*	28.83 INCH
E*	31.08 INCH
Q	15.97 INCH
W*	28.20 INCH
WTD	5.51 INCH
WB	24.61 INCH
H	33.90 INCH
H1	4.65 INCH
HE	6.73 INCH
XB	1.46 INCH
AP	12.64 INCH
AQ	4.65 INCH



TECHNICAL DATA	
HOIST PLATFORM	GN WIRE ROPE HOIST
HOIST MODEL NUMBER	YKC-L09-L10-020S420-2
RATED LIFT CAPACITY	9 AND 10 U.S. TON
ACTUAL LIFT DISTANCE	20FT (6.1 M)
MAXIMUM LIFTING SPEED	20 FT/MIN (6.1 M/MIN)
REEVING STYLE	4-PART SINGLE-REEVED
HOIST CONTROL TYPE	TWO-SPEED
HOIST SUSPENSION TYPE	UNDERHUNG MOTORIZED TROLLEY
TROLLEY TRAVERSE SPEED	80 FT/MIN (24.38 M/MIN)
TROLLEY CONTROL TYPE	TWO-SPEED
TROLLEY BUMPERS	INCLUDED
HOIST DUTY CLASSIFICATION	H4/M5
OPERATING VOLTAGE	460V/3PH/60HZ
CONTROL VOLTAGE	120VAC
HOIST MOTOR (MAIN) HP	14.80
TROLLEY MOTOR HP	0.9
TROLLEY MOTOR QTY	1
BASE WEIGHT OF HOIST (LBS)	1664.02



TREADLINE

This drawing is intended for preliminary reference use only and depicts general clearance dimensions based on standard product configuration. If your application includes specific critical dimensional constraints it is recommended that an Approval Drawing be required at time of order.

Dimensional Units	INCH
Third Angle Projection	

Modeled:	05/07/2018	SRCCE
Drawn:	05/07/2018	SRCCE
Approved:		

CMCO Columbus McKinnon Corporation
Hoist & Rigging - Americas
Getzville, NY USA

Description:
CLEARANCE DIAGRAM
9 AND 10 TON 20 FT LIFT S4 REEVING 20 FT/MIN

NOTE:

* DIMENSIONS D, E, AND W ARE SHOWN FOR A BEAM FLANGE WIDTH 8.00 INCHES. THESE DIMENSIONS ARE MEASURED FROM CAD MODELS AND CONSIDERED AS APPROXIMATE VALUES.

ECN	Rev.	Description of change	Date	By	Original Scale:	1:20	Format	Number:	B YKC-L09-L10-020S420-2	Sheet	1/1
-----	------	-----------------------	------	----	-----------------	------	--------	---------	--------------------------------	-------	-----

NOTICE TO PERSONS RECEIVING THIS DRAWING AND/OR TECHNICAL INFORMATION
Columbus McKinnon Corporation (CMCO) claims proprietary rights in the material disclosed herein. This drawing and/or technical information is issued in confidence for engineering information only and may not be reproduced or used to manufacture anything shown or referred to hereon without direct permission from CMCO to the user. This drawing and/or technical information is loaned for mutual assistance and is subject to recall by CMCO at any time. This drawing and/or technical information is the property of CMCO.

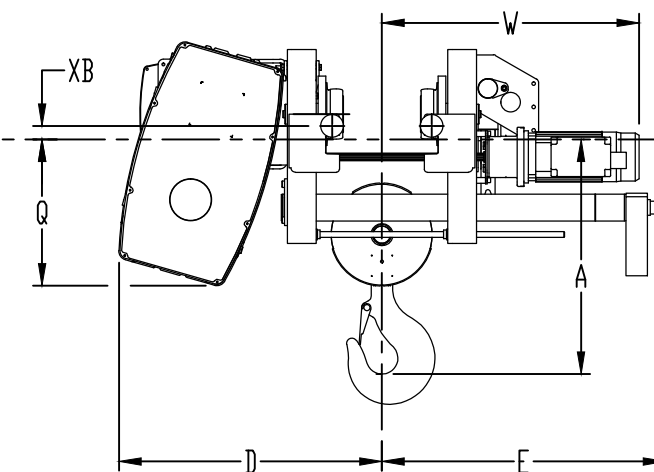
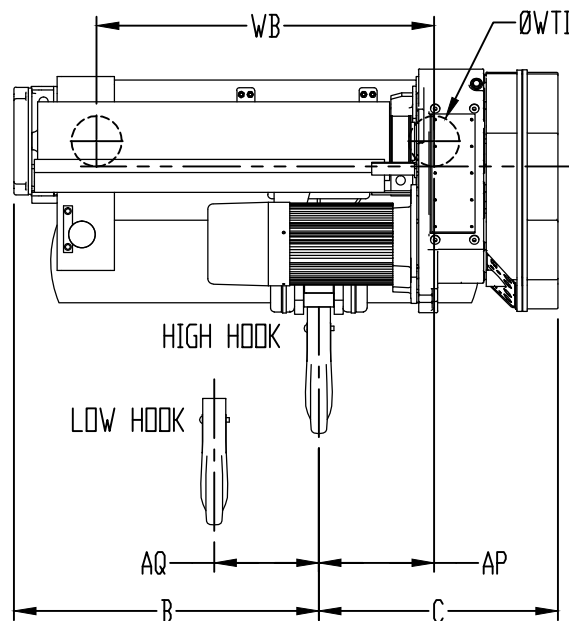
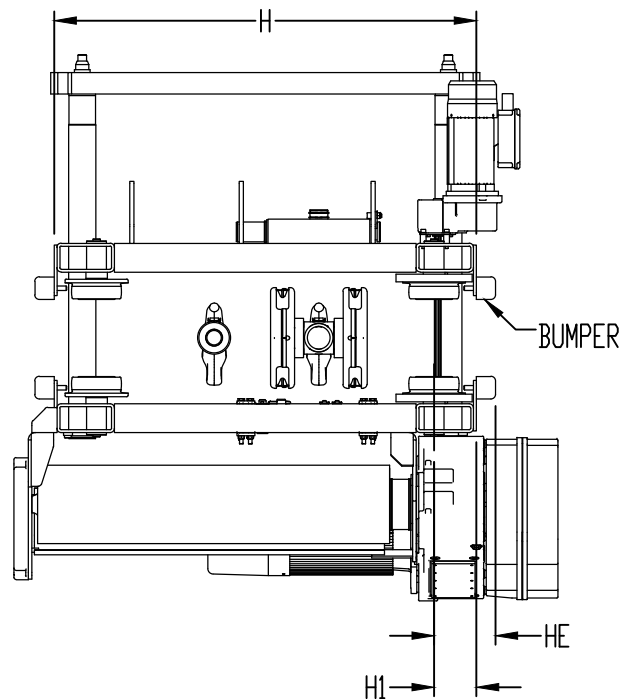
ACTUAL FLANGE WIDTH SETTING (IN)	4.68	5.70	6.90	7.90	8.90	9.85	10.80	12.25	12.80	13.78	14.80	15.75	16.70	17.75	18.70	19.70
MINIMUM HEADROOM DIMENSION "A" (IN)	32.09	31.77	31.54	31.34	31.24	31.14	31.25	31.42	32.08	33.26	34.49	35.63	36.77	38.02	39.16	40.35

FLANGE ADJUSTMENT RANGES
4.680' - 5.700'
5.701' - 7.900'
7.901' - 9.850'
9.851' - 12.250'
12.251' - 15.750'
15.751' - 19.700'

DIMENSIONAL DATA	
B	33.03 INCH
C	26.54 INCH
D*	28.83 INCH
E*	31.08 INCH
Q	15.97 INCH
W*	28.20 INCH
WTD	5.51 INCH
WB	37.01 INCH
H	46.30 INCH
H1	4.65 INCH
HE	6.73 INCH
XB	1.46 INCH
AP	12.64 INCH
AQ	7.76 INCH

NOTE:

* DIMENSIONS D, E, AND W ARE SHOWN FOR A BEAM FLANGE WIDTH 8.00 INCHES. THESE DIMENSIONS ARE MEASURED FROM CAD MODELS AND CONSIDERED AS APPROXIMATE VALUES.



TECHNICAL DATA	
HOIST PLATFORM	GN WIRE ROPE HOIST
HOIST MODEL NUMBER	YKC-L09-L10-033S420-2
RATED LIFT CAPACITY	9 AND 10 U.S. TON
ACTUAL LIFT DISTANCE	33FT (10.1 M)
MAXIMUM LIFTING SPEED	20 FT/MIN (6.1 M/MIN)
REEVING STYLE	4-PART SINGLE-REEVED
HOIST CONTROL TYPE	TWO-SPEED
HOIST SUSPENSION TYPE	UNDERHUNG MOTORIZED TROLLEY
TROLLEY TRAVERSE SPEED	80 FT/MIN (24.38 M/MIN)
TROLLEY CONTROL TYPE	TWO-SPEED
TROLLEY BUMPERS	INCLUDED
HOIST DUTY CLASSIFICATION	H4/M5
OPERATING VOLTAGE	460V/3PH/60HZ
CONTROL VOLTAGE	120VAC
HOIST MOTOR (MAIN) HP	14.80
TROLLEY MOTOR HP	0.9
TROLLEY MOTOR QTY	1
BASE WEIGHT OF HOIST (LBS)	1752.18

This drawing is intended for preliminary reference use only and depicts general clearance dimensions based on standard product configuration. If your application includes specific critical dimensional constraints it is recommended that an Approval Drawing be required at time of order.

Dimensional Units
INCH



Third Angle Projection

Modeled: 05/07/2018 SRCCE

Drawn: 05/07/2018 SRCCE

Approved:

Design Authority: -

Original project: -

Original Scale: 1:20



Columbus McKinnon Corporation
Hoist & Rigging - Americas
Getzville, NY USA

Description:
CLEARANCE DIAGRAM
9 AND 10 TON 33 FT LIFT S4 REEVING 20 FT/MIN

Format: **B** Number: **YKC-L09-L10-033S420-2** Sheet: **1/1**

ECN	Rev.	Description of change	Date	By
-	-	-	-	-
-	-	-	-	-
-	-	-	-	-