

CHAIN HOIST



**FREE
SPARE SET
OF LATCHES**

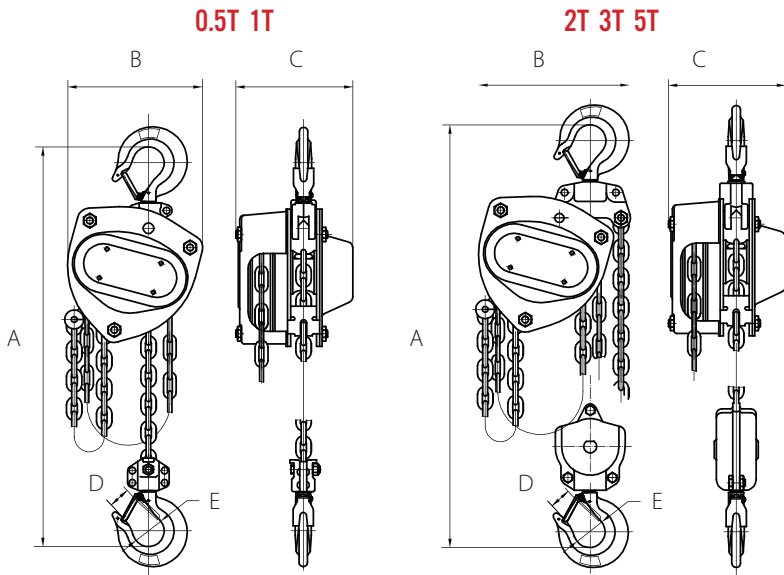
Features

- Stainless Steel Type 304 Construction for Corrosion Resistance
- Fully Enclosed Gearing
- Fully Machined Lift Wheel
- Designed for Lifting or Pulling
- Minimal Load Lifting Effort
- Individual Test Certificate and Serial Number
- Forged Stainless Steel Hooks and Safety Latches
- Stainless Steel Hand & Load Chain
- Weather Proof Load Holding Brake
- All Gears and Shafts Run on Roller Bearings
- Stainless Steel Riveted ID Tags
- Low Headroom

Standards - CE, AS1418.2, ASME B30.21, ASME B30.16



OZSS010-CH



| | | OZSS005-CH | OZSS010-CH | OZSS020-CH | OZSS030-CH* | OZSS050-CH* |
|-------------------------------|---|------------|------------|------------|-------------|-------------|
| Capacity (tons) | | 0.5 | 1 | 2 | 3 | 5 |
| Falls of Chain | | 1 | 1 | 2 | 2 | 3 |
| Effort to Lift S.W.L (lbs) | | 67 | 67 | 74 | 74 | 74 |
| Loadchain Diameter (mm) | | 7 | 7 | 7 | 9 | 9 |
| Dimensional Information (in) | A | 14.8 | 14.8 | 16.73 | 22.24 | 27.95 |
| | B | 6.77 | 6.77 | 7.56 | 9.06 | 14.37 |
| | C | 5.94 | 5.94 | 5.94 | 6.81 | 7.44 |
| Hook-opening, upper & lower | D | 1.02 | 1.02 | 1.33 | 1.53 | 1.61 |
| | E | 1.57 | 1.57 | 1.96 | 2.16 | 2.55 |
| Net Weight of Head Only (lbs) | | 16.3 | 16.3 | 22.9 | 34.7 | 66.1 |

*Chain Hoists 3 Ton and 5 Ton available. Special order.

Standard Lift: 10, 15, 20, 30 ft.

We also do custom rigging

Dimensions are for reference only and subject to change without notice.



WARNING
CANCER AND REPRODUCTIVE HARM
 Some products may contain chemicals known to the state of California to cause cancer, or birth defect or reproductive harm.
www.P65Warning.ca.gov