



SH3

Wire rope hoists

Spare parts list

EN



Partner of Experts

STAHL
CraneSystems 

Table of contents

SH 3

Table of contents

12/2H33-MF hoist motor	4
4H33-MF hoist motor	6
4HS3-MF hoist motor	8
12/2H42-MF hoist motor	10
4H42-LS hoist motor	12
4H42-MF hoist motor	14
Intermediate gear	16
Gear	17
Rope drum	18
Stationary rope suspension	20
Rope suspension	21
H86-1 bottom hook block	22
H122-1 bottom hook block	23
T100-2 hook traverse	24
H125-2, H126-2 bottom hook block	25
H100-4 bottom hook block	26
H125-4, H126-4 bottom hook block	27
Terminal box	29
Control	30
Standard control pendant	30
KE-S3 trolley	31
OE-S04 trolley	32
DKE-S4. articulated trolley	33

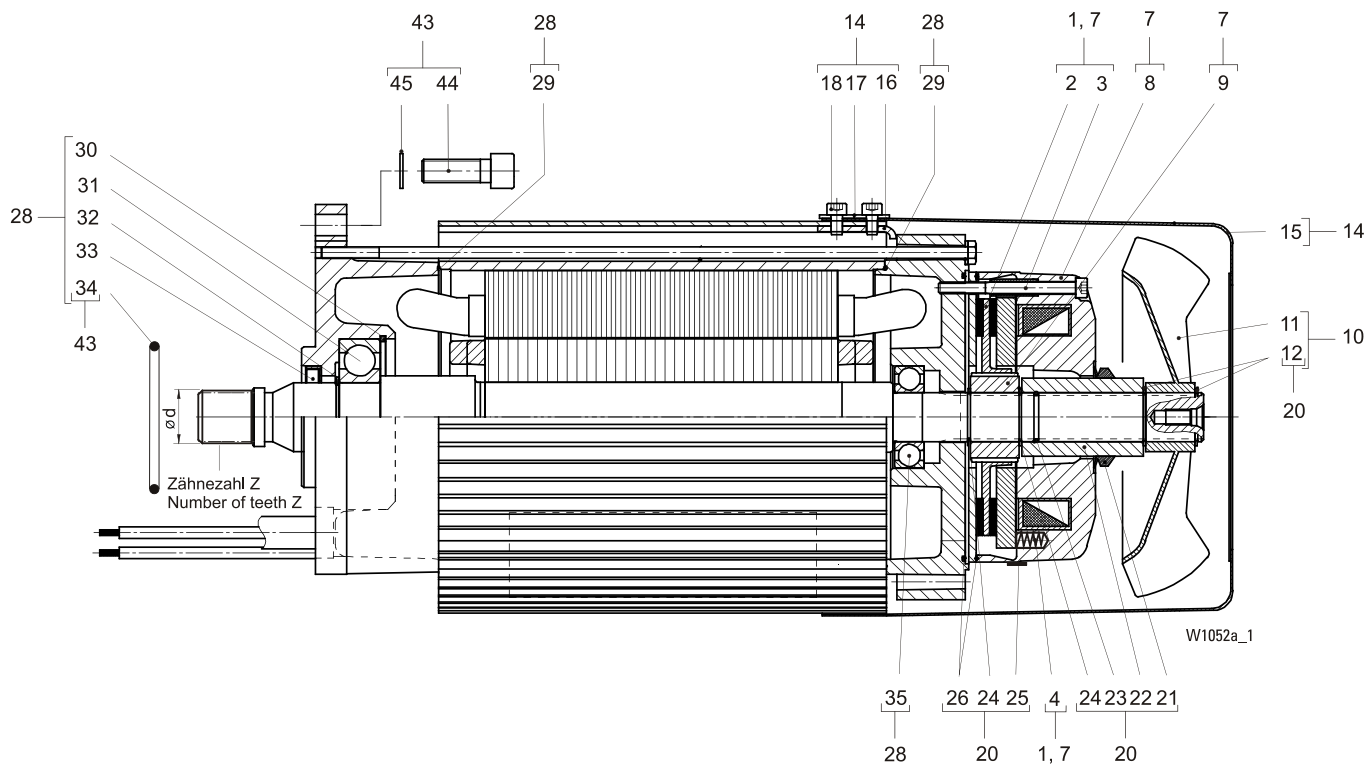
Replacement and repairs may only be carried out by trained personnel.

Please always state hoist serial number.

Spare parts list SH 3

Spare parts list SH 3

12/2H33-MF hoist motor



Item	Part no.	Qty.	Description	Specification	Comment
	A70001572	1	Motor	SH 30...-12 M=0.97 mm, Z=11	Pos.43 1)
	A70001574	1	Motor	SH 30...-16, 20 M=1.45 mm, Z=9	Pos.43 1)
	A70001578	1	Motor	SH 30...-25, 32 M=2.1 mm, Z=9	Pos.43 1)
	A70001580	1	Motor	SH 30...-7, 9, 10, 40 M=2.1 mm, Z=13	Pos.43 1)
1	A70024431	1	Brake rotor spare part set		Pos.2 – 4, 20
7	A2327019650	1	Brake compl.	100 V / 180 – 460 V, 50 Hz	Pos.1, 8 – 9, 20 2)
7	A2327020650	1	Brake compl.	130 V / 500 – 525 V, 50 Hz	Pos.1, 8 – 9, 20 2)
7	A2327021650	1	Brake compl.	150 V / 575 – 690 V, 50 Hz	Pos.1, 8 – 9, 20 2)
9	A5674830	1	Hub		
10	A2327000650	1	Fan wheel set		Pos.11 – 12
11	1	Fan wheel		
12	2	Retaining ring	25×1.2 DIN 471	
14	A2327001650	1	Fan cover set		Pos.15 – 18
15	1	Fan cover		
16	2	Tread block		
17	4	Safety washer	S6	
18	4	Screw	M6×10 DIN 7984-8.8	
20	A2327006650	1	Sealing set brake		Pos.12, 21 – 26
21	1	Sealing ring V-seal		
22	1	Bushing		
23	1	Round sealing ring	21.3×2.4	
24	4	Retaining ring	25×1.2 DIN 471	
25	1	Plug		
26	2	Round sealing ring	118×2	
28	A2327002650	1	Bearings and sealings		Pos.29 – 35
29	2	Round sealing ring	145.2×1.78 DIN 3771	
30	1	Retaining ring	80×2.5 DIN 472	

01-c.2.6:11-en-12.1

Spare parts list SH 3

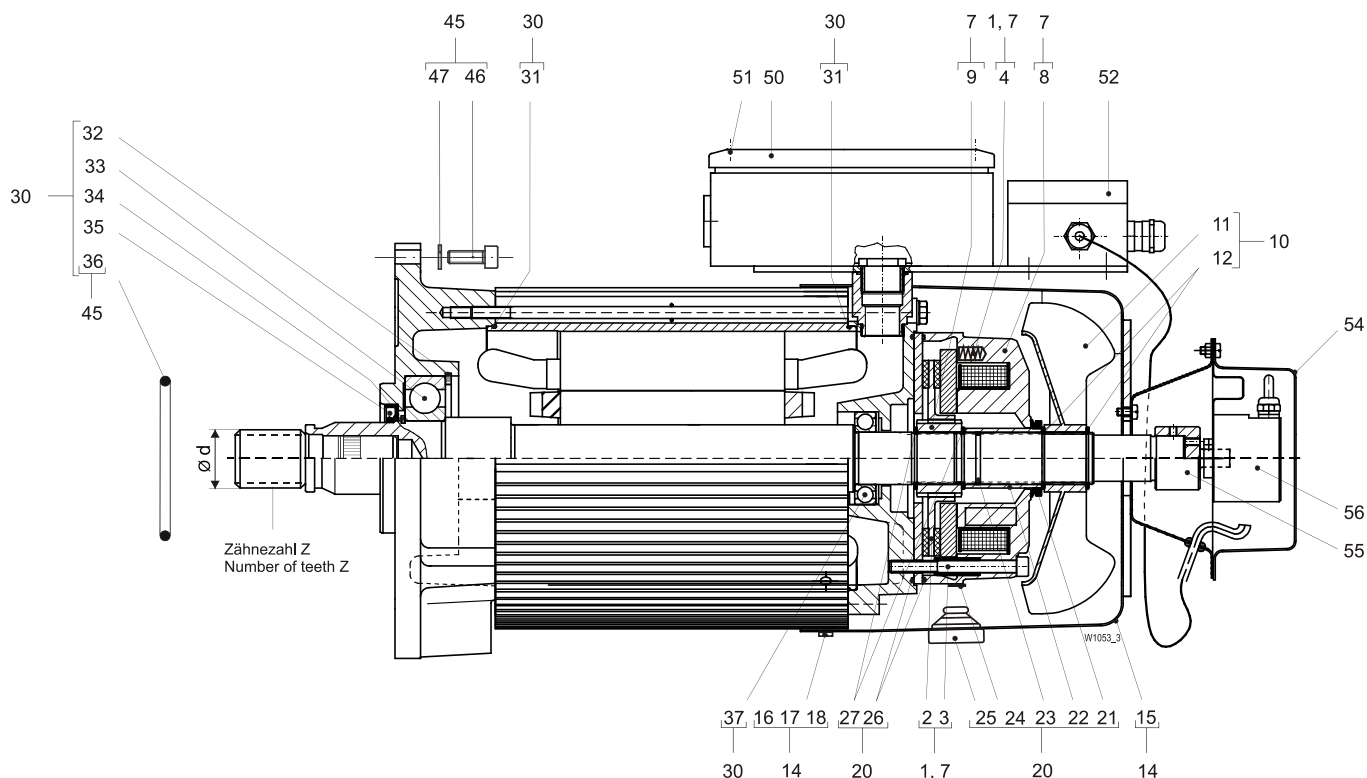
Item	Part no.	Qty.	Description	Specification		Comment
31	1	Rolling bearing	6307-2RS	DIN 625	3)
32	1	Retaining ring	35×1.5	DIN 471	
33	1	Shaft seal	A32×52×7	DIN 3760	3)
34	1	Round sealing ring	70×2	NB70	
35	1	Rolling bearing	6205-2RS	DIN 625	
43	A2327003650	1	Gear motor screws			Pos.34, 44 – 45
44	4	Screw	M10×30	ISO 4762	
45	4	Safety washer	S10		

- 1) Please state operating voltage, frequency and wire rope hoist type
- 2) Coil voltage / operating voltage motor
- 3) Only replaceable at Z≤9

Spare parts list

SH 3

4H33-MF hoist motor



Item	Part no.	Qty.	Description	Specification	Comment
	A70001593	1	Motor	SHF 30...-12 M=0.97 mm, Z=11	Pos.45 1)
	A70001598	1	Motor	SHF 30...-16, 20 M=1.45 mm, Z=9	Pos.45 1)
	A70001602	1	Motor	SHF 30...-25, 32 M=2.1 mm, Z=9	Pos.45 1)
	A70001604	1	Motor	SHF 30...-7, 9, 10, 40 M=2.1 mm, Z=13	Pos.45 1)
1	A70024431	1	Brake rotor spare part set		Pos.2 – 4, 20
7	A2327034650	1	Brake compl.	180 V / 380 – 415 V, 100 Hz	Pos.1, 8 – 9, 20 2)
9	A5674830	1	Hub		
10	A2327000650	1	Fan wheel set		Pos.11 – 12
11	1	Fan wheel		
12	2	Retaining ring	25x1.2 DIN 471	
14	A2327013650	1	Fan cover set		Pos.15 – 18
15	1	Fan cover		
16	4	Screw	M6x10 DIN 7984-8.8	
17	4	Safety washer	S6	
18	4	Tread block		
20	A2327006650	1	Sealing set brake		Pos.21 – 27
21	1	Sealing ring V-seal		
22	1	Bushing		
23	1	Round sealing ring	21.3x2.4	
24	1	Plug		
25	1	Plug		
26	1	Round sealing ring	118x2	
27	2	Retaining ring	25x1.2 DIN 471	
30	A2327002650	1	Bearings and sealings		Pos.31 – 37
31	2	Round sealing ring	145.2x1.78 DIN 3771	
32	1	Retaining ring	80x1.5 DIN 472	
33	1	Rolling bearing	6307-2RS DIN 625	3)
34	1	Retaining ring	35x1.5 DIN 471	
35	1	Shaft seal	A32x52x7 DIN 3760	3)

01-02.6:11-en-12.1

Spare parts list SH 3

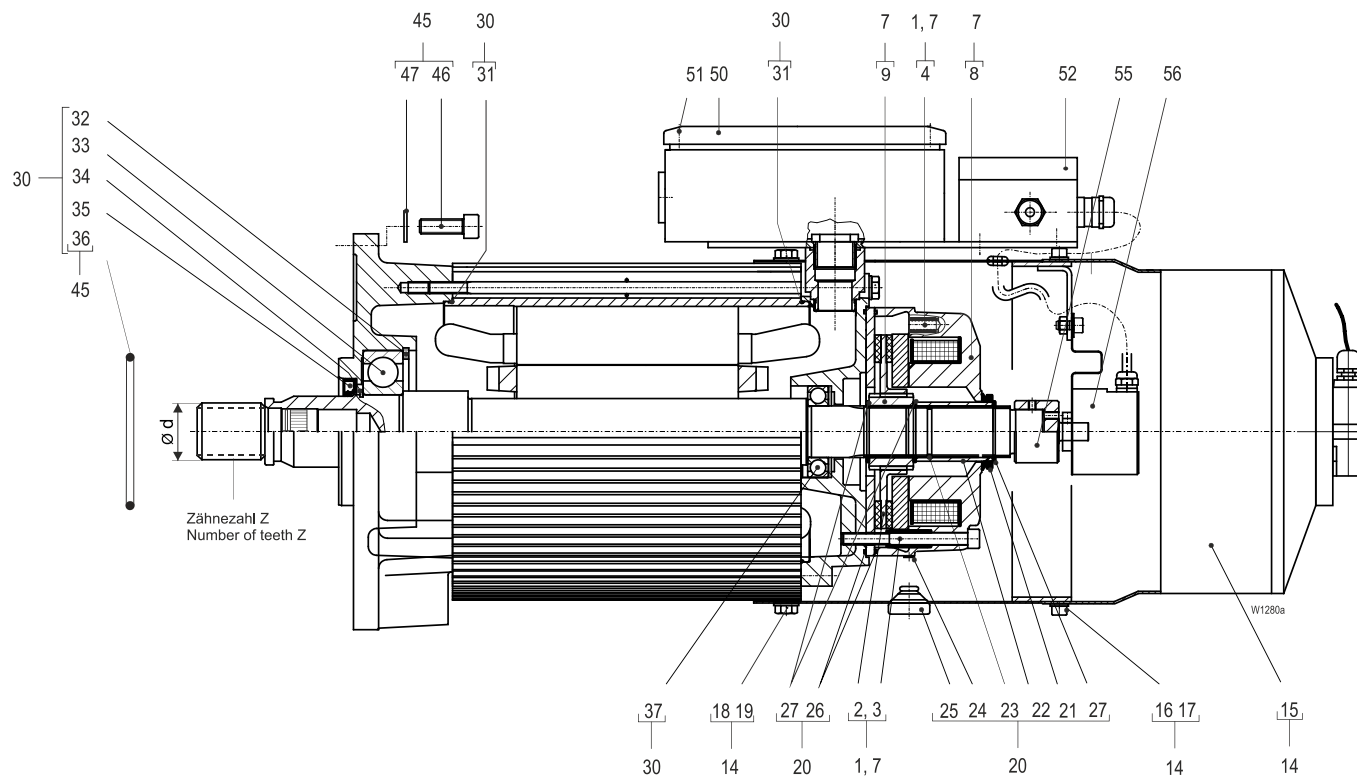
Item	Part no.	Qty.	Description	Specification		Comment
36	1	Round sealing ring	70×2	NB70	
37	1	Rolling bearing	6205-2RS	DIN 625	
45	A2327003650	1	Gear motor screws			Pos.36, 46 – 47
46	4	Screw	M10×30	ISO 4762	
47	4	Safety washer	S10		
50	A2327017650	1	Terminal box cover			Pos.51
51	4	Screw	M6×20	ISO 1207	
52	A5675560	1	Encoder connection set			
54	A5675550	1	Cover encoder			
55	A2427020650	1	Shaft extension set	MF10		
56	A2727083650	1	Encoder set	600 ppr HTL	Standard	
56	A2727084650	1	Encoder set	1024 ppr HTL		

- 1) Please state operating voltage, frequency and wire rope hoist type
- 2) Coil voltage / operating voltage motor
- 3) Only replaceable at Z≤9

Spare parts list

SH 3

4HS3-MF hoist motor



Item	Part no.	Qty.	Description	Specification	Comment
	A70001605	1	Motor	SHF 30..-20 M=1.45 mm, Z=9	Pos.45 1)
	A70001608	1	Motor	SHF 30..-25, 32 M=2.1 mm, Z=9	Pos.45 1)
	A70001610	1	Motor	SHF 30..-40 M=2.1 mm, Z=13	Pos.45 1)
1	A2327044650	1	Brake rotor spare part set		Pos.2 – 4, 9, 20
7	A2427008650	1	Brake compl.	170 – 216 V / 400 – 500 V, 50 Hz	Pos.1, 8 – 9, 20 2)
9	1	Hub		
14	A2427011650	1	Forced ventilation		Pos.15 – 19
15	1	Fan cover		
16	4	Screw	M6×10 ISO 4762	
17	4	Safety washer	A6.4 DIN 6797	
18	4	Screw	M6×10 EN 24017	
19	4	Safety washer	A6.4 DIN 6797	
20	A2427010650	1	Sealing set brake		Pos.21 – 27
21	1	Sealing ring V-seal		
22	1	Bushing		
23	1	Round sealing ring	21.3×2.4	
24	1	Plug		
25	1	Plug		
26	2	Round sealing ring	142.2×1.78 NBR70	
27	3	Retaining ring	25×1.2 DIN 471	
30	A2427013650	1	Bearings and sealings		Pos.31 – 37
31	2	Round sealing ring	145.2×1.78 NB70	
32	1	Retaining ring	80×2.5 DIN 472	
33	1	Rolling bearing	6307-2Z/C3/HT	
34	1	Retaining ring	35×1.5 DIN 471	
35	1	Shaft seal	AS32×52×7 Viton	
36	1	Round sealing ring	70×2 NB70	
37	1	Rolling bearing	6307-2Z/C3/HT	
45	A2427014650	1	Gear motor screws		Pos.36, 46 – 47
46	4	Screw	M10×30 ISO 4762	

01-0.2.6.11-en-12.1

Spare parts list SH 3

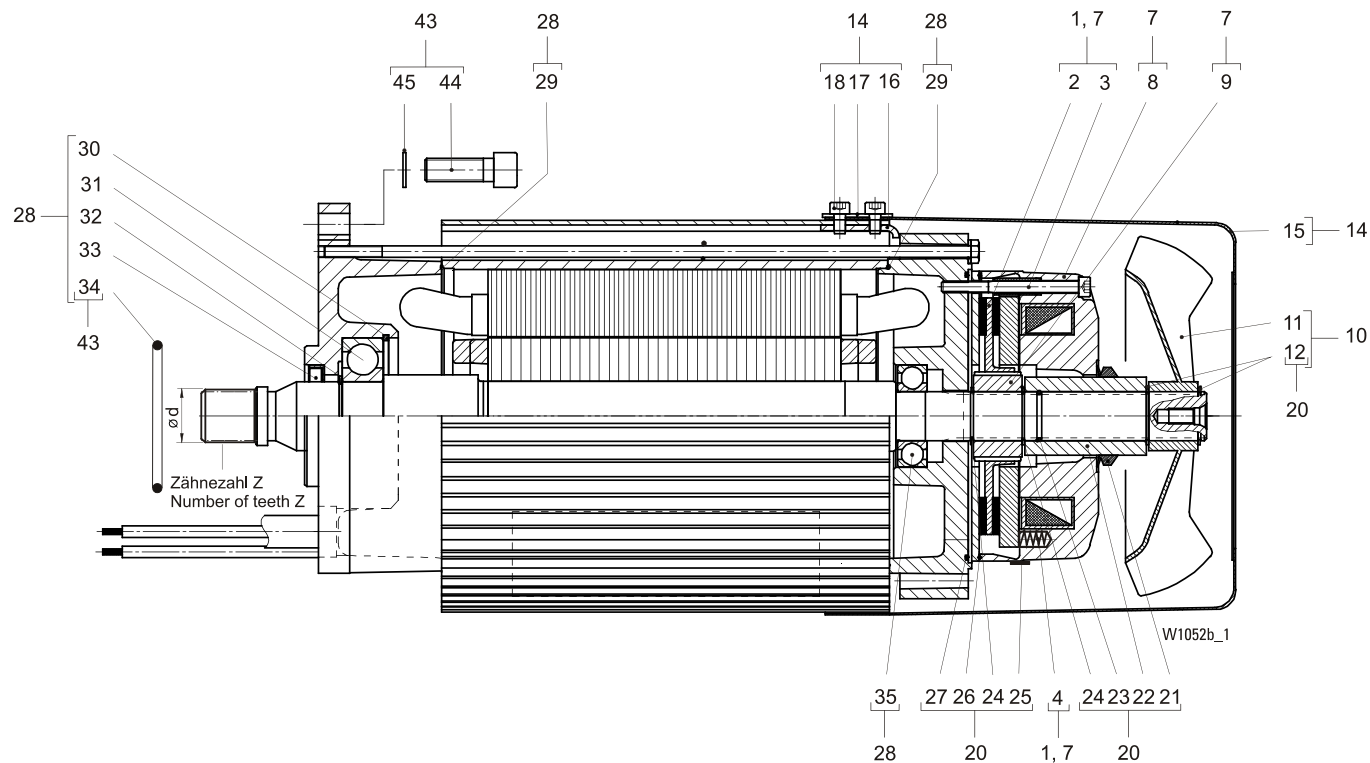
Item	Part no.	Qty.	Description	Specification	Comment
47	4	Safety washer	S10	
50	A2427016650	1	Terminal box cover		Pos.51
51	4	Screw	M6×20 ISO 1207-4.8	
52	A5675560	1	Encoder connection set		
55	A2427020650	1	Shaft extension set	MF10	
56	A70006916	1	Encoder set	600 ppr HTL Standard	
56	A70006925	1	Encoder set	1024 ppr HTL	

- 1) Please state operating voltage, frequency and wire rope hoist type
- 2) Coil voltage / operating voltage motor

Spare parts list

SH 3

12/2H42-MF hoist motor



Item	Part no.	Qty.	Description	Specification	Comment
	A70001637	1	Motor	SH 30..-25, 32 M=2.1 mm, Z=9	Pos.43 1)
	A70001640	1	Motor	SH 30..-40, 50 M=2.1 mm, Z=13	Pos.43 1)
1	A2327043650	1	Brake rotor spare part set		Pos.2 – 4, 20
7	A2327024650	1	Brake compl.	100 V / 180 – 460 V, 50 Hz	Pos.1, 8 – 9, 20 2)
7	A2327025650	1	Brake compl.	130 V / 500 – 525 V, 50 Hz	Pos.1, 8 – 9, 20 2)
7	A2327026650	1	Brake compl.	150 V / 575 – 690 V, 50 Hz	Pos.1, 8 – 9, 20 2)
9	A5674840	1	Hub		
10	A2327000650	1	Fan wheel set		Pos.11 – 12
11	1	Fan wheel		
12	2	Retaining ring	25×1.2 DIN 471	
14	A2327001650	1	Fan cover set		Pos.15 – 18
15	1	Fan cover		
16	2	Tread block		
17	4	Safety washer	S6	
18	4	Screw	M6×10 DIN 7984-8.8	
20	A2327006650	1	Sealing set brake		Pos.21 – 27
21	1	Sealing ring V-seal		
22	1	Bushing		
23	1	Round sealing ring	21.3×2.4	
24	4	Retaining ring	25×1.2 DIN 471	
25	1	Plug		
26	1	Round sealing ring	142×2	
27	1	Round sealing ring	140×1.5	
28	A2327002650	1	Bearings and sealings		Pos.29 – 35
29	2	Round sealing ring	145.2×1.78 DIN 3771	
30	1	Retaining ring	80×2.5 DIN 472	
31	1	Rolling bearing	6307-2RS DIN 625	3)
32	1	Retaining ring	35×1.5 DIN 471	
33	1	Shaft seal	A32×52×7 DIN 3760	3)
34	1	Round sealing ring	70×2 NB70	

Spare parts list SH 3

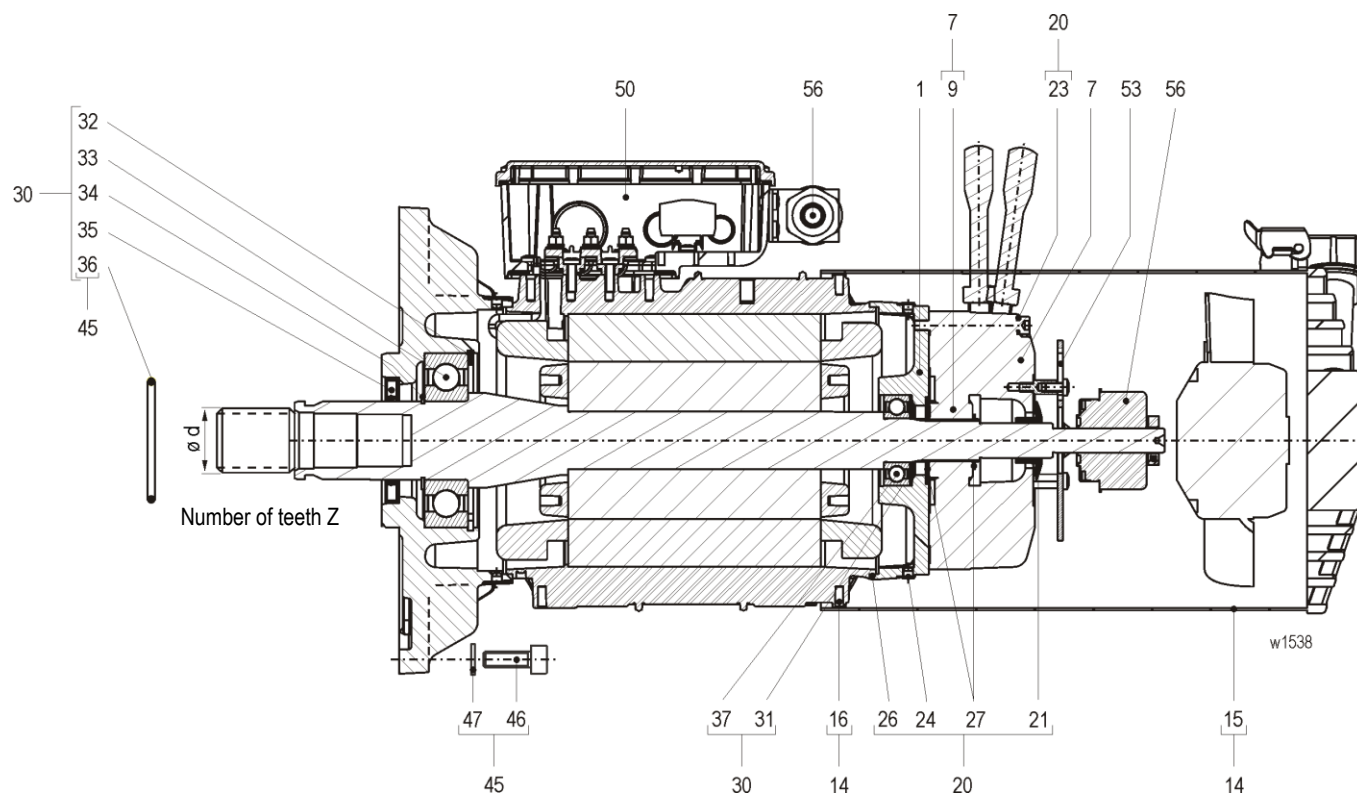
Item	Part no.	Qty.	Description	Specification		Comment
35	1	Rolling bearing	6205-2RS	DIN 625	
43	A2327003650	1	Gear motor screws			Pos.34, 44 – 45
44	4	Screw	M10×30	ISO 4762	
45	4	Safety washer	S10		

- 1) Please state operating voltage, frequency and wire rope hoist type
- 2) Coil voltage / operating voltage motor
- 3) Only replaceable at Z≤9

Spare parts list

SH 3

4H42-LS hoist motor



Item	Part no.	Qty.	Description	Specification	Comment
	A70070741	1	Motor	SHF 30..-20 M=1.45 mm, Z=9	Pos.45 1)
	A70070742	1	Motor	SHF 30..-25, 32 M=2.1 mm, Z=9	Pos.45 1)
	A70070743	1	Motor	SHF 30..-40 M=2.1 mm, Z=13	Pos.45 1)
1	A70070233	1	Brake rotor spare part set		Pos.20
7	A70070209	1	Brake compl.	104 – 120 V / 230 – 690 V, 50 Hz	Pos.1, 9, 20 2)
7	A70070210	1	Brake compl.	180 – 207 V / 400 – 440 V, 50 Hz	Pos.1, 9, 20 2)
7	A70070219	1	Brake compl.	104 – 120 V / 230 – 690 V, 50 Hz HRB	Pos.1, 9, 20 2)
7	A70070220	1	Brake compl.	180 – 207 V / 400 – 440 V, 50 Hz HRB	Pos.1, 9, 20 2)
9	A5674830	1	Hub		
14	A70070159	1	Forced ventilation		Pos.15 – 16
15	1	Fan cover		
16	2	Screw	M5×8 BN5950	
20	A70070166	1	Sealing set brake		Pos.21 – 27
21	1	Seal	VLS-17×30	
23	3	Sealing washer	D6.7×10×1	
24	1	Plug		
26	1	Round sealing ring	122×2 NM910	
27	2	Retaining ring	25×1.2 DIN 471	
30	A70070162	1	Bearings and sealings		Pos.31 – 37
31	2	Bearing shim	42×51×0.5	
32	1	Retaining ring	80×2.5 DIN 472	
33	1	Rolling bearing	6307-2Z DIN 625	3)
34	1	Retaining ring	35×1.5 DIN 471	
35	1	Shaft seal	AS30×52×7 DIN 3760	3)
36	1	Round sealing ring	70×2 NB70	
37	1	Rolling bearing	6205-2RS-PRE DIN 625	
45	A2327003650	1	Gear motor screws		Pos.36, 46 – 47
46	4	Screw	M10×30 ISO 4762	
47	4	Safety washer	S10	

ol-c.2.6.11-en-12.1

Spare parts list SH 3

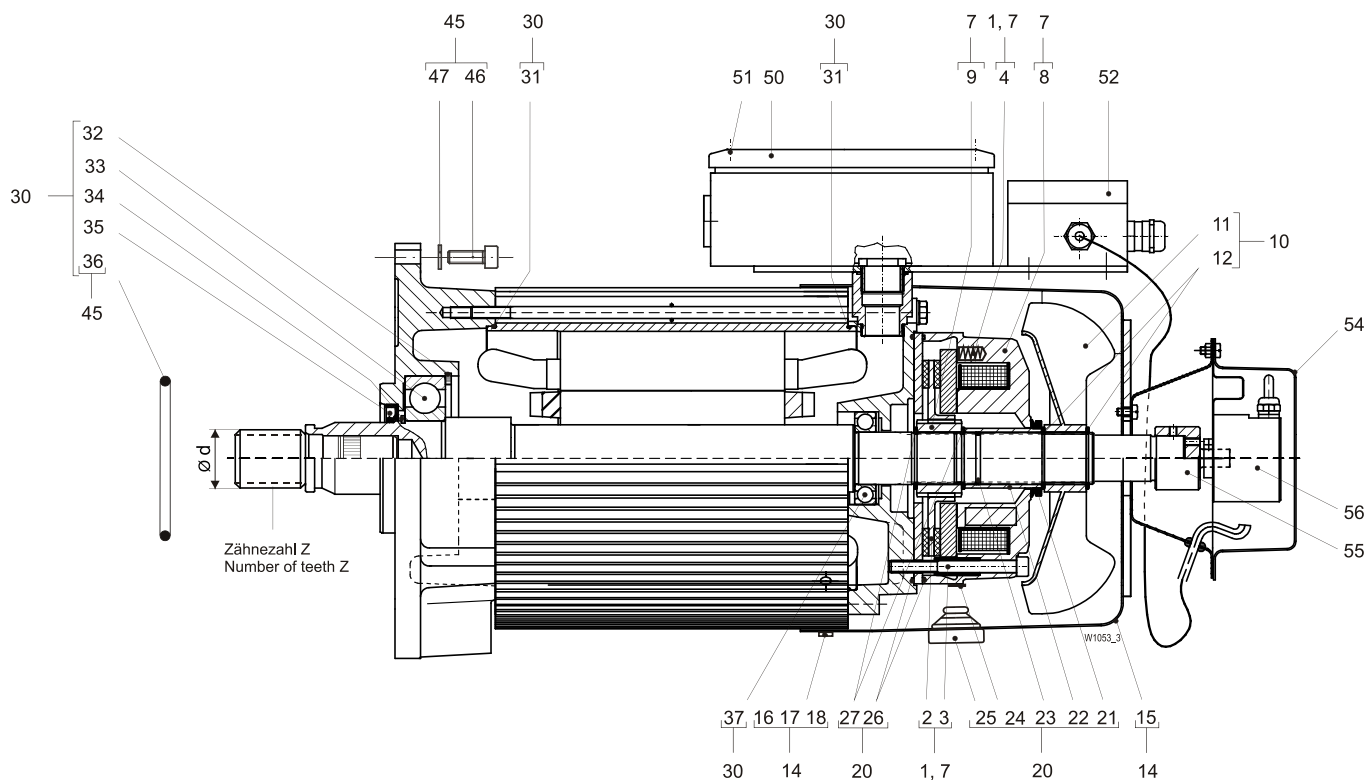
Item	Part no.	Qty.	Description	Specification	Comment
50	A70069688	1	Terminal box complete		
53	A70070155	1	Encoder connection set		
56	A70069169	1	Encoder	1024 ppr HTL Standard	

- 1) Please state operating voltage, frequency and wire rope hoist type
- 2) Coil voltage / operating voltage motor
- 3) Only replaceable at Z≤11

Spare parts list

SH 3

4H42-MF hoist motor



Item	Part no.	Qty.	Description	Specification	Comment
	A70001650	1	Motor	SHF 30...-25, 32 M=2.1 mm, Z=9	Pos.45 1)
	A70001661	1	Motor	SHF 30...-40, 50 M=2.1 mm, Z=13	Pos.45 1)
	A70001663	1	Motor	SHF 30...-63 M=2.5 mm, Z=16	Pos.45 1)
1	A2327043650	1	Brake rotor spare part set		Pos.2 – 4, 20
7	A2327022650	1	Brake compl.	180 V / 380 – 415 V, 100 Hz	Pos.1, 8 – 9, 20 2)
7	A2327023650	1	Brake compl.	240 V / 500 – 525 V, 100 Hz	Pos.1, 8 – 9, 20 2)
9	A5674840	1	Hub		
10	A2327000650	1	Fan wheel set		Pos.11 – 12
11	1	Fan wheel		
12	2	Retaining ring	25×1.2 DIN 471	
14	A2327013650	1	Fan cover set		Pos.15 – 18
15	1	Fan cover		
16	4	Screw	M6×10 DIN 7984	
17	4	Safety washer	S6	
18	4	Tread block		
20	A2327006650	1	Sealing set brake		Pos.21 – 27
21	1	Sealing ring V-seal		
22	1	Bushing		
23	1	Round sealing ring	21.3×2.4	
24	1	Plug		
25	1	Plug		
26	1	Round sealing ring	118×2	
27	2	Retaining ring	25×1.2 DIN 471	
30	A2327002650	1	Bearings and sealings		Pos.31 – 37
31	2	Round sealing ring	145.2×1.78 DIN 3771	
32	1	Retaining ring	80×1.5 DIN 472	
33	1	Rolling bearing	6307-2RS DIN 625	3)
34	1	Retaining ring	35×1.5 DIN 471	
35	1	Shaft seal	A32×52×7 DIN 3760	3)

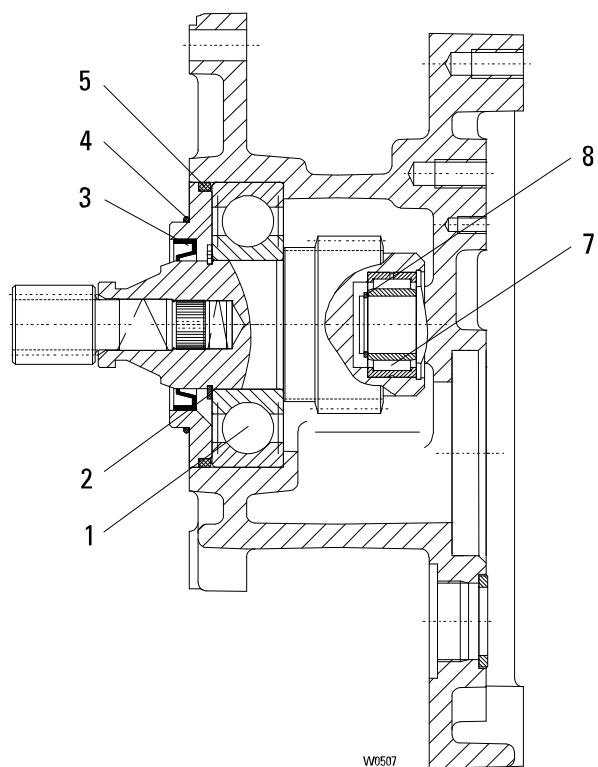
Spare parts list SH 3

Item	Part no.	Qty.	Description	Specification		Comment
36	1	Round sealing ring	70×2	NB70	
37	1	Rolling bearing	6205-2RS	DIN 625	
45	A2327003650	1	Gear motor screws			Pos.36, 46 – 47
46	4	Screw	M10×30	ISO 4762	
47	4	Safety washer	S10		
50	A2327017650	1	Terminal box cover			Pos.51
51	4	Screw	M6×20	ISO 1207	
52	A5675560	1	Encoder connection set			
54	A5675550	1	Cover encoder			
55	A2427020650	1	Shaft extension set	MF10		
56	A2727083650	1	Encoder set	600 ppr HTL	Standard	
56	A2727084650	1	Encoder set	1024 ppr HTL		

- 1) Please state operating voltage, frequency and wire rope hoist type
- 2) Coil voltage / operating voltage motor
- 3) Only replaceable at Z≤9

Spare parts list SH 3

Intermediate gear

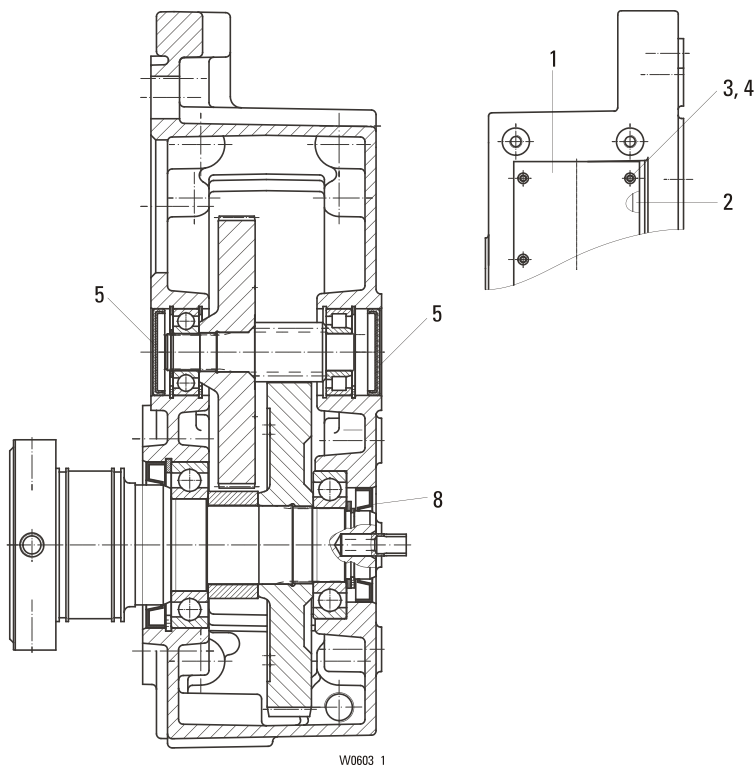


Item	Part no.	Qty.	Description	Specification	Comment
	A2427037300	1	Intermediate gear	SH 30..-10	
	A2427037300	1	Intermediate gear	SH 30..-9	
	A2427040300	1	Intermediate gear	SH 30..-7	
1	A5608290	1	Rolling bearing	6309-27	DIN 625
2	A5061010	1	Retaining ring	45x1.75	DIN 471
3	A5610260	1	Shaft seal	45x60x8 NB	DIN 3760
4	A5159530	1	Round sealing ring	70x2	NB70
5	A5159700	1	Round sealing ring	90x4	NB70
7	A5609950	1	Rolling bearing	NA 4904	DIN 5617
8	A5071220	1	Snap ring	SW 20	

Spare parts list

SH 3

Gear



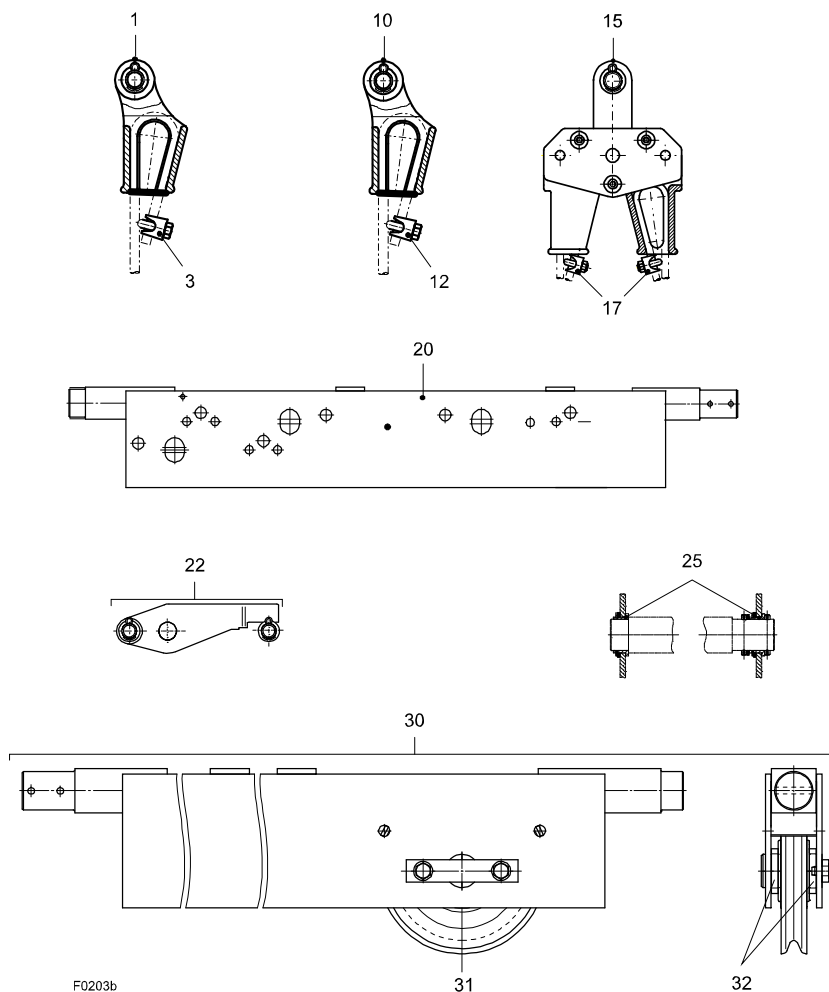
Item	Part no.	Qty.	Description	Specification	Comment
	A2327000300	1	Gear	SH(F) 30..-12	12/2H.. / 4H..-MF 1)
	A2327000300	1	Gear	SH(F) 30..-7	12/2H.. / 4H..-MF 1)
	A2327001300	1	Gear	SH(F) 30..-16	12/2H.. / 4H..-MF 1)
	A2327001300	1	Gear	SH(F) 30..-9	12/2H.. / 4H..-MF 1)
	A2327002300	1	Gear	SH(F) 30..-20	12/2H.. / 4H..-MF 1)
	A2327002300	1	Gear	SH(F) 30..-10	12/2H.. / 4H..-MF 1)
	A2327003300	1	Gear	SH(F) 30..-25	12/2H.. / 4H..-MF 1)
	A2327004300	1	Gear	SH(F) 30..-32	12/2H.. / 4H..-MF 1)
	A2327005300	1	Gear	SH(F) 30..-40	12/2H.. / 4H..-MF 1)
	A2327006300	1	Gear	SH(F) 30..-50	12/2H.. / 4H..-MF 1)
	A2327007300	1	Gear	SH(F) 30..-63	12/2H.. / 4H..-MF 1)
1	A2327300960	1	Cover		
2	A2327300950	1	Seal		
3	A5008100	8	Screw	M6×16	DIN 6912-8.8
4	A5068380	8	Safety washer	S16	
5	A5180410	2	End cap	47×6.5	
8	A5610270	1	Shaft seal	37×62×9 NB	DIN 3760

1) Gear only available as complete unit except the signed parts. Without gear oil: amount required see operating instruction

Spare parts list
SH 3

Item	Part no.	Qty.	Description	Specification	Comment
40	A70001916	1	End cover		Pos.42
42	4	Screw	M6×20 DIN 7516	
45	A0343004280	1	Bearing plate	Stationary, suspended	
48	A0343000220	1	Grease box	L2	Pos.49 – 51
48	A0343001220	1	Grease box	L3	Pos.49 – 51
49	A0443200900	2	Screw		
50	4	Screw	M6×16 ISO 4762	
51	4	Safety washer	S6	

Stationary rope suspension



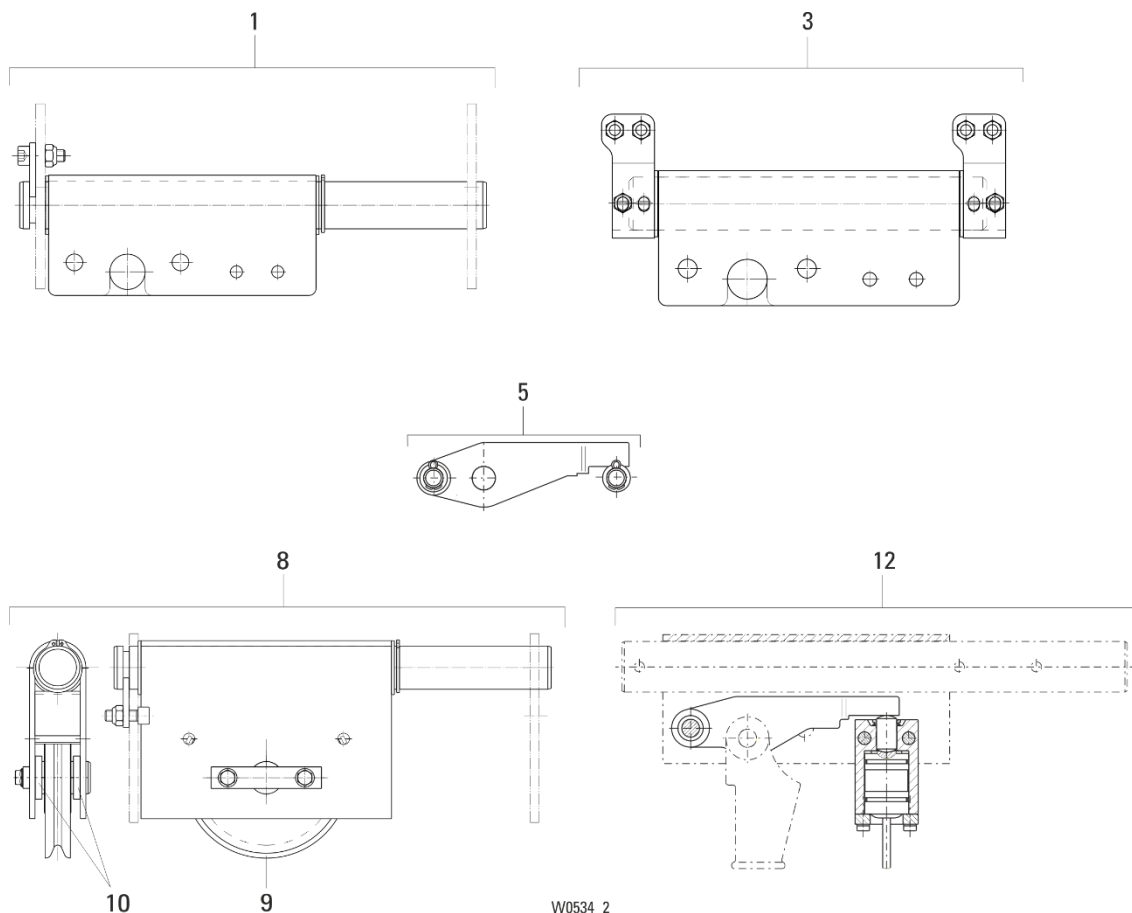
Item	Part no.	Qty.	Description	Specification	Comment
1	A0343002480	1	Clamp	Rope D 6 – 6.5 mm	Pos.3
3	A5179930	1	Wire rope clamp	Size 6	
10	A0343003480	1	Clamp	Rope D 7 – 7.5 mm	Pos.12
12	A5170050	1	Wire rope clamp	Size 8	
15	A0343000230	1	Rocking bar		Pos.17
17	A5179930	2	Wire rope clamp	Size 6	
20	A0343000280	1	Suspension traverse	L2	
20	A0343001280	1	Suspension traverse	L3	
22	A0343007280		Suspension		x)
25	A0343001260		Bushing		x)
30	A0343000270	1	Deflection cross bar	L2 Rope D 6.5 – 7 mm	Pos.31 – 32
30	A0343001270	1	Deflection cross bar	L3 Rope D 6.5 – 7 mm	Pos.31 – 32
30	A0343005270	1	Deflection cross bar	L2 Rope D 5.5 – 6 mm	Pos.31 – 32
30	A0343006270	1	Deflection cross bar	L3 Rope D 5.5 – 6 mm	Pos.31 – 32
31	A0143000530	1	Rope pulley	D 125 mm Rope D 6.5 – 7 mm	
31	A0143012530	1	Rope pulley, intensified	D 125 mm Rope D 6.5 – 7 mm	
31	A0143010530	1	Rope pulley	D 120 mm Rope D 5.5 – 6 mm	
32	A1627700520	2	Bushing	40/30.5/6	

x) Quantity as required

Spare parts list

SH 3

Rope suspension

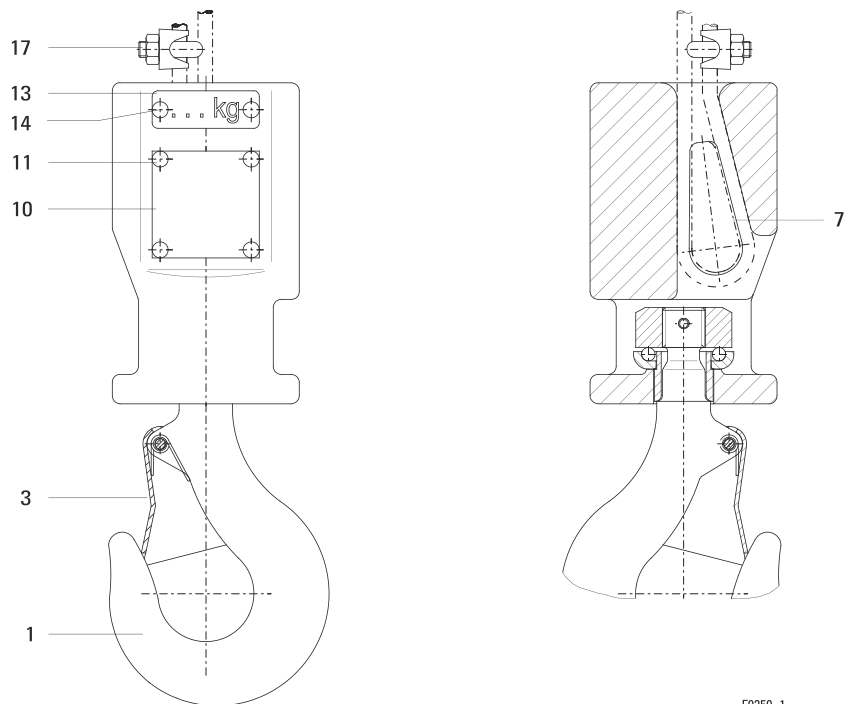


W0534_2

Item	Part no.	Qty.	Description	Specification	Comment
1	A0343008280	1	Suspension	KE-S3, OE-S04 2/1, 4/1	
3	A0343009280	1	Suspension	KE-S3 4/1	
5	A0343007280	1	Suspension		
8	A0343004270	1	Deflection cross bar	KE-S3, OE-S04 Rope D 6.5 – 7 mm	Pos.9 – 10
8	A0343008270	1	Deflection cross bar	KE-S3, OE-S04 Rope D 5.5 – 6 mm	Pos.9 – 10
9	A0143000530	1	Rope pulley	D 125 mm Rope D 6.5 – 7 mm	
9	A0143012530	1	Rope pulley, intensified	D 125 mm Rope D 6.5 – 7 mm	
9	A0143010530	1	Rope pulley	D 120 mm Rope D 5.5 – 6 mm	
10	A1627700520	2	Bushing	40/30.5/6	
12	A0343027830	1	Load sensor	200 – 329 daN LCD1-090	
12	A0343017830	1	Load sensor	330 – 560 daN LCD1-150	
12	A0343028830	1	Load sensor	561 – 589 daN LCD1-200	
12	A0343018830	1	Load sensor	590 – 800 daN LCD1-270	
12	A0343004650	1	Load sensor	250 – 570 daN LCP1-150, SLE3	
12	A0343005650	1	Load sensor	600 – 800 daN LCP1-350, SLE3	

Spare parts list
SH 3

H86-1 bottom hook block

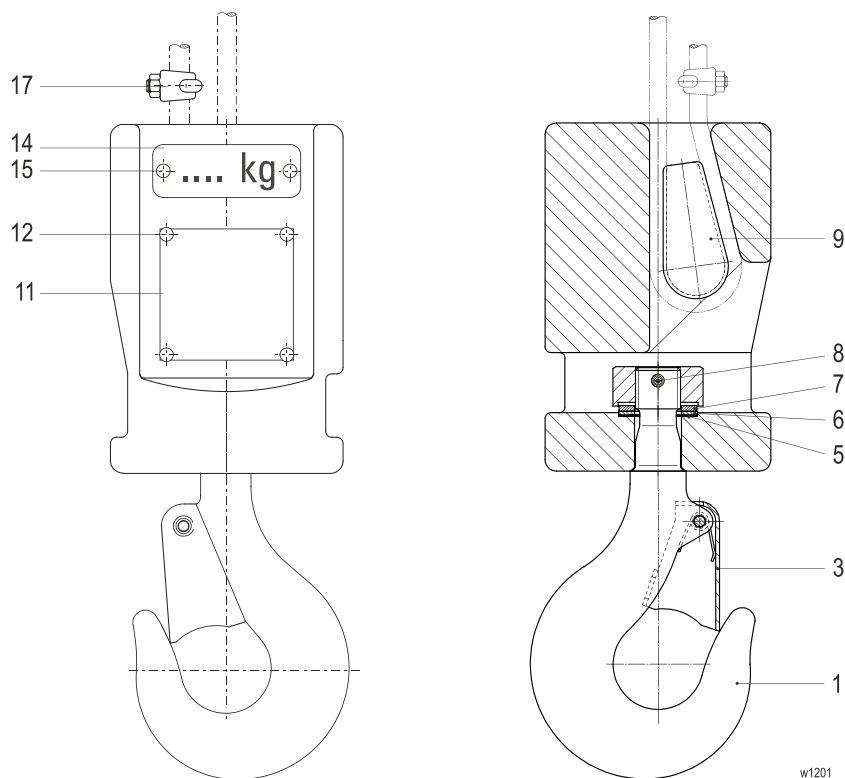


F0250_1

Item	Part no.	Qty.	Description	Specification	Comment
	A0143017590	1	Bottom hook block	H86-1 E-Ha	1)
1	A0143004520	1	Load hook	RSN 025 E-Ha	Pos.3
3	A5210070	1	Hook safety catch		
7	A0343202660	1	Rope wedge		
10	A70001701	2	Name plate set		Pos.11
11	A5078310	4	Blind rivet	3×5	
13	A70001704	2	S.W.L.-sign set	250 kg	Pos.14
13	A70001709	2	S.W.L.-sign set	300 kg	Pos.14
13	A70001710	2	S.W.L.-sign set	320 kg	Pos.14
13	A70001712	2	S.W.L.-sign set	500 kg	Pos.14
14	A5078310	2	Blind rivet	3×5	
17	A5179930	1	Wire rope clamp	Size 6	

1) Please state capacity

H122-1 bottom hook block

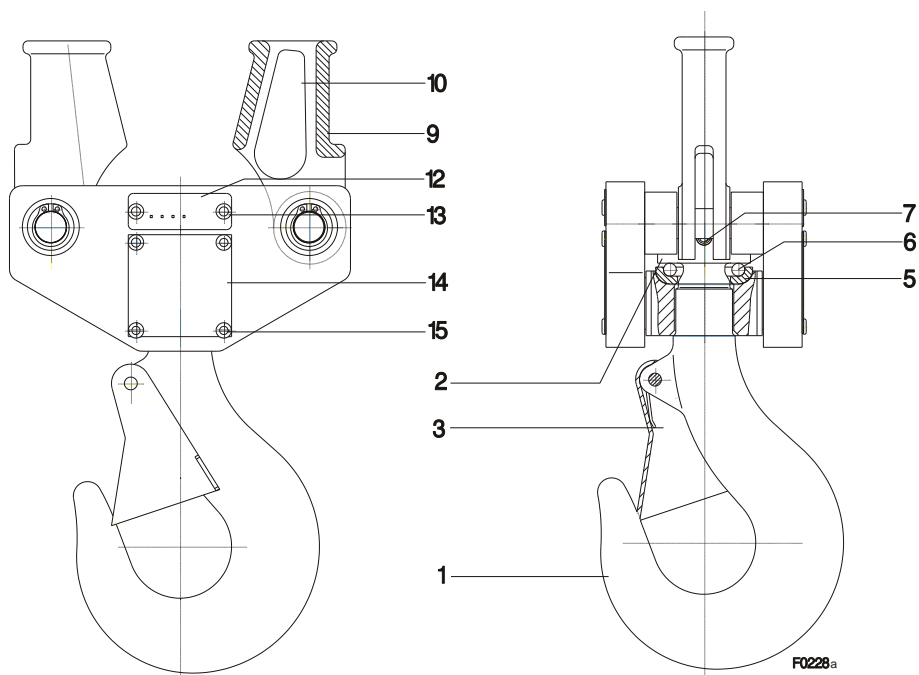


w1201

Item	Part no.	Qty.	Description	Specification	Comment
	A70006719	1	Bottom hook block	H122-1 E-Ha 500 kg	
	A0143018590	1	Bottom hook block	H122-1 E-Ha 630 kg	
	A70006723	1	Bottom hook block	H122-1 E-Ha 750 kg	
	A0143019590	1	Bottom hook block	H122-1 E-Ha 1000 kg	
	A70006731	1	Bottom hook block	H122-1 E-Ha 1250 kg	
	A70006748	1	Bottom hook block	H122-1 E-Ha 1600 kg	
1	A70001746	1	Load hook set	RSN 0.8 E-Ha	Pos.2 – 8
3	A5210080	1	Hook safety catch	RSN 08	
5	1	Disc	CP 2542	
6	A70046202	1	Bearing set	AXK2542	Pos.8
7	1	Disc	CP 3×25×42	
8	A5041090	1	Spring-type straight pin	6×40 ISO 8752	
9	A0143500660	1	Rope wedge		
11	A70001728	2	Name plate set		Pos.12
12	A5078310	4	Blind rivet	3×5	
14	A70001731	2	S.W.L.-sign set	500 kg	Pos.15
14	A70001732	2	S.W.L.-sign set	630 kg	Pos.15
14	A70001738	2	S.W.L.-sign set	750 kg	Pos.15
14	A70001739	2	S.W.L.-sign set	1000 kg	Pos.15
14	A70001742	2	S.W.L.-sign set	1250 kg	Pos.15
14	A70001744	2	S.W.L.-sign set	1600 kg	Pos.15
15	A5078310	2	Blind rivet	3×5	
17	A5170050	1	Wire rope clamp	Size 8	

Spare parts list
SH 3

T100-2 hook traverse

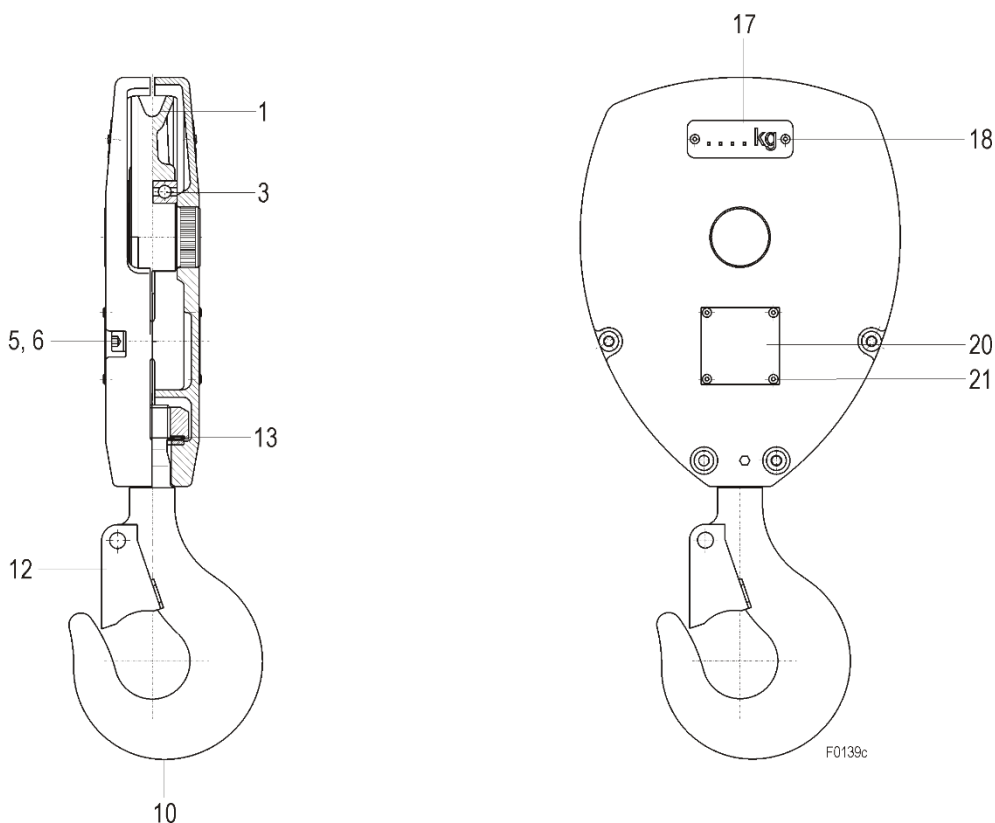


Item	Part no.	Qty.	Description	Specification	Comment
	A0143012560	1	Hook traverse	T100-2 E-Ha	1)
1	A0333001520	1	Load hook	RSN 04 E-Ha	Pos.2 – 7
3	A0432050560	1	Hook safety catch		
5	A0432500550	1	Ball cup		
6	A0432100220	16	Ball		
7	A5041090	1	Spring-type straight pin	6×40	ISO 8752
9	A0343203100	2	Lock for wire rope		
10	A0343200660	2	Rope wedge		
12	A70001712	2	S.W.L.-sign set	500 kg	Pos.13
12	A70001755	2	S.W.L.-sign set	630 kg	Pos.13
12	A70001758	2	S.W.L.-sign set	800 kg	Pos.13
13	A5078310	4	Blind rivet	3×5	
14	A70001701	2	Name plate set		Pos.15
15	A5078310	4	Blind rivet	3×5	

1) Please state capacity

Spare parts list
SH 3

H125-2, H126-2 bottom hook block

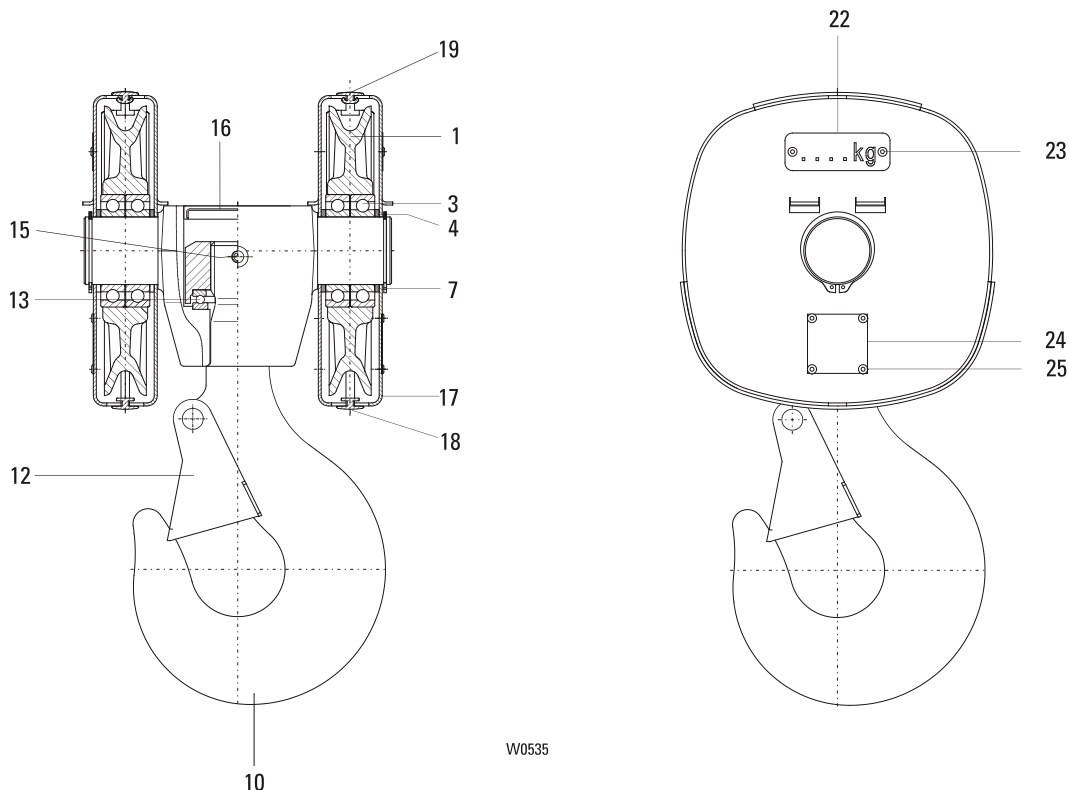


Item	Part no.	Qty.	Description	Specification	Comment
	A0143070500	1	Bottom hook block	H125-2 E-Ha 650 kg	
	A0143072500	1	Bottom hook block	H125-2 E-Ha 1000 kg	
	A0143071500	1	Bottom hook block	H125-2 E-Ha 1 ton	
	A0143073500	1	Bottom hook block	H125-2 E-Ha 1250 kg	
	A0143074500	1	Bottom hook block	H125-2 E-Ha 1600 kg	
	A0143061500	1	Bottom hook block	H126-2 E-Ha	1)
1	A0143000530	1	Rope pulley	D 125 mm H125-2	Pos.3
1	A0143012530	1	Rope pulley, intensified	D 125 mm H125-2	Pos.3
1	A0143010530	1	Rope pulley	D 120 mm H126-2	
3	A5609360	2	Rolling bearing	6006-2Z DIN 625	
5	A5009800	4	Screw	M8×45 DIN 912-8.8	
6	A5068390	8	Safety washer	S8	
10	A0143013520	1	Load hook	RSN 08 E-Ha	Pos.12 – 13
12	A2433050570	1	Hook safety catch		
13	A70046202	1	Bearing set		
17	A70005126	2	S.W.L.-sign set	650 kg	Pos.18
17	A70001739	2	S.W.L.-sign set	1000 kg	Pos.18
17	A70005130	2	S.W.L.-sign set	1 ton	Pos.18
17	A70001742	2	S.W.L.-sign set	1250 kg	Pos.18
17	A70001744	2	S.W.L.-sign set	1600 kg	Pos.18
18	A5078310	2	Blind rivet	3×5	
20	A70001759	2	Name plate set		Pos.21
21	A5078310	4	Blind rivet	3×5	

1) Please state capacity

el-o.2.6.11-en-12.1

H100-4 bottom hook block



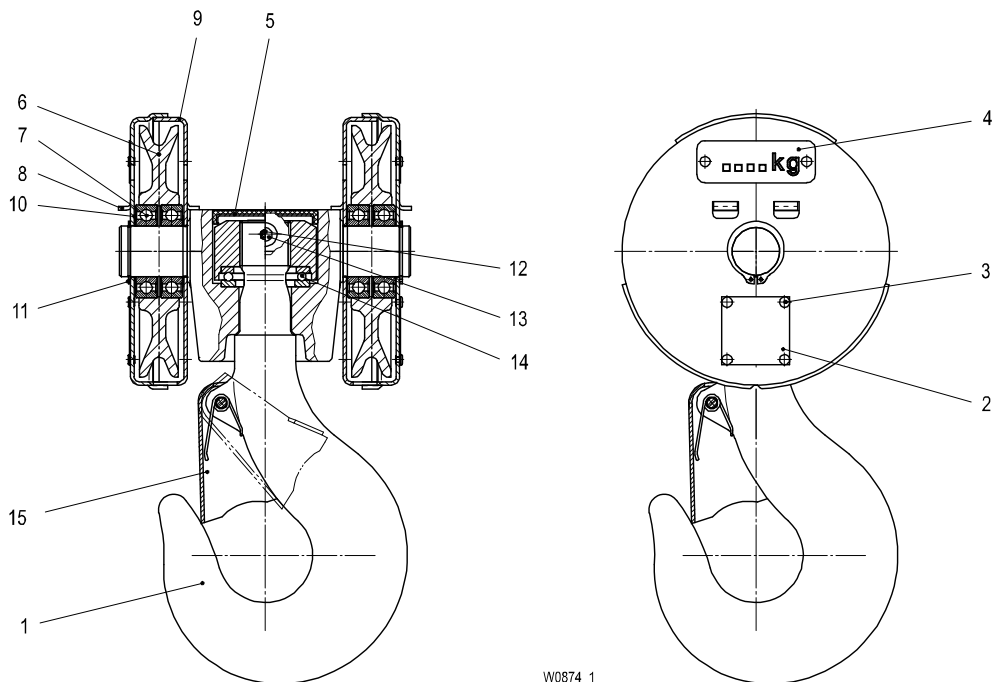
W0535

Item	Part no.	Qty.	Description	Specification	Comment
	A0143013510	1	Bottom hook block	H100-4 E-Ha	1)
1	A0143001530	2	Rope pulley	D 100 mm, H100-4	Rope D 4 – 5.5 mm Pos.3
3	A5609510	4	Rolling bearing	6005-2RS	DIN 625
4	A5070240	4	Supporting ring	S25×35×2	DIN 988
7	A5060970	2	Retaining ring	25×1.2	DIN 471
10	A70004729	1	Load hook	RSN 08 E-Ha	Pos.12 – 15
12	A2433050570	1	Hook safety catch		
13	A70045750	1	Bearing set	51105	DIN 711 Pos.15
15	A5041090	1	Spring-type straight pin	6×40	ISO 8752
16	A5180370	1	End cap	52×10	
17	A70001702	4	Protection hood	painted	
18	A0143505570	2	Joining element	bottom	
19	A0143504570	2	Joining element	upper	
22	A70001739	2	S.W.L.-sign set	1000 kg	Pos.23
22	A70001742	2	S.W.L.-sign set	1250 kg	Pos.23
22	A70001744	2	S.W.L.-sign set	1600 kg	Pos.23
23	A5078310	2	Blind rivet	3×5	
24	A70001701	2	Name plate set		Pos.25
25	A5078310	4	Blind rivet	3×5	

1) Please state capacity

Spare parts list
SH 3

H125-4, H126-4 bottom hook block



W0874_1

Item	Part no.	Qty.	Description	Specification	Comment
	A0143090510	1	Bottom hook block	H125-4 E-Ha 2 ton	
	A0143003510	1	Bottom hook block	H125-4 E-Ha 3 ton	
	A0143000510	1	Bottom hook block	H125-4 E-Ha 500 kg	
	A0143001510	1	Bottom hook block	H125-4 E-Ha 1000 kg	
	A0143000560	1	Bottom hook block	H125-4 E-Ha 1600 kg	
	A0143002510	1	Bottom hook block	H125-4 E-Ha 2000 kg	
	A0143018560	1	Bottom hook block	H125-4 E-Ha 2500 kg	
	A0143004510	1	Bottom hook block	H125-4 E-Ha 3000 kg	
	A0143005510	1	Bottom hook block	H125-4 E-Ha 3200 kg	
	A70028004	1	Bottom hook block	H126-4 E-Ha 2000 kg	
1	A70004731	1	Load hook	No. 1.6 E-Ha	Pos.12 – 15
2	A70001701	2	Name plate set		Pos.3
3	A5078310	4	Blind rivet	3×5	
4	A70005137	2	S.W.L.-sign set	2 ton	Pos.3
4	A70005139	2	S.W.L.-sign set	3 ton	Pos.3
4	A70001731	2	S.W.L.-sign set	500 kg	Pos.3
4	A70001739	2	S.W.L.-sign set	1000 kg	Pos.3
4	A70001744	2	S.W.L.-sign set	1600 kg	Pos.3
4	A70001956	2	S.W.L.-sign set	2000 kg	Pos.3
4	A70001971	2	S.W.L.-sign set	2500 kg	Pos.3
4	A70005185	2	S.W.L.-sign set	3000 kg	Pos.3
4	A70001973	2	S.W.L.-sign set	3200 kg	Pos.3
3	A5078310	2	Blind rivet	3×5	
5	A5180340	1	End cap		
6	A0143000530	2	Rope pulley	D 125 mm H125-4	Pos.7
6	A0143012530	2	Rope pulley, intensified	D 125 mm H125-4	Pos.7
6	A0143010530	2	Rope pulley	D 120 mm H126-4	Pos.7
7	A5609360	4	Rolling bearing	6006-2Z DIN 625	
8	A70001979	2	Protection hood	Outside, painted	
9	A70001980	2	Protection hood	Inside, painted	
10	A5063530	6	Adjusting washer	30×42×0.5 DIN 988	

el-o.2.6.11-en-12.1

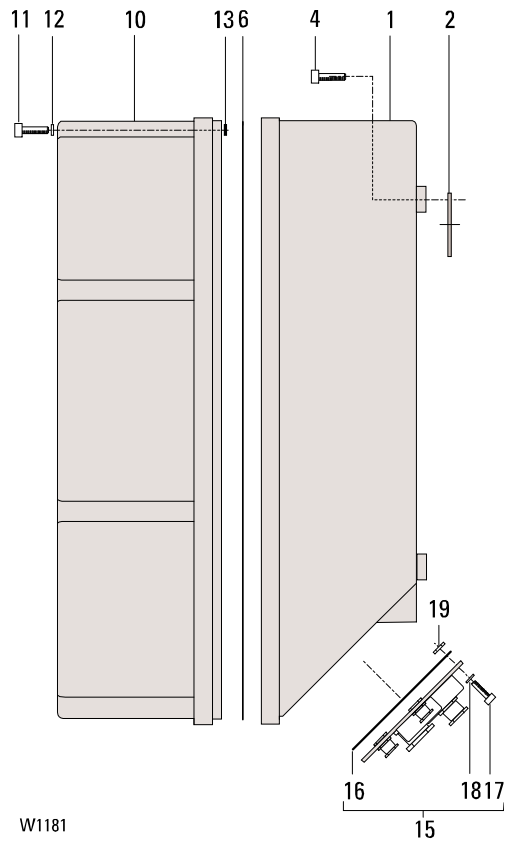
Spare parts list SH 3

Item	Part no.	Qty.	Description	Specification		Comment
11	A5060980	2	Retaining ring	30×1.5	DIN 471	
12	A5042460	1	Spring-type straight pin	6×60	ISO 8752	
13	A5158000	2	Plug			
14	A70045752	1	Bearing set	51107	DIN 711	Pos.12
15	A1532053560	5	Hook safety catch			
15	A5210090	1	Hook safety catch			

Spare parts list

SH 3

Terminal box



Item	Part no.	Qty.	Description	Specification	Comment
1	A0443001950	1	Terminal box		Pos.2
2	A0443902950	1	Sealing ring		
4	A5009120	4	Screw	M6×25	DIN 933-8.8
6	A0443901950	1	Seal		
10	A0443000950	1	Box cover		
11	A5002280	8	Screw	M5×20	DIN 912-8.8
12	A5070510	8	Safety washer	S5	
13	A5150070	8	Round sealing ring	4.0×1.5	
15	A04430**980	1	Flange plate		Pos.16 – 19 1)
16	A0443900950	1	Seal		
17	A5011160	7	Screw	M5×12	DIN 6912
18	A5060830	7	Disc	A5.3	DIN 125
19	A5071300	7	Locking nut	M5	

1) Please state serial no.

Spare parts list SH 3

Control

Standard control

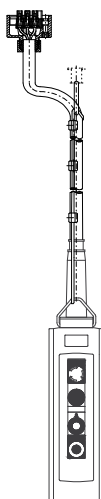
See separate enclosure for circuit diagram and parts list.

Control (USA)

208 V – 60 Hz, 230 V – 60 Hz, 460 V – 60 Hz

On request.

Standard control pendant



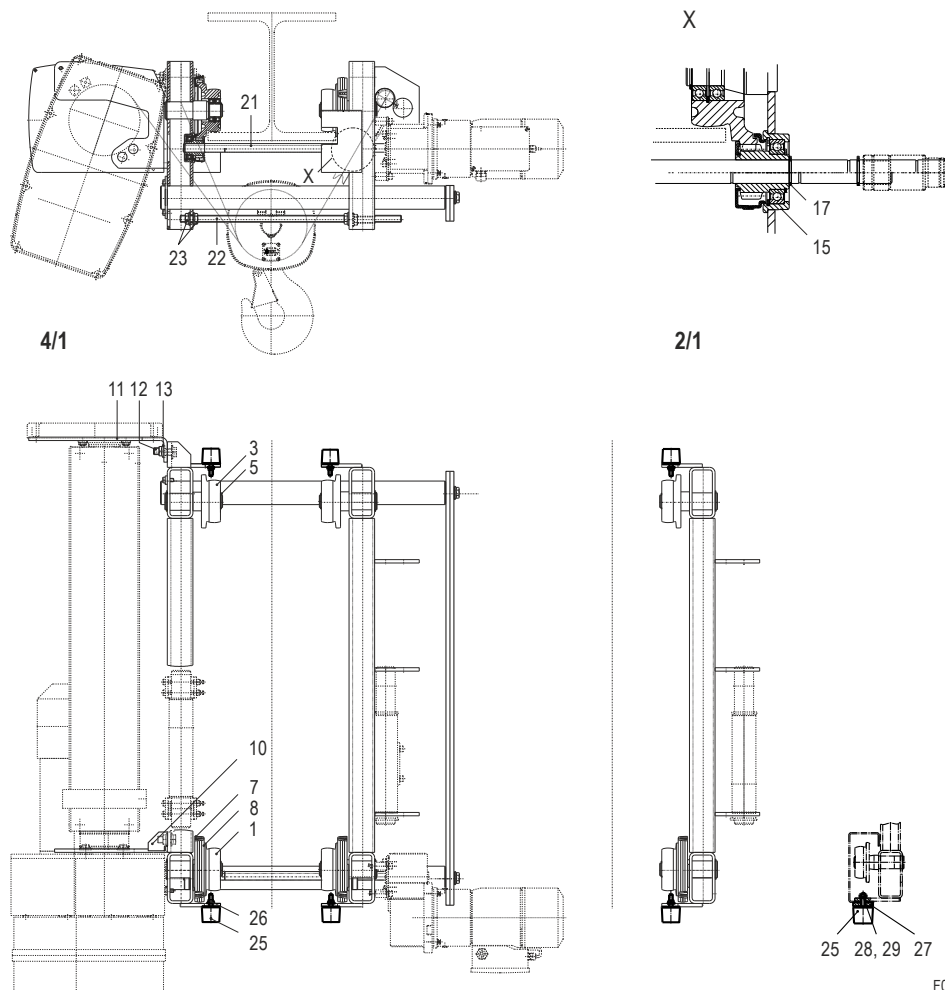
Item	Part no.	Qty.	Description	Specification	Comment
	A1639005210		Standard control pendant	STH 1102-009	Without control cable
	A1739083219		Standard control pendant	STH 1102-009	1)
	A1639006210		Standard control pendant	STH 1102-009	2.8 m control cable
	A1639007210		Standard control pendant	STH 1102-009	4.0 m control cable
	A1639008210		Standard control pendant	STH 1102-009	8.0 m control cable
	A1739082219		Standard control pendant	STH 1106-009	1)
	A1739048190		Standard control pendant	STH 1202-021	Without control cable
	A1739071219		Standard control pendant	STH 1202-021	1)
	A1739030190		Standard control pendant	STH 1202-021	1.8 m control cable
	A1739031190		Standard control pendant	STH 1202-021	2.3 m control cable
	A1739032190		Standard control pendant	STH 1202-021	2.8 m control cable
	A1739033190		Standard control pendant	STH 1202-021	4.0 m control cable
	A1739034190		Standard control pendant	STH 1202-021	5.0 m control cable
	A1739035190		Standard control pendant	STH 1202-021	6.0 m control cable
	A1739036190		Standard control pendant	STH 1202-021	8.0 m control cable
	A1739070219		Standard control pendant	STH 1206-021	1)

1) Please state length of control cable when ordering.

Special control pendants: Please state type.

Spare parts list SH 3

KE-S3 trolley

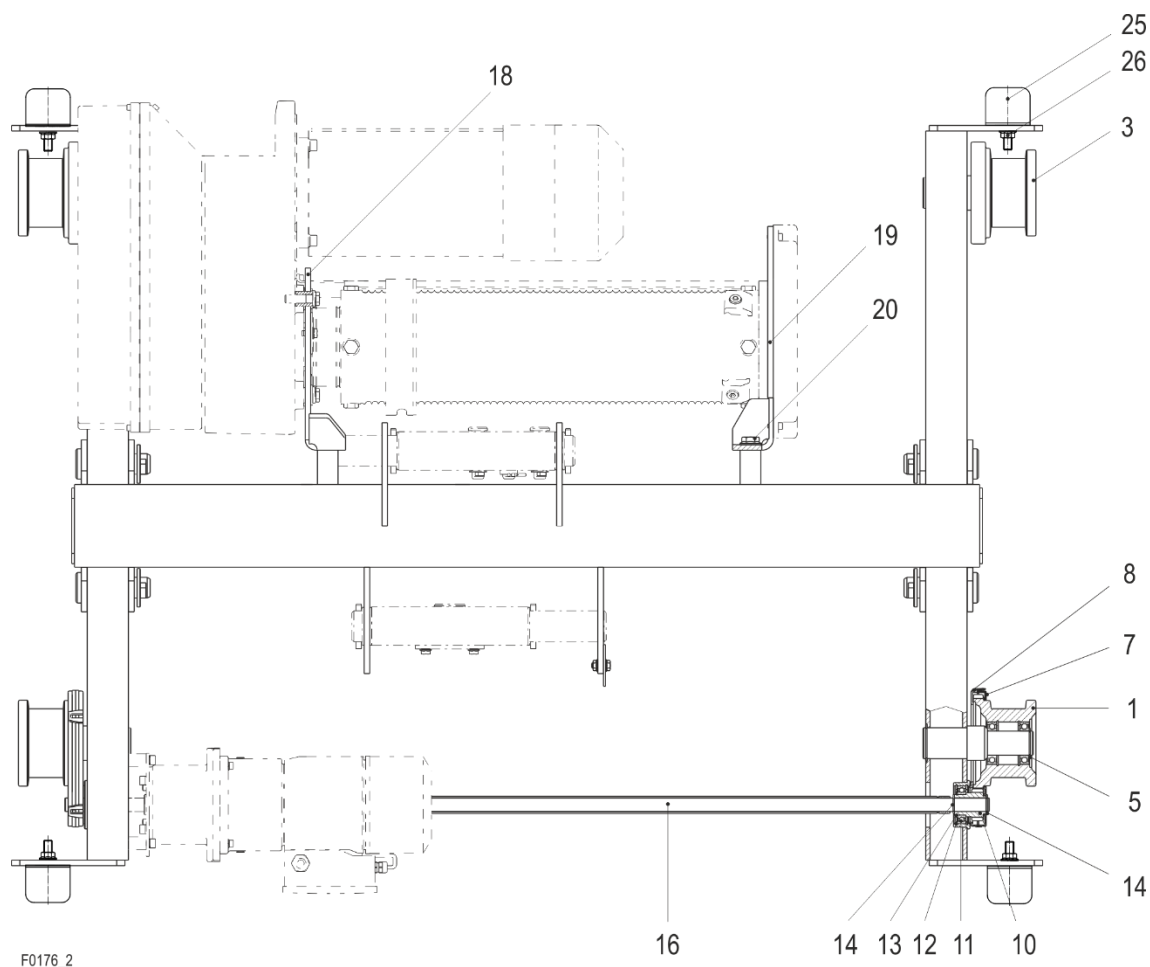


Item	Part no.	Qty.	Description	Specification	Comment
1	A0325006400	2	Wheel set	A80 L3/5	Pos.5
3	A2334000650	2	Wheel set	B80 L3/5	Pos.5
5	A5060970	4	Retaining ring	25×1.2 DIN 471	
7	A0325400400	2	Wheel cover		
8	A0325401400	2	Wheel cover		
10	A0343205010	1	Support plate gear side		
11	A0343204010	1	Support plate bearing side		
12	A5011230	4	Locking screw	M16×30-10	
13	A5071980	4	Locking nut	M16	
15	A2127001390	2	Flange bearing complete		Pos.17
17	A5070980	2	Retaining ring	20×1.75 DIN 471	
21	A2127311600	1	Drive shaft	90 – 195 mm	1)
21	A2127308600	1	Drive shaft	196 – 306 mm	1)
21	A2127312600	1	Drive shaft	307 – 400 mm	1)
21	A2127313600	1	Drive shaft	401 – 500 mm	1)
22	A0250029	2	Threaded bolt	M16×720 DIN 976-8.8	
23	A5071980	8	Locking nut	M16	
25	A2434000450	1	Buffer assembly	No17 220	Pos.26 – 29
26	4	Locking nut	M10	
27	4	Distance disc		
28	4	Safety washer		
29	4	Nut	M10	

1) Flange width

Spare parts list SH 3

OE-S04 trolley



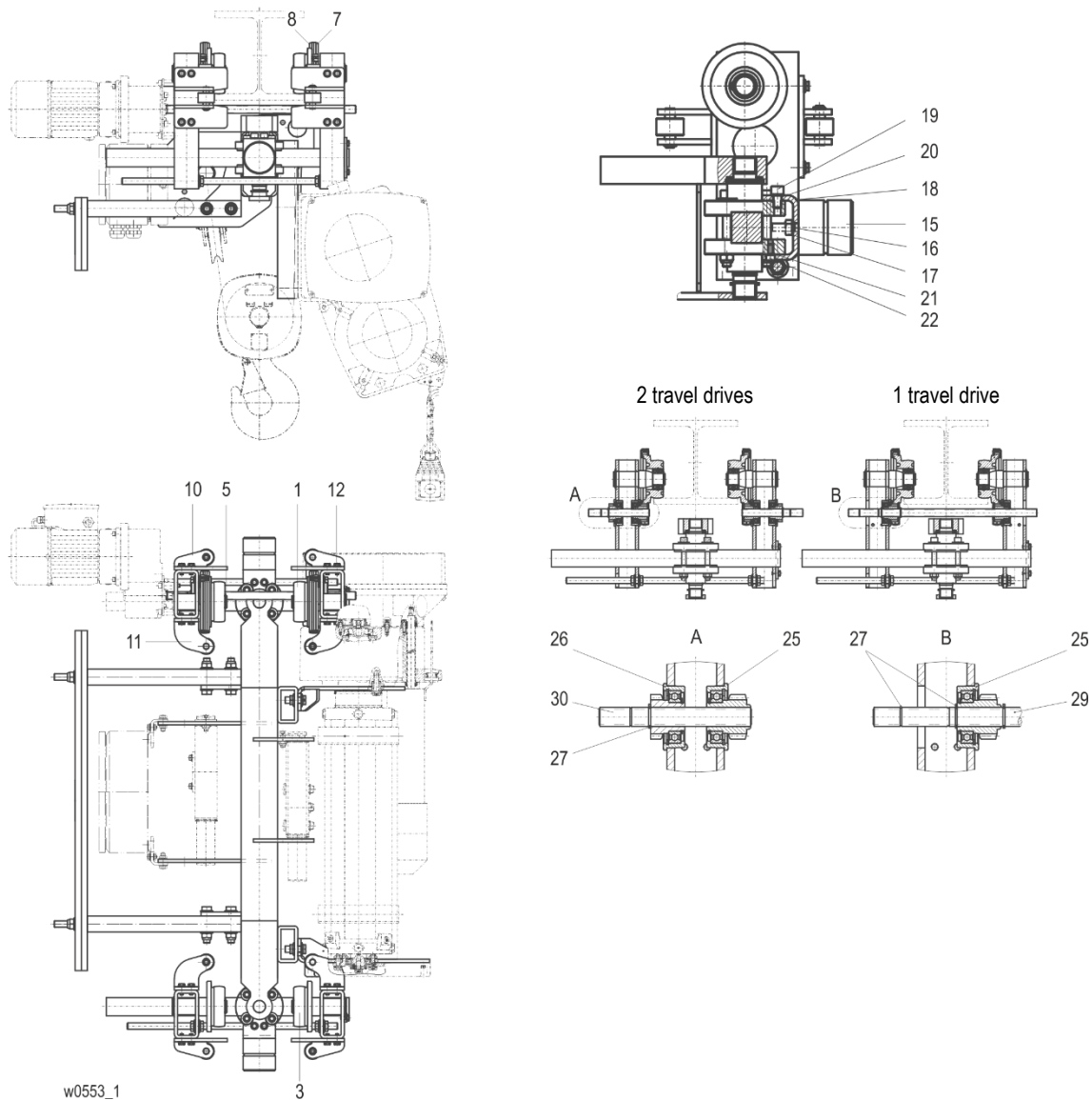
F0176_2

Item	Part no.	Qty.	Description	Specification	Comment
1	A2425005640	2	Wheel set	A100 b1=50 mm, k=40 mm	Pos.5 1)
1	A2425006640	2	Wheel set	A100 b1=60 mm, k=50 mm	Pos.5 1)
3	A2425007640	2	Wheel set	B100 b1=50 mm, k=40 mm	Pos.5 1)
3	A2425008640	2	Wheel set	B100 b1=60 mm, k=50 mm	Pos.5 1)
5	A5060990	4	Retaining ring	35×1.5 DIN 471	
7	A0425403400	2	Wheel cover		
8	A0425404400	2	Wheel cover		
10	A2127001390	2	Drive pinion		
11	A5609360	2	Rolling bearing	6006-2Z DIN 625	
12	A5062630	2	Retaining ring	55×2 DIN 472	
13	A5060980	2	Retaining ring	30×1.5 DIN 471	
14	A5070980	2	Retaining ring	20×1.75 DIN 471	
16	A2127305600	1	Drive shaft	1250 mm	2)
16	A2127303600	1	Drive shaft	1400 mm	2)
16	A2127304600	1	Drive shaft	2240 mm	2)
18	A0343205010	1	Support plate gear side		
19	A0343204010	1	Support plate bearing side		
20	A5011230	4	Locking screw	M16×30-10	
25	A5771850	4	Buffer	M12×35	
26	A5078400	4	Locking nut	M12	

- 1) b1=wheel tread, k=rail width
2) Track gauge

Spare parts list
SH 3

DKE-S4. articulated trolley



Item	Part no.	Qty.	Description	Specification	Comment
1	A0425004400	2	Wheel	A100 L3/4	
3	A0425003410	2	Wheel	B100 L3/4	
5	A5060980	4	Retaining ring	30×1.5 DIN 471	
7	A0425403400	2	Wheel cover		
8	A0425404400	2	Wheel cover		
10	A2434001580	4	Guide roller 2		
11	A2434000580	4	Guide roller 1		
12	A5011190	32	Locking screw	M8×25	
15	A5774150	2	Buffer		
16	A5068410	2	Safety washer	S12	
17	A5065500	2	Nut	M12 ISO 4032	
18	A2434212830	2	Fastening bow		
19	A5001500	4	Screw	M12×20 DIN 912-8.8	
20	A5068410	4	Safety washer	S12	
21	A5068390	4	Safety washer	S8	
22	A5001440	4	Screw	M8×16 ISO 4762	
25	A2127001390	2	Flange bearing		
26	A2127002390	2	Flange bearing		

el-c.2.6.11-en-12.1

Spare parts list SH 3

Item	Part no.	Qty.	Description	Specification	Comment
27	A5070980	2	Retaining ring	20×1.75 DIN 471	
29	A2127308600	1	Drive shaft	> 90 mm < 220 mm	1)
30	A2127310600	2	Drive shaft		

1) Flange width

STAHL CraneSystems GmbH
Daimlerstr. 6, 74653 Künzelsau, Germany
Tel +49 7940 128-0, Fax +49 7940 55665
marketing.scs@stahlcranes.com
www.stahlcranes.com

a member of COLUMBUS MCKINNON
CORPORATION

Partner of Experts

STAHL ®
CraneSystems