

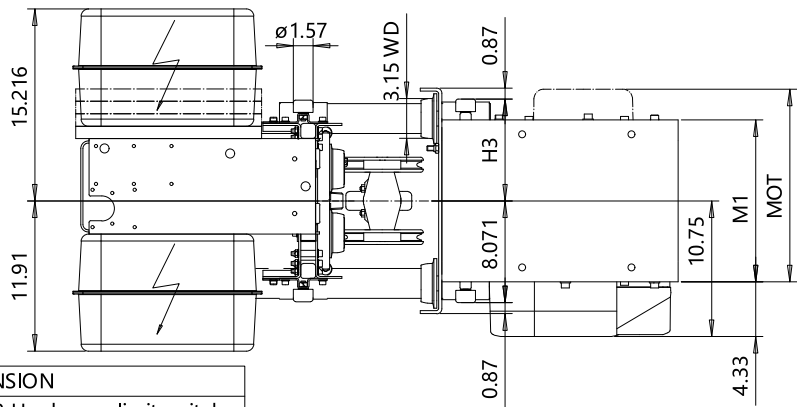
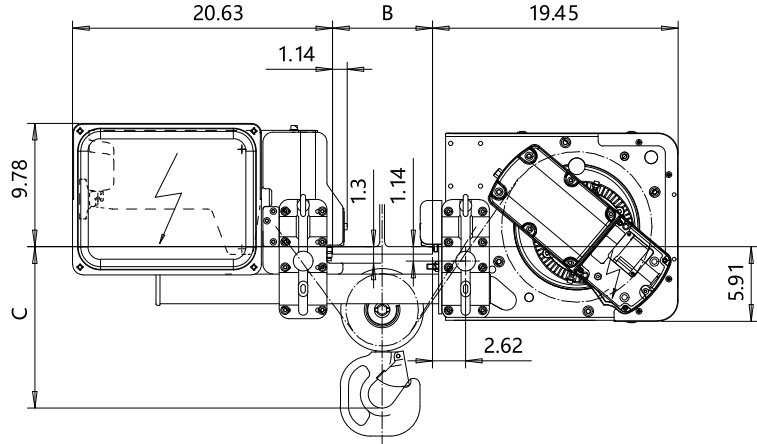
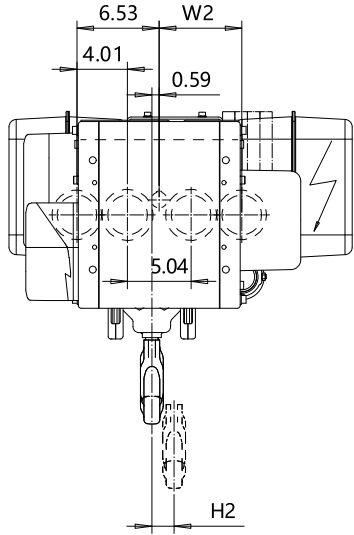
LOW HEADROOM, 4 PART SINGLE

Hoist type:

SX2 041..L0

SX3 041..L0

US-60Hz



HEADROOM TABLE - C DIMENSION		
Flange Width, B (in)	Headroom, C (in)	with HS22 Hook oper limit switch (in)
3.1 - 10.62	16 1/8	19 1/8
10.67 - 12.62	15	18
12.64 - 14.56	16 1/8	19 1/8
14.6 - 16.14	17 1/8	19 1/8
16.18 - 18.11	18 5/16	19 1/8
18.15 - 20.08	19 1/2	19 1/2
20.12 - 22.05	20 5/8	20 5/8
22.09 - 24.02	21 7/8	21 7/8
24.06 - 26	23	23
26.02 - 27.17	24	24

Headroom is related to the flange width

HOL (ft)	Length code	M1 (inch)	H2 (inch)	H3 (inch)	W2 (inch)	Approx Weight (lb)
19'-8"	A	12.83	1.77	8	6.54	397
31'-2"	C	17.95	2.83	10.63	9.09	441

Load (ton)	Class ASME
1 1/2	H4 +
2	H4
2 1/2	H4 +
3	H4

Motor	P1	P2	P3	A3	S3
MOT (in)	15.2	17.6	18.7	17.6	20.7
Weight (lb)	46	68	77	71	62

Approx. weight calculated with P1 motor.

This document is the absolute property of R&M Materials Handling, Inc. This document must not be copied without the written permission of R&M Materials Handling, Inc. The contents thereof must not be disclosed to a third party nor be used for any unauthorized purpose. Contravention will be prosecuted.

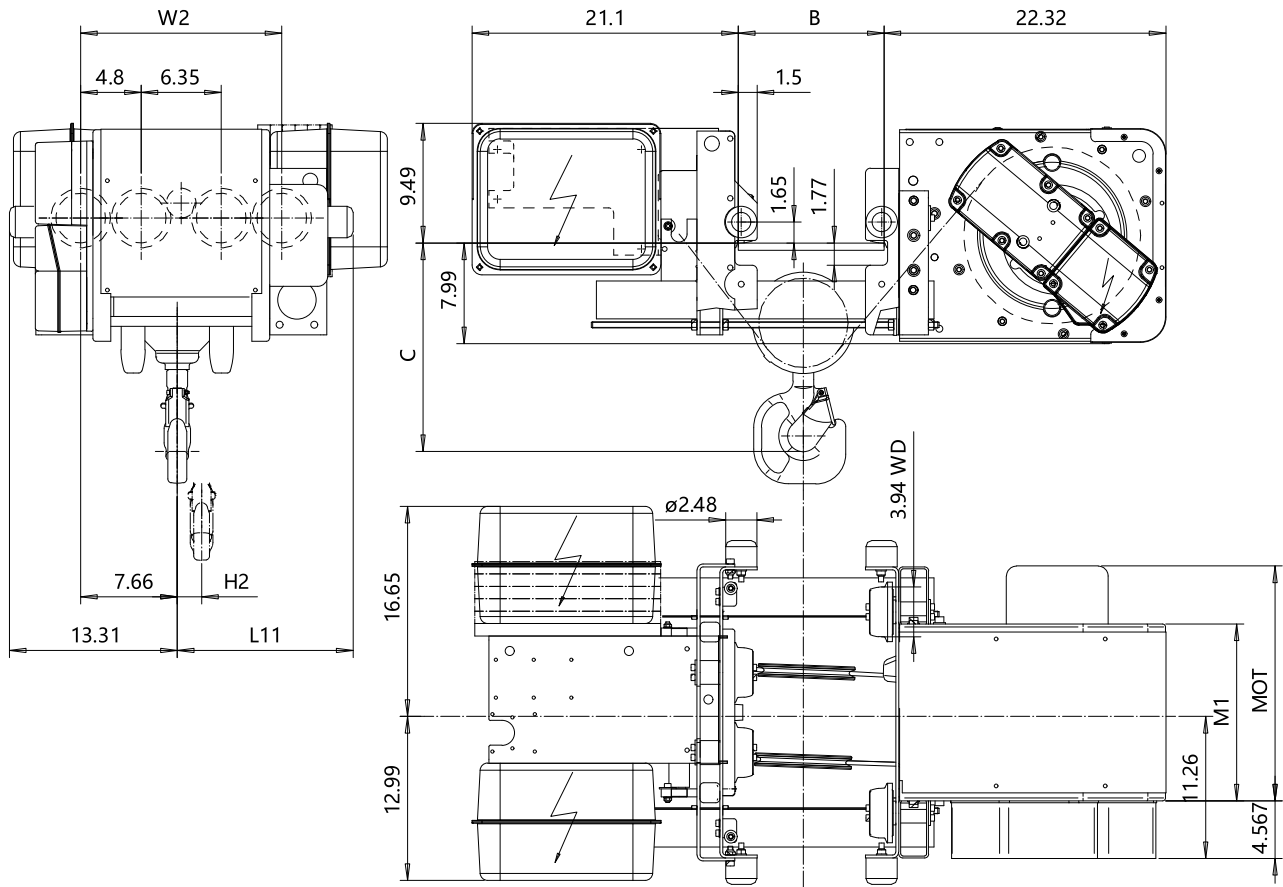
Design	Chd	Appd	Ref Drawing	QA-L-04
Date	TROLLEY; LOW HEADROOM			1.6.5
SLEQMECE Owner Dept	4 ROPE FALLS			For Mar
R&M MATERIALS HANDLING INC.	R&M MATERIALS HANDLING, INC. HOIST & CRANE PRODUCTS SPRINGFIELD OHIO			Issue 9
D002080-A				

LOW HEADROOM, 4 PART SINGLE

Hoist type:

SX4 041...L0

US-60Hz



HEADROOM TABLE - C DIMENSION		
Flange Width, B (in)	Headroom, C (in)	with HS22 Hook over limit switch (in)
3.93 - 7.88	21 5/8	23 1/4
7.89 - 9.84	19 11/16	23 1/4
9.88 - 11.81	18 15/16	23 1/4
11.85 - 13.78	17 15/16	23 1/4
13.81 - 15.75	19 5/16	23 1/4
15.78 - 17.72	20 1/2	23 1/4
17.75 - 19.3	21 11/16	23 1/4
19.33 - 21.25	22 7/8	23 1/4
21.3 - 23.25	24	24

Headroom is related to the flange width

Load (TON)	Class ASME
3	H4 +
4	H4 +
5	H4

HOL (ft)	Length code	H2 (inch)	L11 (inch)	M1 (inch)	W2 (inch)	Approx Weight (lb)
19'-8"	B	1.92	13.62	14.03	15.94	845
29'-6"	C	2.91	17.56	17.95	19.88	889
39'-4"	D	3.89	21.5	21.89	23.81	933

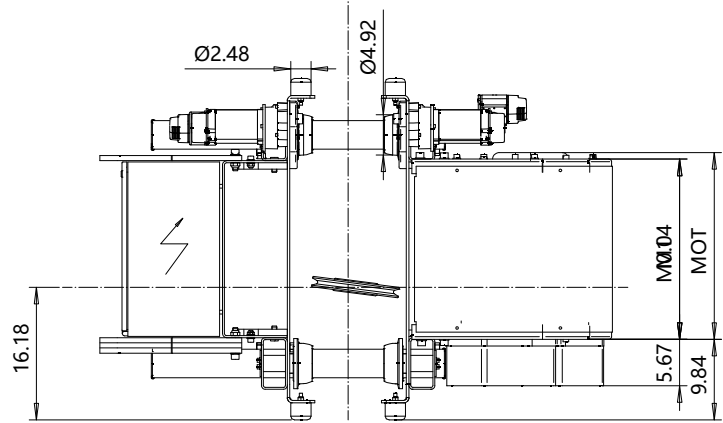
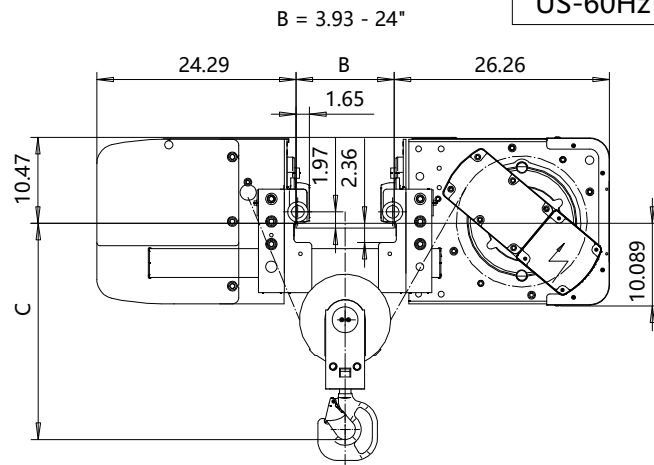
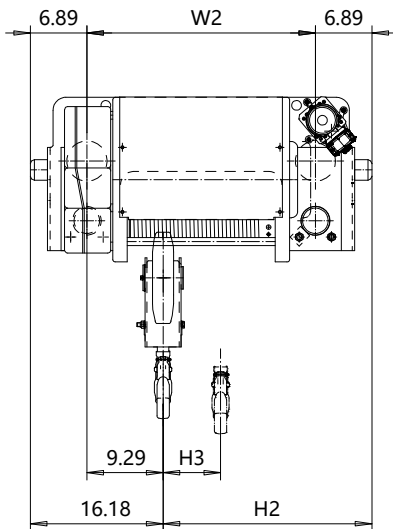
Motor	P3	P4	A3	S3	S5
MOT (in)	18.7	22.6	17.6	20.7	23.7
Weight (lb)	77	117	71	62	117

CSDPAL Design 2002-08-27 Date	CSDPAL Chd Appd	Ref Drawing	QB-L-04
SLEQENG1 Owner Dept	TROLLEY; LOW HEADROOM 4 ROPE FALLS		1.65 FolMir
R&M MATERIALS HANDLING INC.	R&M MATERIALS HANDLING INC. HOIST & CRANE PRODUCTS SPRINGFIELD OHIO	D002092-A	Issue 7

This document is the absolute property of R&M Materials Handling, Inc. This document must not be copied without the written permission of R&M Materials Handling, Inc. The contents thereof must not be disclosed to a third party nor be used for any unauthorized purpose. Contravention will be prosecuted.

LOW HEADROOM, 2 PART SINGLE
Hoist type:
SX5 021...L0

US-60Hz



Load (lb)	Class ASME
4	H4+
5	H4

Motor	P5	P6	P7	A5	S5	S7
MOT (in)	22.76	22.76	24.33	19.61	23.86	29.8
Weight (lb)	128	187	231	99	117	179

HEADROOM TABLE - C DIMENSION		
Flange Width, B (in)	Standard (in)	with HS22 Hook oper limit switch (in)
3.93 - 7.83	29 1/2	33 1/16
7.87 - 10.19	27 9/16	32 1/4
10.23 - 17.32	26	31 7/8
17.36 - 21.26	25 1/4	28 3/8
21.69 - 24	26 3/4	26 3/4

Headroom is related to the flange width

HOL (ft)	Length code	M1 (inch)	H2 (inch)	H3 (inch)	W2 (inch)	Approx Weight (lb)
59'-0"	D	21.97	25.47	6.92	27.87	1312
78'-8"	E	26.69	30.19	9.25	32.59	1411
104'-11"	F	32.6	37.25	12.16	38.50	1521

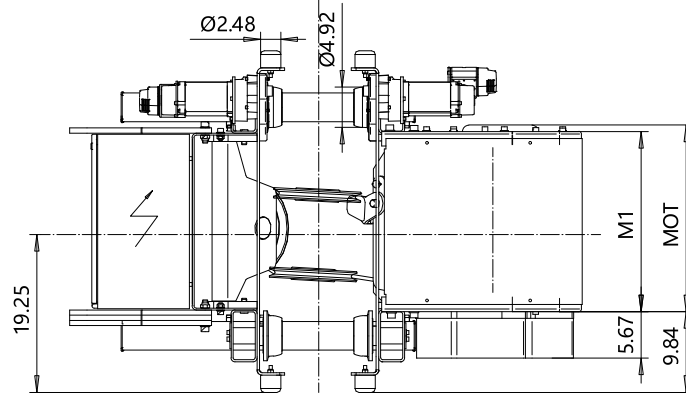
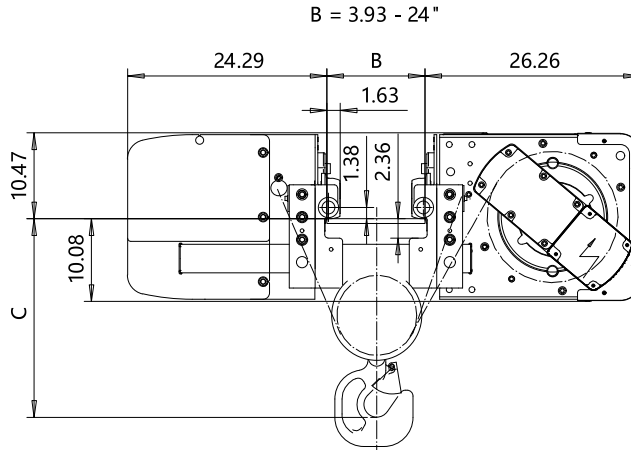
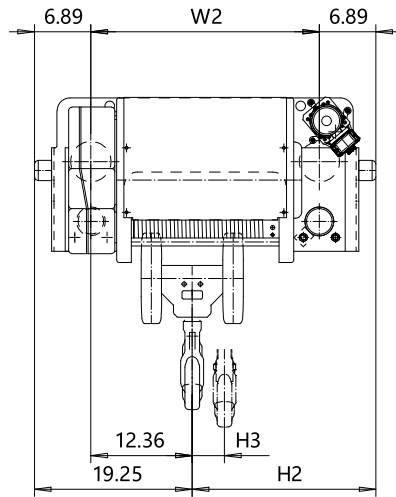
Approx. Weight calculated with P5 motor.

This document is the absolute property of R&M Materials Handling, Inc. This document must not be copied without the written permission of R&M Materials Handling, Inc. The contents thereof must not be disclosed to a third party nor be used for any unauthorized purpose. Contravention will be prosecuted.

ETTPAL Design	ETTPAL Chd	Appd	Ref Drawing	QC-L-02
2002-08-29 Date	TROLLEY; LOW HEADROOM			1:10
SLECKON Owner Dept	2 ROPE FALLS			Folder
R&M MATERIALS HANDLING INC.	R&M MATERIALS HANDLING INC HOIST & CRANE PRODUCTS SPRINGFIELD, OHIO	D002112-A		Issue 7

LOW HEADROOM, 4 PART SINGLE
Hoist type:
SX5 041...L0

US-60Hz



Load (ton)	Class ASME
5	H4 +
6	H4 +
7 1/2	H4 +
10	H4

Motor	P5	P6	P7	A5	S5	S7
MOT (in)	22.76	22.76	24.33	19.61	23.86	29.8
Weight (lb)	128	187	231	99	117	179

HEADROOM TABLE - C DIMENSION		
Flange Width, B (in)	Headroom, C (in)	with HS22 Hook oper limit switch (in)
3.93 - 7.83	28	31 1/8
7.87 - 11.38	27 1/4	30 5/16
11.43 - 20.87	23 5/8	30 5/16
20.91 - 24	25 9/16	25 3/16

Headroom is related to the flange width

HOL (ft)	Length code	M1 (inch)	H2 (inch)	H3 (inch)	W2 (inch)	Approx Weight (lb)
29'-6"	D	21.97	25.47	3.5	27.87	1345
39'-4"	E	26.69	30.19	4.6	32.59	1455
52'-5"	F	32.6	37.25	6.1	38.50	1565

Approx. Weight calculated with P5 motor.

This document is the absolute property of R&M Materials Handling, Inc. This document must not be copied without the written permission of R&M Materials Handling, Inc. The contents thereof must not be disclosed to a third party nor be used for any unauthorized purpose. Contravention will be prosecuted.

ETPAL Design	ETPAL Chd	Appd	Ref Drawing	QC-L-04
2002-08-29 Date	TROLLEY; LOW HEADROOM			1:10
SLEQDOCV Designer Dept	4 ROPE FALLS			For Mar
R&M MATERIALS HANDLING INC.	R&M MATERIALS HANDLING INC. HOIST & CRANE PRODUCTS SPRINGFIELD, OHIO	D002117-A		Issue 7