

EN

OPERATOR'S MANUAL



LEVER HOIST 0.25 TON 0.75 TON 1.5 TON 3 TON

**These Lever Hoists
meet or exceed
the following
standards:**

**CE
ASME B30.21**



P.O. Box 845, Winona, MN 55987
Phone (800) 749-1064
(507) 474-6250
Tech Support (507) 457-3346
Fax (507) 452-5217
sales@ozliftingproducts.com
www.ozliftingproducts.com



Table of Contents

Pg.2	Product Features and Benefits
Pg.3	Warranty/Warranty Policy
Pg.4	Important Information and Precautions
Pg.5	Warnings
Pg.6	Technical Information
Pg.7	Pre-Installation
Pg.8	Operation
Pg.9	Inspection
Pg.10	Inspection
Pg.11	Inspection
Pg.12	Inspection
Pg.13	Inspection
Pg.14	Maintenance
Pg.15	Parts List

Product Features and Benefits

- **All steel construction**
- **G80 Alloy load chain**
- **Fully enclosed gear train**
- **Weather protected automatic brake**
- **Powder coated paint protection**
- **Test certificate included**
- **Each unit tested to 125% of rated capacity**

ONE YEAR WARRANTY

OZ Lifting Products LLC® guarantees this product to be free of defects in materials and workmanship for one year from the date of shipment.

This warranty does not apply to products that show signs of misuse, overloading, alteration, improper maintenance or negligence. The normal wear and tear of moving parts is excluded from the warranty. Moving parts are defined as brake discs, wire rope and other wear components that are subject to use conditions. This warranty does not cover any costs related to removal of this product, lost time, or any other incidental or consequential damages/costs resulting from the claimed defects.

If this product fails during the first year of operating due to defective materials or workmanship, it will be repaired or replaced at the discretion of OZ Lifting Products LLC®. Any product subject to a warranty claim must be returned, prepaid, to an authorized OZ Lifting Products LLC® warranty depot along with proof of purchase. Upon repair, the product will be returned to the customer free of charge. If no defect is found, the customer will be responsible for return shipping costs. The product's warranty will be effective for the remainder of the original warranty period (one year from shipment date).

OZ Lifting Products LLC® will not be held liable for the following arising from the use of this product: injuries to persons or property, death, incidental, consequential, or contingent damages, whether negligent or deliberate. It is the sole responsibility of the owner to install and operate the product properly and safely.

This is OZ Lifting Products LLC®'s only written warranty. This warranty is in lieu of all other warranties implied by law such as merchantability and fitness. The sale of products from OZ Lifting Products LLC® under any other warranty or guarantee, expressed or implied, is not authorized.

NOTE: OZ Lifting Products LLC® has the right to alter the design of or discontinue the production of any product without prior notice.

For more information please contact:



OZ Lifting Products LLC®
P.O. Box 845, Winona, MN 55987
Phone (800) 749-1064
(507) 474-6250
Tech Support (507) 457-3346
Fax (507) 452-5217
sales@ozliftingproducts.com
www.ozliftingproducts.com

Important Information and Precautions

This manual contains general instructions dealing with the normal installation, operation and maintenance of the products described herein.

This product should not be installed, operated, or maintained by any person who has not read all the contents of these instructions. Failure to read and comply with these instructions, warnings, or limitations noted might result in bodily injury, death, or property damage. Contact the distributor for further explanation if information is not fully understood.

It is the responsibility of the owner/user to install, test, maintain, and operate these products in accordance with OSHA regulations, other federal, state, and local regulations, and ASME standards including:

- ASME B30.21- Manually Operated Lever Hoists

- Other applicable volumes within ASME B30

Only trained and qualified personnel shall operate and maintain this equipment.

Maintain Records

Schedule and maintain records of regular inspection and maintenance of the product in compliance with ASME standards.

Record your hoists Serial Number on the front cover of this manual to allow for easier referencing.

Precautions

Do not use OZ Lifting products in conjunction with other equipment unless the system designer, manufacturer, installer, or user has put the necessary safety devices in place.

Modifications to upgrade, re-rate, or alter these products should only be authorized by the original manufacturer.

Hoists should be used for lifting loads only within their load ratings.

These Lever Hoists meet or exceed the following standards:

CE

ASME B30.21



Warnings

Failure to read and comply with the following warnings may result in a hazardous situation that could lead to death, serious injury, or property damage.

Do Not operate the hoist with anything other than manual hand power.

Do Not use lever hoist with extension on lever handle.

Do Not operate if hook latch is missing or not functioning properly.

Do Not lift more than the rated load.

Do Not operate the product when it is restricted from forming a straight line with the direction of loading.

Do Not operate with twisted, kinked, or damaged chain.

Do Not operate if chain is not seated in sheaves or sprockets.

Do Not wrap chain around load or use chain as a sling.

Do Not operate until load chain is seated correctly in the load sheave.

Do Not operate unless load is properly applied to the saddle or bowl of the hook.

Do Not operate if load is applied to the tip of the hook.

Do Not lift people.

Do Not lift loads over people.

Do Not operate beyond load chain's travel limits.

Do Not operate with side pulling or side loading of load to hoist.

Do Not operate a damaged or malfunctioning product.

Do Not remove, deface, or obscure warning labels.

Do Not leave a suspended load unattended, unless specific precautions are instituted.

Do Not lengthen chain or repair damaged load chain by welding.

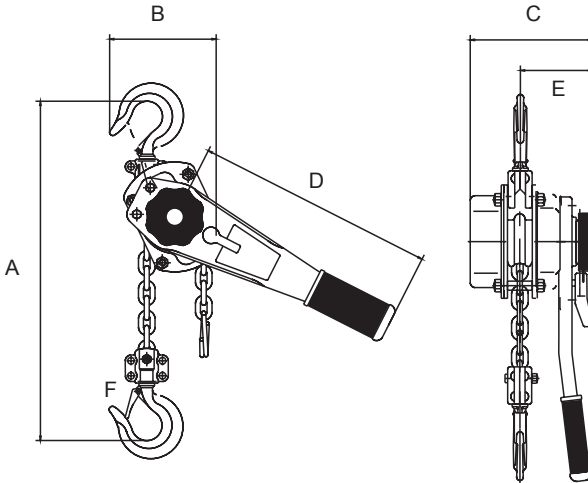
Do Not use chain as an electrical or welding ground.

Do Not operate until personnel are warned of approaching loads and are cleared from the area.



Technical Information

(0.25, 0.75, 1.5, and 3 ton)



Specification

Model	OZIND025-LH	OZIND075-LH	OZIND150-LH	OZIND300-LH	
Capacity	0.25 ton	0.75 ton	1.5 ton	3 ton	
Effort required to lift rated load	44 lbs	40 lbs	66 lbs	88 lbs	
Strands of chain	1	1	1	1	
Load chain diameter	4x12 mm	6x18 mm	8x24 mm	10x30 mm	
Dimensions	A	9.45 in	13.38 in	16.14 in	20.07 in
	B	3.62 in	5.31 in	5.91 in	8.27 in
	C	3.86 in	6.02 in	6.89 in	7.83 in
	D	6.3 in	12.2 in	16.34 in	16.34 in
	E	2.36 in	3.62 in	3.98 in	4.45 in
Hook-opening, upper & lower	F	0.83 in	1.1 in	1.26 in	1.5 in
Net Weight	3.8 lbs	11.8 lbs	20 lbs	35.6 lbs	
Packaging (in.)	26x11.6x11	38x13.5x17.5	51x15x21.5	53.5x17x23	

***Will custom rig**

Pre-Installation

Check for damage during shipment. Do not install or use a damaged product. Check and verify any structure or other equipment that will support the product has a rated load capacity equal to or greater than the rated load capacity of the product to be used.

Before initial operation:

Read and comply with all instructions and warnings furnished with or attached to the product if applicable.

Check operation of the brake.

Where applicable, check that the chain is properly seated in sheaves and that the chain is not twisted, kinked, or damaged.

Correct all chain irregularities before use.

Make sure that all supporting structures are sufficient to support the hoist and the load.

Make sure the hoist is installed properly to a fixed point.

Check that all bolts, nuts, and cotter pins are securely in place.

Before each shift, where applicable:

Inspect hooks for nicks, gouges, cracks, and signs of pulling apart or twisting.

Inspect hook latch for proper operation.

Check chain for kinks or twists.

Check operation of brake.

Replace warning label if missing or illegible.

Before operating:

Be certain all personnel are clear of the load to be lifted and moved.

Make sure the load is clear of obstacles, machinery, or other obstructions before hoisting and operation.

Make sure the hoist operation area allows enough room for lever operation, a clear zone for the operator and other personnel to stand, and allows the frame to swivel freely on the upper hook.

Operation

Warnings & Precautions

Hoist operators should read and fully comprehend this entire manual and all warnings on the hoist before beginning hoist operation. If this manual is not read and followed completely injuries may occur.

Operator Requirements:

Read and fully comprehend this entire manual before hoist operation.

Must be trained in proper hoist operation and dealing with potential malfunctions.

Should not operate hoist while under influence of alcohol, medications, or drugs. Should not operate the hoist while tired or distracted.

Should not operate hoist if they have a history of seizures or other medical issues that may interfere with hoist operation.

Should have proper coordination and vision.

Prior to Operation be sure:

Hoist is clean and properly lubricated.

Hoist is in proper working condition and maintenance records are up to date.

Brake is functioning properly.

PRE LOAD CHART

OZIND025 = 44 lbs.

OZIND075 = 77 lbs.

OZIND150 = 84 lbs.

OZIND300 = 110 lbs.

During Hoist Operation:

Maintain secure footing to prevent slipping and injury while operating.

Confirm that hoist unit is attached securely to a support before operation.

Verify hook latches are not supporting any of the load.

Do not hold the chain during hoist operation.

Slowly take up the load, verifying it is well supported and balanced before proceeding.

Lever Hoist Operation

Free Chain Operation- Allows the unloaded hook to be moved to the desired position by hand in order to attach the load.

1. Place the selector to the Neutral position.
2. Pull the load chain to the desired position to attach the load.
3. To disengage the free chain operation, move the directional lever to the (up) or (down) position.
4. Pull the unit in both directions to assure it is out of free chain mode.

Attaching the Load

1. If there are no twists in the chain proceed on to attach the lower hook to the load.
2. Do not use the chain to wrap around the load.
3. The load should be seated in the bowl of the hook and should not bear against the tip of the hook or latch.
4. The hook latch should be tightly closed against the hook tip
5. Assure that the upper and lower hooks form a straight line and frame is able to swivel.

Lifting the Load

1. Place selector in the load (Up) position.
2. In this position the brake is engaged as lever stops in order to support the load.
3. Manually ratchet the lever in a clockwise rotation to lift the load.
4. Begin slowly in order to verify load is correctly seated and hoist is functioning properly.

Lowering the Load

1. Place the selector in the unload (Down) position.
2. In this position the brake is engaged as lever stops in order to support the load.
3. Manually ratchet the lever in a counterclockwise rotation to lower the load.

Inspection

In order to maintain quality operation of the product, a regular inspection schedule should be set up by each operator. All inspections should be reported and maintained in a dated record log. These records should be available to all personnel involved with the product, and should be made available to OZ Lifting Products when a warranty issue is in question.

Definitions

The following definitions are from the ANSI/ASME B03.21 and will be used in the inspections procedure that follows.

Designated Person- a person who is selected or assigned as being competent to perform specific duties to which they are assigned.

Qualified Person- a person that by possession of a recognized degree or certificate of professional standing, or through extensive knowledge, training, and experience, has successfully demonstrated they are able to resolve problems relating to the subject matter and work.

Normal Service- service that involves operation with randomly distributed loads within the rated load limit, or uniform loads less than 65% of rated load for not more than 15% of the time.

Heavy Service- service that involves operation within the rated load limit that exceeds normal service.

Severe Service- service that involves normal or heavy service with abnormal operating conditions.

Inspection Classifications

Initial inspection should be done on all new, modified, and repaired products in accordance with Table 1. Thereafter, items to be inspected are indicated in Table 1 by F (Frequent) or P (Periodic). For hoists exposed to more severe environmental conditions inspections should be more frequent.

Frequent Inspections

The operator or other designated person performs frequent inspections by doing a visual examination and by listening for unusual sounds while product is operating. Frequent inspections are usually performed on the following schedule:

Normal Service- Monthly inspections

Heavy Service- Weekly to monthly inspections

Severe Service- Daily or before each use to weekly inspections

Periodic Inspections

A designated person performs periodic inspections, which are more detailed inspections, by doing visual examinations of external and internal conditions. These inspections are done on the following schedule:

Normal Service- Yearly inspection

Heavy Service- Semi-annually inspections

Severe Service- Quarterly inspections

TABLE 1 - INSPECTION CHART

In chart, **F** indicates Frequent Inspection, **P** indicates Periodic Inspection

LOCATION		CHECK FOR	F	P
Braking mechanism		Slipping under load	•	
		Hard to release	•	
Brake parts:	Brake Discs	Glazing		•
		Oil contamination		•
	Pawl: Ratchet	Excessive wear		•
	Pawl: Spring	Corrosion: stretch		•
Hook		Chemical damage	•	
		Operation	•	
		Deformation	•	
		Cracks (dye penetrant, magnetic particle, or other suitable detection method)		•
Hook retaining members Not tight or secure (Pins, Bolts, Nuts)		Not tight, secure or damaged		•
Hook Latch		Damaged; does not close	•	
Suspension Members (Sheaves, Hand-wheels, Chain attachments, Suspension bolts or pins)		Excessive wear		•
		Cracks	•	•
Gears		Distortion		•
		Broken or worn teeth		•
		Cracks		•
		Inadequate lubrication		•
Load Block: Suspension housing		Distortion	•	•
		Crack	•	•
Trolley: Supporting structure		Possible inability to continue supporting loads or damaged		•
Bolts, Nuts, Rivets		Not tight or secure		•
WARNING Labels		Removed or not legible	•	
Hoist Lever		Bent, cracked	•	
Proper operation		Unusual sounds	•	

IMPORTANT

Any deficiency found on this inspection chart should be corrected before the hoist is put back into service.

Note: Following disassembly of the hoist during inspection, a load test is required by ANSI/ASME B30.21 and should be done before the product is put back into operation.

Hook Inspection

Warnings:

1. Any OZ hook that requires replacement because of excessive bends, twists, or throat opening indicates abuse or overloading of the product. Therefore, other load-supporting components of the product should be inspected for possible damage when such conditions are found.
2. Never repair hooks by welding or reshaping. Heat applied to the hook will alter the original heat treatment of the hook material and reduce the strength of the hook.
3. Never weld handles or other attachments to the hook.

Hook Inspection Procedure

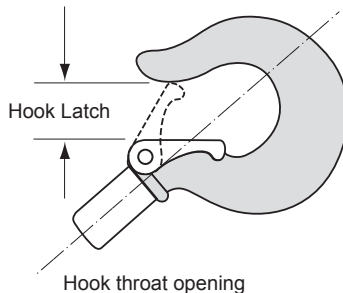
Where applicable, inspect hooks and measure throat opening at least once a month. Between regular inspections daily inspections of the hooks should be done. Check for the following:

- Deformation, distortion, twisting, damage
- Missing, bent, or damaged hook latches
- Chemical damage, deformation, or cracks
- Greater than a 10-degree twist from the plane of unbent hook
- Excessive opening or seat wear

Hook Latch

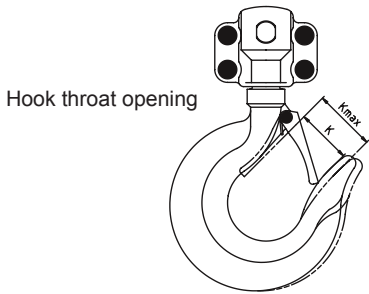
Hook latch inspection should include the following:

Replace hooks that are opened to an extent that the latch does not engage the tip.

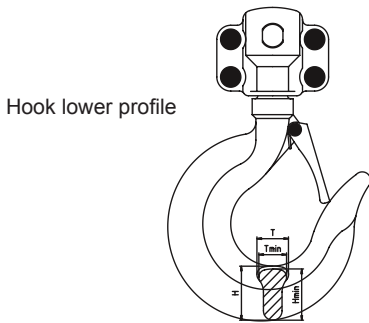


Latch should have enough spring pressure to keep it tight against the tip of the hook and allow it to spring back to the tip when released

Use the following chart to determine when the hook must be replaced. Replacement of the hook is necessary if any of the previous page problems are found or the maximum dimensions on the charts that follow are reached.



Size	Standard K (mm) (in)	Max K (mm) (in)
0.25 ton	21 (.83")	23 (.91")
0.75 ton	26 (1.02")	28.5 (1.12")
1.5 ton	32.5 (1.27")	35.5 (1.39")
3 ton	37 (1.45")	40.5 (1.59")



Size	Standard H (mm) (in)	Min H (mm) (in)	Standard T (mm) (in)	Min T (mm) (in)
.25 ton	16.1 (.63")	15.5 (.61")	11 (.43")	10.7 (.42")
.75 ton	21.5 (.84")	19.3 (.75")	13 (.51")	11.7 (.46)
1.5 ton	28.8 (1.13")	25.9 (1.01")	17 (.66")	15.3 (.60")
3 ton	42.9 (1.68")	39.5 (1.55")	25 (.98")	22.5 (.88")

Chain Inspection

Inspect chain before each use. Between regular inspections visually check on a daily basis the following:

- Clean chain before inspection using a non-caustic/non-acid solvent
- Lubrication of the chain may be necessary if it binds up or is noisy
- Chain feeds smoothly into and from the hoist and does not emit cracking noise when hoisting a load
- Visually examine link by link for any nicks, gouges, weld splatter, corrosion, or distorted links pay close attention to chain's contact points, which may show excessive wear.
- Test hoist with load and observe operation of chain over load sheaves.



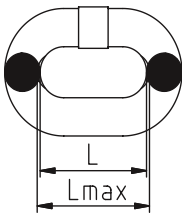
Chain Warnings:

Caution: It must be recognized that certain factors in the usage of chain and attachments can be abusive and lessen the load that the chain or attachments can withstand. Some examples are twisting of the chain, disfigurement, deterioration by straining, usage, weathering and corrosion, rapid application of load or jerking applying excessive loads, and sharp corners cutting action.

Due to the crushing effect Grab Hooks have upon chain, the design factor of all assemblies must be reduced by 20% for Grab Hook applications.

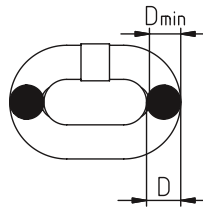
Use the following chart to determine when the chain must be replaced. Replacement of the entire chain is necessary if any of the previous page problems are found or the maximum dimensions on the charts that follow are reached.

Load Chain - One link length



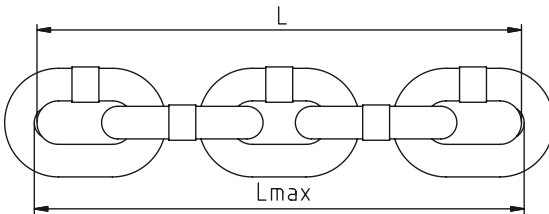
Dia	Standard L (mm) (in)	Max L (mm) (in)
4mm	12 (.47")	12.26 (.48")
6mm	18 (.74")	18.9 (.74")
8mm	24 (.94")	25.2 (.99")
10mm	30 (1.18")	31.5 (1.24")

Load Chain - Diameter



Dia	Standard D (mm) (in)	Min D (mm) (in)
4mm	4 (.16")	3.8 (.15")
6mm	6 (.23")	5.4 (.21")
8mm	8 (.31")	7.2 (.28")
10mm	10 (.39")	9 (.35")

Load Chain - Five link length



Dia	Standard L (mm) (in)	Max L (mm) (in)
4mm	60 (2.36")	61.3 (2.41")
5mm	75 (2.95")	77.5 (3.05")
6mm	90 (3.54")	92.7 (3.64")
8mm	120 (4.72")	123.6 (4.86")
10mm	150 (5.90")	154.5 (6.08")

Maintenance

Lubrication

Proper lubrication with machine oil is necessary to increase the life of the chain. Lubrication should be done based on usage and on a regular basis. It may be necessary on a weekly basis for heavy use or monthly if used less often.

- Clean the chain with an acid free cleaning solution to remove debris.
- Apply oil to chain focusing on bearing surfaces such as interlink areas.
- Do not apply oil to braking surfaces.
- Gears and shafts run on steel bearings and do require lubrication.

Disassembly to Replace Load Sheave or Stripper

1. Remove the chain
2. Remove the lock nut, screw, lock washer, hand wheel, lever handle, overload/brake cover assembly, female thread grip, friction disc, ratchet disc, free spring, and disc hub.
3. From the gear side remove the gear case assembly, disk gear assembly, and drive shaft. Then remove the snap ring, splined gear, and gear side plate assembly. Slide the load sheave out of the gear side plate. Now the stripper can also be removed.

Assembly

Before reassembly check each part for damage, corrosion, or excessive wear. Replace parts as necessary. Re-assemble the hoist in reverse order to the disassembly steps listed above. Once assembled the chain can be installed and before use the unit should be tested for proper function.

Storage of Hoist

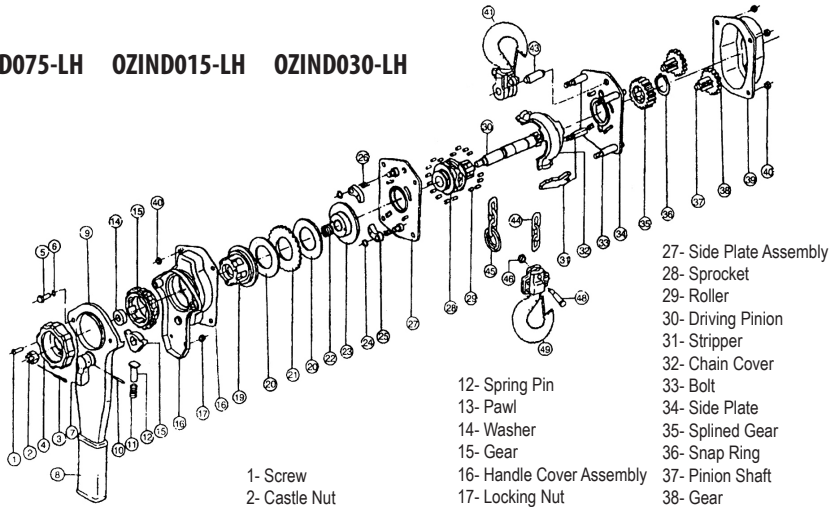
Store the hoist in a clean dry area.
Maintain proper lubrication of the hoist while it is being stored.
If the hoist is malfunctioning clearly mark it before placing it in storage.

Outdoor Hoist Usage

Store hoist indoors when not in use.
Frequently inspect the hoist for signs of corrosion due to environmental factors.

Parts List

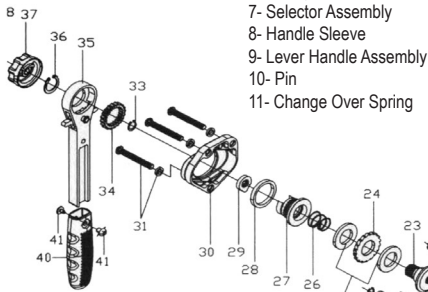
OZIND075-LH OZIND015-LH OZIND030-LH



- 1- Screw
- 2- Castle Nut
- 3- Split pin
- 4- Hand Wheel
- 5- Hex Screw
- 6- Spring Washer
- 7- Selector Assembly
- 8- Handle Sleeve
- 9- Lever Handle Assembly
- 10- Pin
- 11- Change Over Spring

- 12- Spring Pin
- 13- Pawl
- 14- Washer
- 15- Gear
- 16- Handle Cover Assembly
- 17- Locking Nut
- 18- Cover
- 19- Brake Nut
- 20- Friction Disc
- 21- Ratchet Disc
- 22- Spring
- 23- Brake Seat
- 24- Snap Ring
- 25- Pawl
- 26- Pawl Spring

- 27- Side Plate Assembly
- 28- Sprocket
- 29- Roller
- 30- Driving Pinion
- 31- Stripper
- 32- Chain Cover
- 33- Bolt
- 34- Side Plate
- 35- Splined Gear
- 36- Snap Ring
- 37- Pinion Shaft
- 38- Gear
- 39- Gear Case Assembly
- 40- Locking Nut
- 41- Top Hook Assembly
- 43- Top Hook Shaft
- 44- Load Chain
- 45- End Chain Ring
- 46- Locking Nut
- 48- Suspension Pin
- 49- Bottom Hook Assembly



OZIND025-LH

- 1- Top Hook Assembly (Incl. #2)
- 2- Safety Latch Kit
- 3- Top Hook Shaft
- 4- Bottom Hook Assembly (Incl. #2)
- 5- Chain Pin & Locking Nut
- 7- Gear Case
- 8- Reinforced Plate
- 9- Load Gear
- 10- Driving Pinion
- 11- Right Side Plate
- 12- Chain Stripper
- 13- Stay Bolt
- 14- Pin
- 15- Load Sheave Assembly
- 16- Load Gear
- 17- Load Sheave
- 18- Chain Guide
- 19- Left Side Plate Assembly
- 20- Pawl Spring
- 21- Pawl

- 22 Snap Ring for Pawl
- 23 Brake Seat
- 24 Ratchet Disc
- 25 Friction Disc
- 26 Spring
- 27 Brake Plate
- 28 Bushing
- 29 Stop Knob
- 30 Brake Cover
- 31 Socket Head Screw & Spring Washer
- 33 Snap Ring for Brake Seat
- 34 Chang Over Gear
- 35 Lever Handle Assembly
- Lever Handle
- Selector Lever
- Change Over Pawl
- Snap Ring for Change Over
- Pawl Roller
- Change Over Spring

- 36 Snap Ring
- 37 Hand Wheel
- 38 Snap Ring for Hand Wheel
- 40 Handle Sleeve
- 41 Bolt & Nut
- 48 Load Chain
- 49 End Ring

FR

GUIDE DE L'OPÉRATEUR



PALAN À LEVIER 0,25 TONNE 0,75 TONNE 1,5 TONNE 3 TONNES

**Ces palans à levier
répondent ou dépassent
les normes suivantes :**

**CE
ASME B30.21**



P.O. Box 845, Winona, MN 55987
Téléphone +1 (800) 749-1064
+1 (507) 474-6250

Soutien technique +1 (507) 457-3346
Télécopieur +1 (507) 452-5217
sales@ozliftingproducts.com
www.ozliftingproducts.com



Table des matières

p. 2.....	Caractéristiques et avantages du produit
p. 3.....	Garantie/Politique de garantie
p. 4.....	Renseignements importants et mesures de sécurité
p. 5.....	Avertissements
p. 6.....	Renseignements techniques
p. 7.....	Pré-installation
p. 8.....	Fonctionnement
p. 9.....	Inspection
p. 10.....	Inspection
p. 11.....	Inspection
p. 12.....	Inspection
p. 13.....	Inspection
p. 14.....	Entretien
p. 15.....	Liste des pièces

Caractéristiques et avantages du produit

- **Construction entièrement en acier**
- **Chaîne de levage en alliage G80**
- **Train d'engrenages entièrement enfermé**
- **Frein automatique protégé contre les intempéries**
- **Protection de peinture enduite de poudre**
- **Certificat de mise à l'essai inclus**
- **Chaque appareil est mis à l'essai à 125 % de sa capacité de charge**

GARANTIE D'UN AN

OZ Lifting Products LLC® garantit ce produit contre les défauts de fabrication et de conception pendant un an à compter de la date d'expédition.

Cette garantie ne s'applique pas aux produits indiquant qu'il y a eu abus, surcharge, altération, mauvais entretien ou négligence. L'usure normale des pièces en mouvement est exclue de la garantie. Exemples de pièces en mouvement : disques de frein, câbles métalliques et autres composants qui s'usent. Cette garantie ne couvre pas les coûts liés au retrait de ce produit, au temps perdu ou autres dommages/coûts accessoires ou consécutifs liés aux défauts contre lesquelles il y a réclamation.

Si ce produit tombe en panne dans la première année pour cause de fabrication ou de conception, il sera réparé ou remplacé à la discrétion de OZ Lifting Products LLC®. Tout produit sous garantie pour lequel il y a réclamation doit être retourné prépayé à un dépôt de garantie OZ Lifting Products LLC® avec preuve d'achat. Une fois réparé, le produit sera retourné au client sans frais. S'il devait s'avérer qu'il n'y avait aucune défektivité, les frais d'expédition de retour seront imputés au client. La garantie du produit continuera pour le reste de la période originale (un an à compter de la date d'expédition).

OZ Lifting Products LLC® n'est pas responsable de ce qui suit relatif à l'utilisation de ce produit : blessures ou dommages matériels, morts, dommages accessoires, consécutifs ou indirects, que ce soit par négligence ou à dessein. Il incombe exclusivement au propriétaire d'installer et de faire fonctionner le produit convenablement et sécuritairement.

Il s'agit de la seule garantie écrite de OZ Lifting Products LLC®. Cette garantie est en lieu et place de toute autre garantie qu'implique la loi, p. ex. qualité marchande ou aptitude. La vente de produits OZ Lifting Products LLC® en vertu de toute autre garantie expresse ou impliquée n'est pas autorisée.

REMARQUE : OZ Lifting Products LLC® a le droit de modifier la conception ou de discontinuer la production de tout produit sans préavis.

Pour en savoir plus, contacter :



OZ Lifting Products LLC®
P.O. Box 845, Winona, MN 55987
Téléphone +1 (800) 749-1064
+1 (507) 474-6250
Soutien technique +1 (507) 457-3346
Télécopieur +1 (507) 452-5217
sales@ozliftingproducts.com
www.ozliftingproducts.com

Renseignements importants et mesures de sécurité

Ce manuel contient des instructions générales sur l'installation, le fonctionnement et l'entretien normaux des produits décrits aux présentes.

Ce produit ne doit pas être installé, opéré ou entretenu par quiconque n'ayant pas lu ces instructions au complet. Le défaut de lire et respecter ces instructions, avertissements ou limitations pourrait entraîner des blessures, la mort ou des dommages matériels. Contacter le distributeur pour en savoir plus si vous ne comprenez pas toutes les instructions.

Il incombe au propriétaire/à l'utilisateur d'installer, de mettre à l'essai, d'entretenir et de faire fonctionner ces produits conformément aux règlements de l'OSHA et aux autres règlements fédéraux, d'État et locaux, ainsi qu'aux normes ASME, dont :

- ASME B30.21 – Palans à levier à bras
- Autres volumes applicables ASME B30

Seules des personnes formées et qualifiées doivent faire fonctionner et entretenir cet équipement.

Conservation de dossiers

Prévoir des inspections et des entretiens réguliers du produit et en conserver des dossiers conformément aux normes ASME.

Indiquer le numéro de série de vos palans sur la couverture avant de ce manuel aux fins de commodité.

Mesures de sécurité

Ne pas utiliser les produits OZ Lifting® avec d'autres équipements à moins que le concepteur du système, le fabricant, l'installateur ou l'utilisateur ait appliqué les dispositifs de sécurité nécessaires. Les modifications visant à mettre à niveau, à reclasser ou à changer ces produits doivent être autorisées par le fabricant original.

Les palans doivent être utilisés pour lever les charges au sein de leurs capacités de charge seulement.

Ces palans à levier répondent ou dépassent les normes suivantes :

CE
ASME B30.21



Avertissements

Le défaut de lire et respecter ces instructions, avertissements ou limitations pourrait entraîner des situations dangereuses menant à des blessures, la mort ou des dommages matériels.

Ne pas faire fonctionner le palan autrement que manuellement.

Ne pas utiliser le palan à levier avec une extension sur la poignée.

Ne pas faire fonctionner si le linguet du crochet manque ou qu'il ne fonctionne pas bien.

Ne pas lever plus que la capacité de charge.

Ne pas faire fonctionner le produit quand il n'est pas aligné dans la direction de levage.

Ne pas faire fonctionner si la chaîne est torsadée, pliée ou endommagée.

Ne pas faire fonctionner si la chaîne n'est pas logée dans les poulies ou pignons.

Ne pas entortiller la chaîne autour de la charge ou utiliser la chaîne comme élingue.

Ne pas faire fonctionner jusqu'à ce que la chaîne soit bien logée dans la poulie de levage.

Ne pas faire fonctionner à moins que la charge ait été bien logée dans la selle ou le bol du crochet.

Ne pas faire fonctionner si la charge est appliquée à la pointe du crochet.

Ne pas lever de personnes.

Ne pas lever de charges au-dessus de personnes.

Ne pas faire fonctionner au-delà de la course de la chaîne de levage.

Ne pas faire fonctionner en tirant sur le palan ou en le chargeant latéralement.

Ne pas faire fonctionner un produit endommagé ou qui ne fonctionne pas correctement.

Ne pas enlever, dégrader ou obscurcir les étiquettes d'avertissement.

Ne pas laisser une charge suspendue sans surveillance à moins que des mesures de sécurité spécifiques aient été appliquées.

Ne pas allonger la chaîne ou réparer une chaîne de levage endommagée en la soudant.

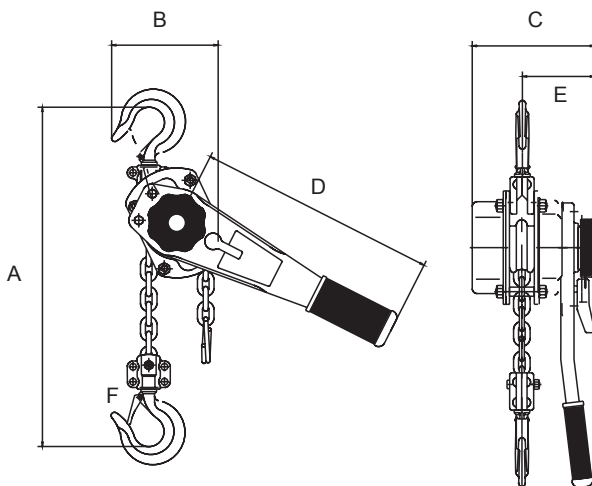
Ne pas utiliser la chaîne comme mise à la terre électrique ou de soudage.

Ne pas faire fonctionner avant d'avoir averti le personnel que des charges approchent et qu'il ait eu le temps de céder la place.



Renseignements techniques

(0,25, 0,75, 1,5 et 3 tonnes)



Spécifications

Modèle	OZIND025-LH	OZIND075-LH	OZIND150-LH	OZIND300-LH	
Capacité	0,25 tonne	0,75 tonne	1,5 tonne	3 tonnes	
Effort requis pour lever la capacité de charge	44 lb	40 lb	66 lb	88 lb	
Brins de chaîne	1	1	1	1	
Diamètre de la chaîne de levage	4x12 mm	6x18 mm	8x24 mm	10x30 mm	
Dimensions	A	9,45 po	13,38 po	16,14 po	20,07 po
	B	3,62 po	5,31 po	5,91 po	8,27 po
	C	3,86 po	6,02 po	6,89 po	7,83 po
	D	6,3 po	12,2 po	16,34 po	16,34 po
	E	2,36 po	3,62 po	3,98 po	4,45 po
Ouverture des crochets supérieur et inférieur	F	0,83 po	1,1 po	1,26 po	1,5 po
Poids net	3,8 lb	11,8 lb	20 lb	35,6 lb	
Emballage (po)	26x11,6x11	38x13,5x17,5	51x15x21,5	53,5x17x23	

***Installations personnalisées disponibles**

Pré-installation

Vérifier s'il y a eu des dommages en cours d'expédition. Ne pas installer ou ne pas utiliser un produit endommagé. S'assurer que la capacité de charge de toute structure ou de tout autre équipement qui supportera le produit est égale ou supérieure à la capacité de charge du produit utilisé.

Avant d'utiliser le produit pour la première fois :

Lire et respecter tous les instructions et avertissements que contient le produit ou qui y sont joints, le cas échéant.

Vérifier le fonctionnement du frein.

Le cas échéant, s'assurer que la chaîne est bien logée dans les poulies et qu'elle n'est pas torsadée, pliée ou endommagée.

Corriger toutes les irrégularités de la chaîne avant de l'utiliser.

S'assurer que toutes les structures de soutien peuvent supporter le palan et la charge.

S'assurer que le palan est bien fixé.

S'assurer que tous les boulons, écrous et goupilles fendues sont fixés.

Avant chaque quart de travail, le cas échéant :

Inspecter les crochets pour entailles, gouges, fissures et signes d'étirement ou d'entortillage.

Inspecter le linguet du crochet pour vous assurer qu'il fonctionne bien.

Vérifier s'il y a pliage ou torsades de la chaîne.

Vérifier le fonctionnement des freins.

Remplacer l'étiquette d'avertissement si elle manque ou qu'elle est illisible.

Avant de faire fonctionner :

S'assurer que tout le personnel est tenu à l'écart de la charge qui sera levée et déplacée.

S'assurer qu'il n'y a pas d'obstacles, de machines ou autres obstructions avant de lever et de faire fonctionner.

S'assurer que la zone de fonctionnement du palan est suffisante pour faire fonctionner le levier, pour que l'opérateur et d'autres employés puissent se tenir à proximité et pour que le chevalement puisse pivoter librement sur le crochet supérieur.

Fonctionnement

Avertissements et mesures de sécurité

Les opérateurs de palan doivent lire complètement et comprendre tout ce manuel, ainsi que tous les avertissements sur le palan, avant de le faire fonctionner. Si on ne lit pas ce manuel et qu'on ne s'y conforme pas, il pourrait y avoir blessures.

Exigences relatives à l'opérateur :

Lire complètement et comprendre tout ce manuel avant de faire fonctionner le palan.

Vous devez être formés quant au bon fonctionnement du palan et à la prise en charge des défaillances potentielles.

Vous ne devez pas faire fonctionner le palan sous l'effet d'alcool, de médicaments ou de drogues.

Vous ne devez pas faire fonctionner le palan quand vous êtes fatigué ou distrait.

Vous ne devez pas faire fonctionner le palan si vous avez un historique de crises ou autres troubles médicaux qui risquent de nuire au fonctionnement du palan.

Vos coordination et vision doivent être bonnes.

Avant de faire fonctionner, s'assurer que :

Le palan est propre et bien lubrifié.

Le palan est en bon état et les dossiers d'entretien sont à jour.

Le frein fonctionne bien.

TABLEAU PRÉCHARGEMENT

OZIND025 = 44 lb

OZIND075 = 77 lb

OZIND150 = 84 lb

OZIND300 = 110 lb

Pendant que vous faites fonctionner le palan :

Rester en équilibre pour ne pas glisser et vous blesser.

S'assurer que le palan est bien fixé à un support avant de l'utilisation.

S'assurer que les linguets des crochets ne supportent aucune partie de la charge.

Ne pas tenir la chaîne.

Lever la charge graduellement, vous assurant qu'elle est bien supportée et équilibrée avant de continuer.

Fonctionnement du palan à levier

Fonctionnement chaîne libre – Vous permet de déplacer le crochet déchargé où vous voulez manuellement pour attacher la charge.

1. Mettre le sélecteur en position neutre.
2. Tirer la chaîne de levage jusqu'où vous la voulez pour attacher la charge.
3. Pour dégager du fonctionnement chaîne libre, déplacer le levier directionnel vers le haut ou vers le bas.
4. Tirer l'appareil dans les deux directions pour vous assurer qu'il n'est plus en mode chaîne libre.

Attacher la charge

1. Si la chaîne n'est pas torsadée, attacher le crochet inférieur à la charge.
2. Ne pas entortiller la chaîne autour de la charge.
3. La charge doit être logée dans le bol du crochet et ne doit pas reposer contre la pointe du crochet ou le linguet.
4. Le linguet du crochet doit être bien fermé contre la pointe du crochet.
5. S'assurer que les crochets supérieur et inférieur forment une ligne droite et que le chevalement peut pivoter.

Lever la charge

1. Déplacer le sélecteur vers le haut (position de chargement).
2. Le frein est alors engagé, le levier s'arrêtant pour supporter la charge.
3. Faire tourner le levier manuellement dans le sens horaire pour lever la charge.
4. Commencer lentement pour vous assurer que la charge est bien logée et que le palan fonctionne bien.

Baisser la charge

1. Déplacer le sélecteur vers le bas (position de déchargement).
2. Le frein est alors engagé, le levier s'arrêtant pour supporter la charge.
3. Faire tourner le levier manuellement dans le sens antihoraire pour baisser la charge.

Inspection

Pour que la qualité de fonctionnement du produit soit bonne, l'opérateur doit faire inspecter le produit régulièrement. Toutes les inspections doivent être consignées et conservées dans un journal. Ces dossiers doivent être accessibles à tout le personnel qui utilise le produit et à OZ Lifting Products® quand il y a un problème lié à la garantie.

Définitions

Les définitions suivantes sont tirées de ANSI/ASME B03.21 et doivent être utilisées lors de la procédure d'inspection suivante.

Personne désignée – une personne sélectionnée ou affectée qui est en mesure d'exécuter les tâches spécifiques qui lui ont été attribuées.

Personne qualifiée – une personne qui possède un diplôme ou certificat de compétence professionnelle reconnu ou qui, vu ses connaissances, à sa formation à son expérience exhaustives, a démontré avec succès qu'elle peut résoudre les problèmes liés à la matière et au travail.

Service normal – fonctionnement avec des charges distribuées aléatoirement à l'intérieur de la limite de charge nominale ou des charges uniformes de moins de 65 % de la capacité de charge au plus 15 % du temps.

Service lourd – fonctionnement au sein de la limite de charge nominale au-delà du service normal.

Service rigoureux – service normal ou lourd dans des conditions de fonctionnement anormales.

Classifications d'inspection

Une inspection initiale doit être effectuée sur tout produit nouveau, modifié et réparé conformément au tableau 1. Ensuite, les articles à inspecter sont indiqués dans le tableau 1 par F (fréquemment) ou P (périodiquement).

Pour les palans exposés à des conditions ambiantes plus sévères, les inspections doivent être plus fréquentes.

Inspections fréquentes

L'opérateur ou autre personne désignée doit effectuer des inspections fréquentes visuellement et déterminer s'il y a des sons inusités qui se produisent pendant que le produit fonctionne. Les inspections fréquentes, en règle générale, sont effectuées selon l'horaire suivant :

Service normal – Inspections mensuelles

Service lourd – Inspections mensuelles ou hebdomadaires

Service rigoureux – Inspections quotidiennes ou avant chaque utilisation/inspections hebdomadaires

Inspections périodiques

Une personne désignée effectue des inspections périodiques, lesquelles sont plus détaillées, en inspectant visuellement les conditions externes et internes. Ces inspections se font selon l'horaire suivant :

Service normal – Inspection annuelle

Service lourd – Inspections semi-annuelles

Service rigoureux – Inspections trimestrielles

TABLEAU 1 – TABLEAU D'INSPECTION

Dans ce tableau, **F** indique Inspection fréquente, **P** indique Inspection périodique

EMPLACEMENT		VÉRIFIER S'IL Y A	F	P
Mécanisme de freinage		Glissement sous la charge	•	
		Difficulté à relâcher	•	
Pièces de frein :	Disques de frein	Émaillage		•
		Contamination d'huile		•
	Cliquet : Rochet	Usure excessive		•
	Cliquet : Ressort	Corrosion : étirement		•
Crochet		Dommages chimiques	•	
		Fonctionnement	•	
		Déformation	•	
		Fissures (pénétrant coloré, particules magnétiques ou autre méthode de détection appropriée)		•
Dispositifs qui retiennent le crochet Non serrés ou sécuritaires (attaches, boulons, écrous)		Non serrés, non sécuritaires ou endommagés		•
Linguet du crochet		Endommagé; ne ferme pas	•	
Dispositifs de suspension (poulies, roues de manœuvre, fixations de chaîne, boulons ou attaches de suspension)		Usure excessive		•
		Fissures	•	•
Engrenages		Distorsion		•
		Dents brisées ou usées		•
		Fissures		•
		Lubrification inadéquate		•
Bloc de levage : Boîtiers de suspension		Distorsion	•	•
		Fissure	•	•
Chariot : Structure support		Risque de ne plus pouvoir supporter les charges ou dommages		•
Boulons, écrous, rivets		Desserrés ou non sécuritaires		•
Étiquettes d'AVERTISSEMENT		Enlevées ou non lisibles	•	
Levier de levage		Ployé, fissuré	•	
Bon fonctionnement		Bruits inhabituels	•	

IMPORTANT

Tout problème découvert sur ce tableau d'inspection doit être corrigé avant que le palan soit remis en service.

Remarque : Après qu'il y a eu désassemblage du palan en cours d'inspection, un essai de charge est requis en vertu de ANSI/ASME B30.21 et il doit être effectué avant que le produit soit remis en service.

Inspection du crochet

Avertissements :

1. Tout crochet OZ qui doit être remplacé pour cause de plis, de torsades ou d'ouverture de la gorge excessifs indique qu'il y a eu abus ou surcharge du produit. Donc, le reste des composants qui supportent la charge du produit doivent être inspectés pour dommages possibles quand on découvre des conditions semblables.
2. Ne jamais réparer les crochets en les soudant ou en les reformant. La chaleur appliquée au crochet modifiera le traitement thermique original du crochet et en réduira la résistance.
3. Ne jamais souder des poignées ou autres fixations au crochet.

Procédure d'inspection des crochets

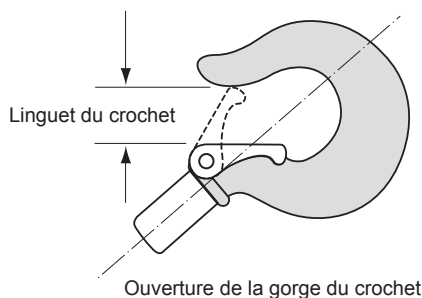
Le cas échéant, inspecter les crochets et mesurer l'ouverture de la gorge au moins une fois par mois. Entre ces inspections régulières, inspecter les crochets tous les jours. Vérifier ce qui suit :

- Déformation, distorsion, torsades, dommages
- Linguets des crochets manquants, ployés ou endommagés
- Dommages chimiques, déformations ou fissures
- Torsade de plus de 10 degrés du plan du crochet non ployé
- Ouverture ou usure du siège excessive

Linguet du crochet

L'inspection du linguet du crochet doit inclure ce qui suit :

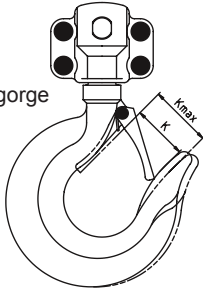
Remplacer les crochets qui sont ouverts au point où le linguet ne s'enclenche pas à la pointe.



La pression du ressort du linguet doit être suffisante pour qu'il reste appuyé fermement contre la pointe du crochet et qu'il revienne en place une fois relâché.

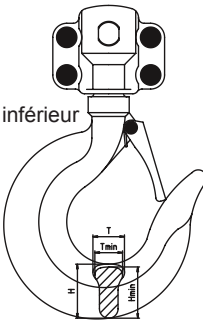
Utiliser le tableau suivant pour déterminer quand le crochet doit être remplacé. Vous devez remplacer le crochet si un problème sur les pages précédentes a été découvert ou que les dimensions maximales dans les tableaux suivants ont été atteintes.

Ouverture de la gorge du crochet



Taille	K standard (mm) (po)	K max (mm) (po)
0,25 tonne	21 (0,83 po)	23 (0,91 po)
0,75 tonne	26 (1,02 po)	28,5 (1,12 po)
1,5 tonne	32,5 (1,27 po)	35,5 (1,39 po)
3 tonnes	37 (1,45 po)	40,5 (1,59 po)

Profil du crochet inférieur

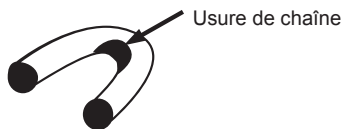


Taille	H standard (mm) (po)	H min (mm) (po)	T standard (mm) (po)	T min (mm) (po)
0,25 tonne	16,1 (0,63 po)	15,5 (0,61 po)	11 (0,43 po)	10,7 (0,42 po)
0,75 tonne	21,5 (0,84 po)	19,3 (0,75 po)	13 (0,51 po)	11,7 (0,46 po)
1,5 tonne	28,8 (1,13 po)	25,9 (1,01 po)	17 (0,66 po)	15,3 (0,60 po)
3 tonnes	42,9 (1,68 po)	39,5 (1,55 po)	25 (0,98 po)	22,5 (0,88 po)

Inspection de la chaîne

Inspecter la chaîne avant chaque utilisation. Entre les inspections régulières, vérifier visuellement ce qui suit tous les jours :

- Nettoyer la chaîne avant de l'inspecter avec un solvant non caustique/non acide
- Il se peut que la lubrification de la chaîne soit nécessaire si elle est grippée ou bruyante
- La chaîne entre dans le palan et en sort régulièrement et n'émet pas de claquements lors du levage d'une charge
- Examiner visuellement la chaîne maillon par maillon pour entailles, gouges, éclaboussures de soudure, corrosion ou maillons déformés et porter une attention toute particulière aux points de contact de la chaîne où il peut y avoir usure excessive.
- Vérifier le palan avec une charge et observer le fonctionnement de la chaîne sur les poulies de levage.



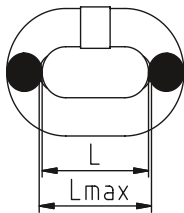
Avertissements relatifs à la chaîne :

Mise en garde : Certains facteurs d'utilisation de la chaîne et des fixations peuvent s'avérer néfastes et réduire la charge que la chaîne et les fixations peuvent assumer. Exemples : tortillage de la chaîne, défigurement, détérioration pour cause de tension, d'utilisation, de météorisation et de corrosion, application rapide de charges ou de coups occasionnés par des charges excessives et des virages brusques.

Vu les effets de pression que produisent les crochets grappins sur la chaîne, le coefficient de sécurité de tous les assemblages doit être réduit de 20 % pour les applications avec crochets grappins.

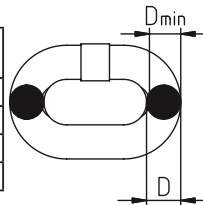
Utiliser le tableau suivant pour déterminer quand la chaîne doit être remplacée. Vous devez remplacer toute la chaîne si un problème sur les pages précédentes a été découvert ou que les dimensions maximales dans les tableaux suivants ont été atteintes.

Chaîne de levage – Un maillon



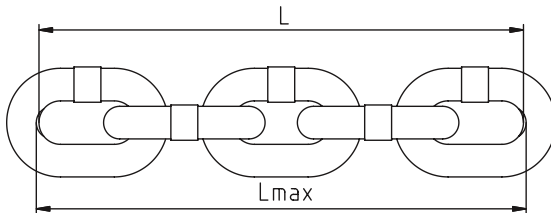
Dia.	L standard (mm) (po)	L max (mm) (po)
4 mm	12 (0,47 po)	12,26 (0,48 po)
6 mm	18 (0,74 po)	18,9 (0,74 po)
8 mm	24 (0,94 po)	25,2 (0,99 po)
10 mm	30 (1,18 po)	31,5 (1,24 po)

Chaîne de levage – Diamètre



Dia.	D standard (mm) (po)	D min (mm) (po)
4 mm	4 (0,16 po)	3,8 (0,15 po)
6 mm	6 (0,23 po)	5,4 (0,21 po)
8 mm	8 (0,31 po)	7,2 (0,28 po)
10 mm	10 (0,39 po)	9 (0,35 po)

Chaîne de levage – Cinq maillons



Dia.	L standard (mm) (po)	L max (mm) (po)
4 mm	60 (2,36 po)	61,3 (2,41 po)
5 mm	75 (2,95 po)	77,5 (3,05 po)
6 mm	90 (3,54 po)	92,7 (3,64 po)
8 mm	120 (4,72 po)	123,6 (4,86 po)
10 mm	150 (5,90 po)	154,5 (6,08 po)

Entretien

Lubrification

Vous devez bien lubrifier avec de l'huile à engrenage pour augmenter la durée de vie de la chaîne. La lubrification est en fonction de l'utilisation et doit être effectuée régulièrement. Il se peut que ce doive être toutes les semaines en cas d'utilisation lourde ou tous les mois en cas d'utilisation moins fréquente.

- Nettoyer la chaîne avec une solution de nettoyage sans acide pour enlever les débris.
- Appliquer de l'huile sur la chaîne, surtout la surface des roulements, p. ex. zones d'interconnexion.
- Ne pas appliquer d'huile aux surfaces de freinage.
- Les engrenages et les arbres fonctionnent sur des roulements en acier et exigent qu'il y ait lubrification.

Désassembler pour remplacer la poulie de levage ou le strippeur

1. Retirer la chaîne
2. Retirer l'écrou auto-freiné, la vis, la rondelle à ressort, la roue de manœuvre, la poignée de levier, l'assemblage de couvercle de surcharge/frein, la prise de filet femelle, le disque d'embrayage, le disque à rochet, le ressort libre et le moyeu de disque.
3. Côté engrenages, retirer l'assemblage du carter d'engrenage, l'assemblage des disques d'engrenage et l'arbre de transmission. Puis retirer l'anneau de retenue, le pignon claveté et l'assemblage de la plaque côté engrenages. Faire glisser la poulie de levage de la plaque côté engrenages. Le strippeur peut maintenant être retiré.

Assemblage

Avant de rassembler, vérifier chaque pièce pour dommages, corrosion ou usure excessive. Remplacer les pièces, au besoin. Rassembler le palan dans l'ordre inverse des étapes de désassemblage ci-haut. Une fois assemblée, la chaîne peut être installée et, avant d'utiliser l'appareil, vous devez vous assurer qu'elle fonctionne bien.

Rangement du palan

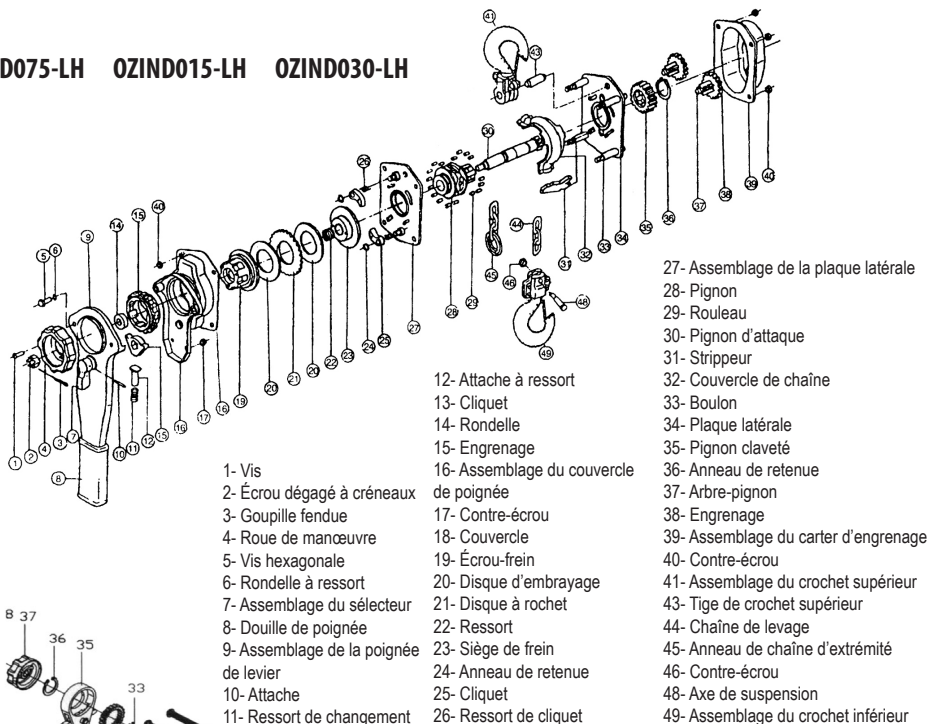
Ranger le palan dans un endroit propre et sec.
Garder le palan bien lubrifié pendant qu'il est rangé.
Si le palan ne fonctionne pas bien, l'indiquer clairement avant de le ranger.

Utilisation du palan à l'extérieur

Ranger le palan à l'intérieur quand vous ne l'utilisez pas.
Inspecter le palan fréquemment pour corrosion due aux facteurs environnementaux.

Liste des pièces

OZIND075-LH OZIND015-LH OZIND030-LH



- 1- Vis
- 2- Écrou dégagé à créneaux
- 3- Goupille fendue
- 4- Roue de manœuvre
- 5- Vis hexagonale
- 6- Rondelle à ressort
- 7- Assemblage du sélecteur
- 8- Douille de poignée
- 9- Assemblage de la poignée de levier
- 10- Attache
- 11- Ressort de changement
- 12- Attache à ressort
- 13- Cliquet
- 14- Rondelle
- 15- Engrenage
- 16- Assemblage du couvercle de poignée
- 17- Contre-écrou
- 18- Couvercle
- 19- Écrou-frein
- 20- Disque d'embrayage
- 21- Disque à rochet
- 22- Ressort
- 23- Siège de frein
- 24- Anneau de retenue
- 25- Cliquet
- 26- Ressort de cliquet

- 27- Assemblage de la plaque latérale
- 28- Pignon
- 29- Rouleau
- 30- Pignon d'attaque
- 31- Strippeur
- 32- Couvercle de chaîne
- 33- Boulon
- 34- Plaque latérale
- 35- Pignon claveté
- 36- Anneau de retenue
- 37- Arbre-pignon
- 38- Engrenage
- 39- Assemblage du carter d'engrenage
- 40- Contre-écrou
- 41- Assemblage du crochet supérieur
- 43- Tige de crochet supérieur
- 44- Chaîne de levage
- 45- Anneau de chaîne d'extrémité
- 46- Contre-écrou
- 48- Axe de suspension
- 49- Assemblage du crochet inférieur

OZIND025-LH

- 1- Assemblage du crochet supérieur (dont n° 2)
- 2- Trousse de linguet de sécurité
- 3- Tige de crochet supérieur
- 4- Assemblage du crochet inférieur (dont n° 2)
- 5- Fiche et contre-écrou
- 7- Carter d'engrenage
- 8- Plaque renforcée
- 9- Engrenage de levage
- 10- Pignon d'attaque
- 11- Plaque côté droit
- 12- Strippeur de chaîne
- 13- Boulon d'ancrage traversant
- 14- Attache
- 15- Assemblage de la poulie de levage
- 16- Engrenage de levage
- 17- Poulie de levage
- 18- Guide-chaîne
- 19- Assemblage de la plaque côté gauche
- 20- Ressort de cliquet
- 21- Cliquet
- 22- Anneau de retenue pour cliquet
- 23- Siège de frein
- 24- Disque à rochet
- 25- Disque d'embrayage
- 26- Ressort
- 27- Plaque de frein
- 28- Palier
- 29- Bouton d'arrêt
- 30- Couvercle de frein
- 31- Vis à pans creux et rondelle à ressort
- 33- Anneau de retenue pour siège de frein
- 34- Engrenage de changement
- 35- Assemblage de la poignée de levier
 - Poignée de levier
 - Levier de sélecteur
 - Cliquet de changement
 - Anneau de retenue pour changement
 - Rouleau de cliquet
 - Ressort de changement

- 36- Anneau de retenue
- 37- Roue de manœuvre
- 38- Anneau de retenue pour roue de manœuvre
- 40- Douille de poignée
- 41- Boulon et écrou
- 48- Chaîne de levage
- 49- Anneau d'extrémité

ES

MANUAL DEL OPERADOR



POLIPASTO DE PALANCA DE 0.25 HASTA 3 TONELADAS

**Estos polipastos de
palanca cumplen o
superan los siguientes
estándares:**

**CE
ASME B30.21**



P.O. Box 845, Winona, MN 55987
Teléfono (800) 749-1064
(507) 474-6250

Apoyo técnico (507) 457-3346
Fax (507) 452-5217

sales@ozliftingproducts.com
www.ozliftingproducts.com



Tabla de contenido

Pág. 2	Características y beneficios del producto
Pág. 3	Garantía / Política de garantía
Pág. 4	Información importante y precauciones
Pág. 5	Advertencias
Pág. 6	Información técnica
Pág. 7	Preinstalación
Pág. 8	Operación
Pág. 9	Inspección
Pág. 10	Inspección
Pág. 11	Inspección
Pág. 12	Inspección
Pág. 13	Inspección
Pág. 14	Mantenimiento
Pág. 15	Lista de piezas

Características y beneficios del producto

- **Construcción en acero**
- **Cadena de carga de aleación G80**
- **Tren de engranajes completamente cerrado**
- **Freno automático protegido contra la intemperie**
- **Protección de pintura con recubrimiento en polvo.**
- **Certificado de prueba incluido**
- **Cada unidad probada al 125% de la capacidad nominal**

GARANTÍA DE UN AÑO

OZ Lifting Products LLC® garantiza que este producto estará libre de defectos en materiales y mano de obra durante un año a partir de la fecha de envío.

Esta garantía no se aplica a productos que muestran signos de mal uso, sobrecarga, alteración, mantenimiento incorrecto o negligencia. El desgaste normal de las piezas móviles está excluido de la garantía. Las partes móviles se definen como discos de freno, cable metálico y otros componentes de desgaste sujetos a condiciones de uso. Esta garantía no cubre ningún costo relacionado con la eliminación de este producto, el tiempo perdido o cualquier otro daño / costo incidental o consecuente que resulte de los defectos reclamados.

Si este producto falla durante el primer año de funcionamiento debido a materiales o mano de obra defectuosos, será reparado o reemplazado a discreción de OZ Lifting Products LLC®. Cualquier producto sujeto a un reclamo de garantía debe devolverse, prepago, a un distribuidor autorizado de OZ Lifting Products LLC® junto con el comprobante de compra. Tras la reparación, el producto será devuelto al cliente de forma gratuita. Si no se encuentra ningún defecto, el cliente será responsable de los costos de envío de devolución. La garantía del producto será efectiva por el resto del período de garantía original (un año a partir de la fecha de envío).

OZ Lifting Products LLC® no se hace responsable de lo siguiente que surja del uso de este producto: lesiones a personas o bienes, muerte, daños incidentales, consecuentes o contingentes, ya sean negligentes o deliberados. Es responsabilidad exclusiva del propietario instalar y operar el producto de manera adecuada y segura.

Esta es la única garantía escrita de OZ Lifting Products LLC®. Esta garantía reemplaza a todas las demás garantías implícitas por ley, como la comerciabilidad y la aptitud. La venta de productos de OZ Lifting Products LLC® bajo cualquier otra garantía, expresa o implícita, no está autorizada.

NOTA: OZ Lifting Products LLC® tiene el derecho de alterar el diseño o suspender la producción de cualquier producto sin previo aviso.

Para obtener más información, póngase en contacto:



P.O. Box 845, Winona, MN 55987
Teléfono (800) 749-1064
(507) 474-6250
Apoyo técnico (507) 457-3346
Fax (507) 452-5217
sales@ozliftingproducts.com
www.ozliftingproducts.com

Información Importante y Precauciones

Este manual contiene instrucciones generales que tratan sobre la instalación, operación y mantenimiento normales de los productos descritos aquí.

Este producto no debe ser instalado, operado o mantenido por ninguna persona que no haya leído todo el contenido de estas instrucciones. No leer y cumplir con estas instrucciones, advertencias o limitaciones señaladas puede provocar lesiones corporales, la muerte o daños a la propiedad. Póngase en contacto con el distribuidor para obtener más explicaciones si la información no se comprende completamente.

Es responsabilidad del propietario / usuario instalar, probar, mantener y operar estos productos de acuerdo con las regulaciones de OSHA, otras regulaciones federales, estatales y locales, y las normas ASME que incluyen:

- ASME B30.21- Polipastos de palanca operados manualmente
- Otras normas aplicables dentro de ASME B30

Only trained and qualified personnel shall operate and maintain this equipment.

Mantener registros

Programa y mantenga registros de inspección y mantenimiento regulares del producto de conformidad con las normas ASME.

Registre el número de serie de sus polipastos en la portada de este manual para permitir una referencia más fácil.

Precauciones

No use los productos OZ Lifting junto con otro equipo a menos que el diseñador, fabricante, instalador o usuario del sistema haya implementado los dispositivos de seguridad necesarios.

Las modificaciones para actualizar, volver a clasificar o alterar estos productos solo deben ser autorizadas por el fabricante original.

Los polipastos deben usarse para levantar cargas solo dentro de sus capacidades de carga.

Estos polipastos de palanca cumplen o superan los siguientes estándares:

CE
ASME B30.21



Advertencias

No leer y cumplir con las siguientes advertencias puede provocar una situación peligrosa que podría provocar la muerte, lesiones graves o daños a la propiedad.

No opere el polipasto con otra cosa que no sea poder manual.

No use el polipasto de palanca con extensión en el mango de la palanca.

No opere si falta el pestillo del gancho o si no funciona correctamente.

No levante más de la carga nominal.

No opere el producto cuando tenga restricciones para formar una línea recta con la dirección de carga.

No opere con cadenas retorcidas o dañadas.

No opere si la cadena no está asentada en las poleas o ruedas dentadas.

No envuelva la cadena alrededor de la carga o use la cadena como cabestrillo.

No opere hasta que la cadena de carga esté asentada correctamente en la polea de carga.

No opere a menos que la carga se aplique correctamente a la montadura o al gancho.

No opere si la carga se aplica a la punta del gancho o si el gancho está volcado.

No levantar personas.

No levante cargas sobre las personas.

No opere más allá de los límites de recorrido de la cadena de carga.

No opere halando lateralmente la carga al polipasto.

No opere un producto dañado o que funcione mal.

No quite, desfigure ni oculte las etiquetas de advertencia.

No deje una carga suspendida desatendida, a menos que se tomen precauciones específicas.

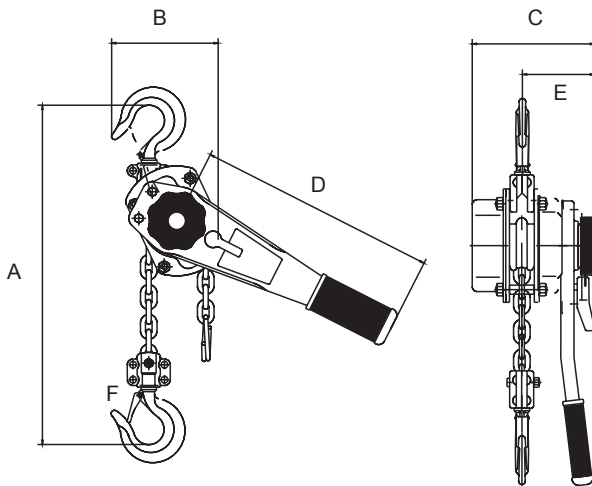
No alargue la cadena ni repare la cadena de carga dañada mediante soldadura.

No utilice la cadena como tierra de soldadura



Información Técnica

(0.25, 0.75, 1.5, y 3 toneladas)



Especificación

Modelo	OZIND025-LH	OZIND075-LH	OZIND150-LH	OZIND300-LH	
Carga de trabajo segura	0.25 ton	0.75 ton	1.5 ton	3 ton	
Esfuerzo para levantar S.W.L	44 lbs	40 lbs	66 lbs	88 lbs	
Caídas de cadena	1	1	1	1	
Diámetro de la cadena de carga	4x12 mm	6x18 mm	8x24 mm	10x30 mm	
Dimensiones	A	9.45 in	13.38 in	16.14 in	20.07 in
	B	3.62 in	5.31 in	5.91 in	8.27 in
	C	3.86 in	6.02 in	6.89 in	7.83 in
	D	6.3 in	12.2 in	16.34 in	16.34 in
	E	2.36 in	3.62 in	3.98 in	4.45 in
Apertura de los ganchos	F	0.83 in	1.1 in	1.26 in	1.5 in
Peso Neto	3.8 lbs	11.8 lbs	20 lbs	35.6 lbs	
Embalaje (in.)	26x11.6x11	38x13.5x17.5	51x15x21.5	53.5x17x23	

* Ofrecemos longitud de cadena personalizada

Preinstalación

Chequear por daños ocurridos durante el envío. NO instalar o usar un producto dañado. Chequear y verificar que cualquier estructura u otro equipo que vaya a soportar el producto, tenga marcada una capacidad de carga que sea igual a, o mayor que, la capacidad de carga marcada en el producto que va a ser usado.

Antes de la operación inicial:

1. Lea y cumpla con todas las instrucciones y advertencias suministradas o adjuntas al producto.
2. Chequee el lubricante.
3. Chequee el funcionamiento del freno.
4. Donde sea aplicable, chequear que la cadena esté apropiadamente colocada las poleas, y que la cadena no esté torcida, doblada o dañada.
5. Corrija todas las irregularidades de la cadena antes de usar.
6. Asegúrese de que todas las estructuras de soporte sean suficientemente fuerte para soportar el polipasto y la carga.
7. Asegúrese de que el polipasto esté instalado correctamente en un punto fijo.
8. Verifique que todos los pernos, tuercas y pasadores estén firmemente en su lugar.

Antes de cada turno, cuando corresponda:

1. Inspeccione ganchos por muescas, escoplos, grietas, y señales de separación o torcimiento.
2. Inspeccione el pestillo del gancho para verificar que funcione correctamente.
3. Chequee la cadena por dobladuras o torceduras.
4. Verifique el funcionamiento del freno.
5. Reemplace la etiqueta de advertencia si falta o es ilegible.

Antes de operar:

1. Asegúrese de que todo el personal esté despejado del lugar donde la carga se va a levantar y mover.
2. Asegúrese que la carga pueda pasar por los pilares de almacenamientos, maquinaria, u otras obstrucciones, cuando se esté izando y desplazando la carga.
3. Asegúrese de que el área de operación del polipasto permita suficiente espacio para la operación de la palanca, una zona despejada para que el operador y el resto del personal puedan pararse, y permita que el marco gire libremente sobre el gancho superior.

Operación

Advertencias y precauciones

Los operadores del polipasto deben leer y comprender completamente este manual y todas las advertencias en el polipasto antes de comenzar la operación del polipasto. Si este manual no se lee y se sigue por completo, pueden producirse lesiones.

Requisitos del operador:

1. Lea y comprenda completamente este manual antes de la operación de elevación.
2. Debe estar capacitado en el funcionamiento adecuado del polipasto y en el manejo de posibles fallas de funcionamiento.
3. No debe operar el polipasto bajo la influencia del alcohol, medicamentos o drogas. No debe operar el polipasto mientras está cansado o distraído.
4. No debe operar el polipasto si tienen antecedentes de convulsiones u otros problemas médicos que puedan interferir con el funcionamiento del polipasto.
5. Debe tener una coordinación y visión adecuadas.

Antes de la operación, asegúrese de que:

1. El polipasto está limpio y correctamente lubricado.
2. El polipasto funciona correctamente y los registros de mantenimiento están actualizados.
3. El freno funciona correctamente.
4. El área de operación está libre de materiales inflamables.

Durante la operación:

1. Mantenga una base segura para evitar resbalones y lesiones durante el funcionamiento.
2. Confirme que el polipasto esté conectado de forma segura a un soporte antes de la operación.
3. Verifique que los pestillos del gancho no soporten nada de la carga.
4. No sostenga la cadena durante el funcionamiento del polipasto.
5. Lentamente levante la carga, verificando que esté bien soportada y equilibrada antes de continuar.

Operación del polipasto de palanca manual

Operación de cadena libre: permite que el gancho descargado se mueva manualmente a la posición deseada para sujetar la carga.

1. Coloque el selector en la posición neutral.
2. Tire de la cadena de carga a la posición deseada para sujetar la carga.
3. Para desactivar la operación de la cadena libre, mueva la palanca direccional a la posición (arriba) o (abajo).
4. Tire de la unidad en ambas direcciones para asegurarse de que está fuera del modo de cadena libre.

Adjuntando la Carga

1. Si no hay dobladuras o torceduras en la cadena, continúe para conectar el gancho inferior a la carga.
2. No use la cadena para envolver la carga.
3. La carga debe asentarse en la parte interior del gancho y no debe apoyarse contra la punta o pestillo del gancho.
4. El pestillo del gancho debe estar bien cerrado contra la punta del gancho.
5. Asegúrese de que los ganchos superior e inferior formen una línea recta y que el marco pueda girar.

PRECARGA

OZIND025 = 44 lbs.

OZIND075 = 77 lbs.

OZIND150 = 84 lbs.

OZIND300 = 110 lbs.

Levantando la carga

1. Coloque el selector en la posición de carga (arriba).
2. En esta posición, el freno se activa cuando la palanca se detiene para soportar la carga.
3. Accione manualmente la palanca en una rotación en el sentido de las agujas del reloj para levantar la carga.
4. Comience lentamente para verificar que la carga esté asentada correctamente y que el polipasto funcione correctamente.

Bajando la carga

1. Coloque el selector en la posición de descarga (abajo).
2. En esta posición, el freno se activa cuando la palanca se detiene para soportar la carga.
3. Accione manualmente la palanca en una rotación en el sentido de las agujas del reloj para bajar la carga.

Inspección

Para mantener la operación de calidad del producto, cada operador debe establecer un programa de inspección regular. Todas las inspecciones deben informarse y mantenerse en un registro de registro fechado. Estos registros deben estar disponibles para todo el personal involucrado con el producto, y deben estar disponibles para OZ Lifting Products cuando se trate de un problema de garantía.

Definiciones

Las siguientes definiciones son de ANSI / ASME B30.21 y se utilizarán en el procedimiento de inspección que sigue.

Persona designada: una persona que es seleccionada o asignada como competente para realizar las tareas específicas a las que está asignada.

Persona calificada: una persona que al poseer un título o certificado reconocido de prestigio profesional, o mediante un amplio conocimiento, capacitación y experiencia, ha demostrado con éxito que puede resolver problemas relacionados con el tema y el trabajo.

Servicio normal: servicio que implica la operación con cargas distribuidas aleatoriamente dentro del límite de carga nominal, o cargas uniformes inferiores al 65% de la carga nominal durante no más del 15% del tiempo.

Servicio pesado: servicio que implica la operación dentro del límite de carga nominal y excede el servicio normal.

Servicio severo: servicio que implica un servicio normal o pesado con condiciones de funcionamiento anormales.

Clasificaciones de inspección

La inspección inicial debe realizarse en todos los productos nuevos, modificados y reparados de acuerdo con la Tabla 1. Posteriormente, los elementos a inspeccionar se indican en la Tabla 1 con F (Frecuente) o P (Periódica). Para los polipastos expuestos a condiciones ambientales más severas, las inspecciones deberían ser más frecuentes.

Inspecciones frecuentes:

Una persona designada realiza inspecciones frecuentes, que son inspecciones más específicas, mediante exámenes visuales de las condiciones internas y externas. Estas inspecciones se realizan en el siguiente horario:

Servicio normal: inspecciones mensuales

Servicio pesado: inspecciones semanales a mensuales

Servicio severo: diariamente o antes de cada uso para inspecciones semanales

Inspecciones periódicas:

Una persona designada realiza inspecciones periódicas, que son inspecciones más detalladas, mediante exámenes visuales de las condiciones internas y externas. Estas inspecciones se realizan en el siguiente horario:

Servicio normal: Inspección anual

Servicio pesado: Inspecciones semestrales

Servicio severo: Inspecciones trimestrales

TABLE 1 - INSPECTION CHART

In chart, **F** indicates Frequent Inspection, **P** indicates Periodic Inspection

LOCATION		COMPROBAR	F	P
Mecanismo de frenado		Deslizándose bajo carga	•	
		Difícil de liberar	•	
Piezas de freno:	Discos de freno	Acristalamiento		•
		Contaminación por aceite		•
	Trinquete	Deterioro excesivo		•
	Resorte	Corrosión: estiramiento		•
Gancho		Daño químico	•	
		Operación	•	
		Deformación	•	
		Grietas (colorante penetrante, partículas magnéticas u otro método de detección adecuada)		•
Partes de retención de gancho No apretados o seguros (Pasadores, pernos, tuercas)		No apretado/seguro o dañado		•
Pestillo del gancho		Dañado; no cierra	•	
Partes de suspensión (poleas, ruedas manuales, accesorios de cadena, pernos o pasadores de suspensión)		Deterioro excesivo		•
		Quebradura	•	•
Engranajes		Distorsión		•
		Dientes rotos o desgastados		•
		Quebraduras		•
		Lubricación inadecuada		•
Bloque de carga: cubierta de suspensión		Distorsión	•	•
		Quebradura	•	•
Trole: estructura de soporte		Posible incapacidad para continuar soportando cargas o dañado		•
Pernos, tuercas, remaches		No apretado o seguro		•
Etiquetas de advertencia		Eliminado o ilegible	•	
Operación adecuada		Sonidos inusuales	•	

IMPORTANTE

Cualquier deficiencia encontrada en este cuadro de inspección debe corregirse antes de que el polipasto vuelva a ponerse en servicio.

Nota: Después del desarme del polipasto durante la inspección, ANSI / ASME B30.21 requiere una prueba de carga que debe realizarse antes de que el producto vuelva a funcionar.

Inspección del Gancho

Advertencias:

El polipasto OZ con protección de sobrecarga cuando se usa de acuerdo con procedimientos de operación seguros debe reducir en gran medida la posibilidad de que se abra un gancho.

1. Cualquier gancho OZ que requiera reemplazo debido a curvas excesivas, giros o apertura indica abuso o sobrecarga del producto. Por lo tanto, otros componentes de soporte de carga del producto deben inspeccionarse para detectar posibles daños cuando se encuentran tales condiciones.
2. Nunca repare los ganchos mediante soldadura o remodelación. El calor aplicado al gancho alterará el tratamiento térmico original del material del gancho y reducirá la resistencia del gancho.
3. Nunca suelde palancas u otros accesorios al gancho.

Procedimiento de inspección del gancho

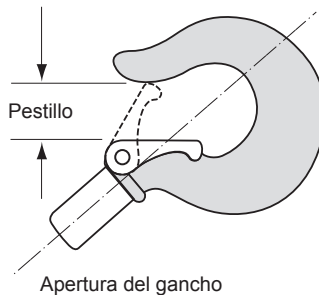
Cuando corresponda, inspeccione los ganchos y mida la abertura al menos una vez al mes. Entre las inspecciones regulares, se deben realizar inspecciones diarias de los ganchos. Verifique lo siguiente:

- Deformación, distorsión, torsión, daño
- Pestillos de gancho faltantes, doblados o dañados
- Daño químico, deformación o grietas
- Un giro mayor de 10 grados desde el plano del gancho sin doblar
- Apertura excesiva o desgaste

Pestillo del gancho

La inspección del pestillo del gancho debe incluir lo siguiente:

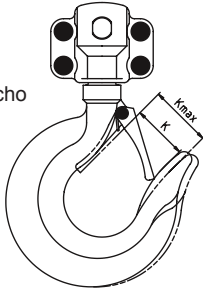
Vuelva a colocar los ganchos que se abren hasta que el pestillo no se trabe en la punta.



El pestillo debe tener suficiente presión del resorte para mantenerlo apretado contra la punta del gancho y permitir que vuelva a la punta cuando se suelte.

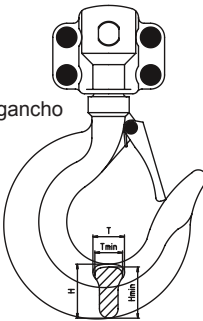
Use la siguiente tabla para determinar cuándo se debe reemplazar el gancho. El reemplazo del gancho es necesario si se encuentra alguno de los problemas de la página anterior o si se alcanzan las dimensiones máximas en los siguientes cuadros.

Apertura del gancho



Tamaño	Estándar K (mm)	Max K (mm)
0.25 ton	21 (.83")	23 (.91")
0.75 ton	26 (1.02")	28.5 (1.12")
1.5 ton	32.5 (1.27")	35.5 (1.39")
3 ton	37 (1.45")	40.5 (1.59")

Perfil inferior del gancho



Tamaño	Estándar H (mm)	Min H (mm)	Estándar T (mm)	Min T (mm)
.25 ton	16.1 (.63")	15.5 (.61")	11 (.43")	10.7 (.42")
.75 ton	21.5 (.84")	19.3 (.75")	13 (.51")	11.7 (.46)
1.5 ton	28.8 (1.13")	25.9 (1.01")	17 (.66")	15.3 (.60")
3 ton	42.9 (1.68")	39.5 (1.55")	25 (.98")	22.5 (.88")

Inspección de la cadena

Inspeccione la cadena antes de cada uso. Entre las inspecciones periódicas, verifique diariamente lo siguiente:

- Limpie la cadena antes de la inspección con un solvente no cáustico / no ácido
- La lubricación de la cadena puede ser necesaria si se traba o hace ruido
- La cadena se alimenta suavemente desde y hacia el polipasto y no emite ruidos al levantar una carga.
- Examine visualmente enlace por enlace en busca de muescas, hendiduras, salpicado de soldadura, corrosión, o enlaces distorsionados, preste especial atención a los puntos de contacto de la cadena, que pueden mostrar un desgaste excesivo.
- Pruebe el polipasto con carga y observe el funcionamiento de la cadena sobre las poleas de carga.



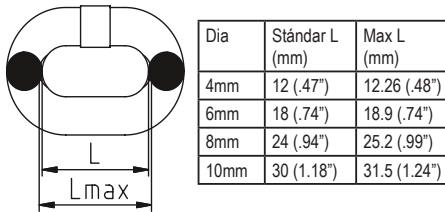
Advertencias de la cadena:

Precaución: Debe reconocerse que ciertos factores en el uso de la cadena y los accesorios pueden ser abusivos y disminuir la carga que la cadena o los accesorios pueden soportar. Algunos ejemplos son torsión de la cadena, desfiguración, deterioro por esfuerzo, uso, desgaste y corrosión, aplicación rápida de carga o sacudidas aplicando cargas excesivas y acción de corte de esquinas afiladas.

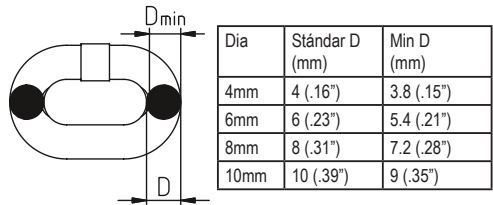
Debido al efecto de aplastamiento que los ganchos de sujeción tienen sobre la cadena, el factor de diseño de todos los ensamblajes debe reducirse en un 20% para las aplicaciones de ganchos de sujeción.

Use la siguiente tabla para determinar cuándo se debe reemplazar la cadena. El reemplazo de toda la cadena es necesario si se encuentra alguno de los problemas de la página anterior o si se alcanzan las dimensiones máximas en los cuadros siguientes.

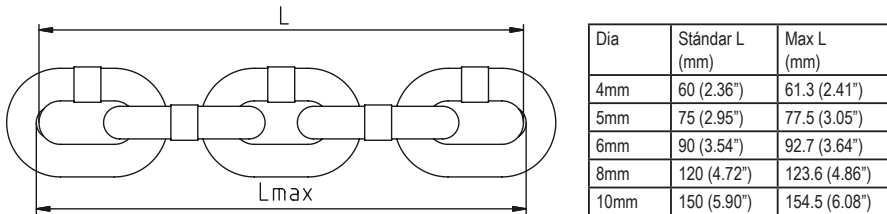
Cadena de carga - longitud de un enlace



Cadena de carga - Diámetro



Cadena de carga - longitud de cinco eslabones



Mantenimiento

Lubricación

La lubricación adecuada con aceite de máquina es necesaria para aumentar la vida útil de la cadena. La lubricación debe hacerse en función del uso y de forma regular. Puede ser necesario semanalmente para un uso intensivo o mensual si se usa con menos frecuencia.

- Limpie la cadena con una solución de limpieza libre de ácido para eliminar los desechos.
- Aplique aceite a la cadena enfocándose en las superficies de los cojinetes y las áreas de interconexión.
- No aplique aceite a las superficies de frenado.
- Los engranajes y ejes funcionan con rodamientos de rodillos y no requieren lubricación.

Desmontaje para reemplazar la polea de carga o el separador

1. Retire la cadena
2. Retire la tuerca de seguridad, el tornillo, la arandela de seguridad, el volante, el mango de la palanca, el conjunto de la cubierta de sobrecarga / freno, el agarre de la rosca, el disco de fricción, el disco de trinquete, el resorte y el conjunto del disco.
3. Desde el lado del engranaje, retire el conjunto de la caja del engranaje, el conjunto del engranaje del disco y el eje de transmisión. Luego, retire el anillo de retención, el engranaje acanalado y el conjunto de la placa lateral del engranaje. Deslice la polea de carga fuera de la placa lateral del engranaje. Ahora el separador también se puede quitar.

Montaje

Antes del reensamblaje, verifique cada parte por daños, corrosión o desgaste excesivo. Reemplace las piezas según sea necesario. Vuelva a armar el polipasto en orden inverso a los pasos de desmontaje enumerados anteriormente. Una vez ensamblada, la cadena se puede instalar y antes de usarla, se debe probar la unidad para que funcione correctamente.

Almacenamiento de polipastos

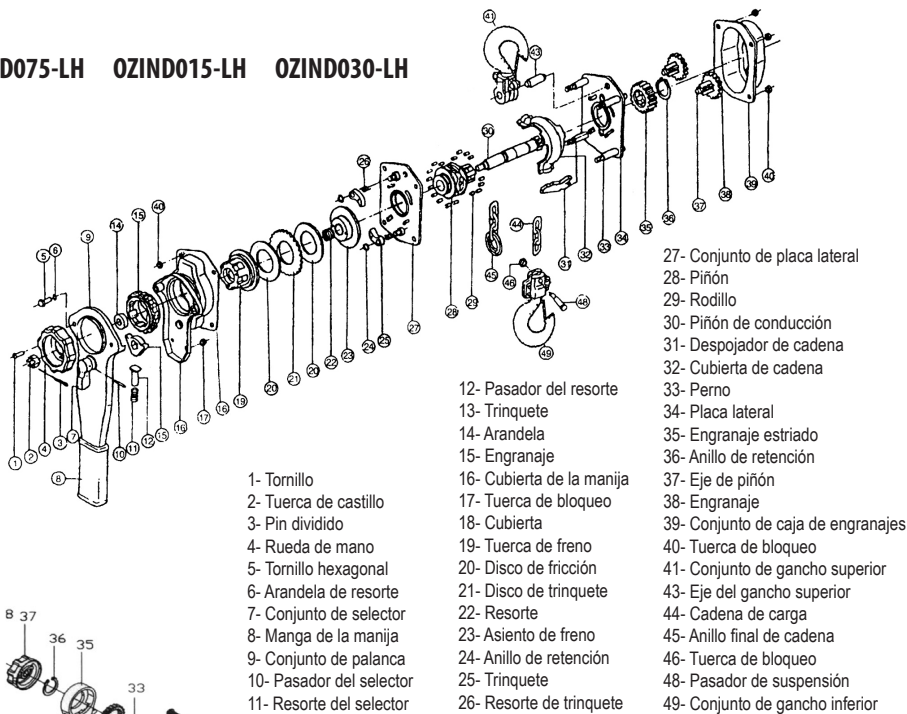
Almacene el polipasto en un área limpia y seca.
Mantenga la lubricación adecuada del polipasto mientras se almacena.
Si el polipasto no funciona correctamente, márkelo claramente antes de guardarlo.

Uso de polipastos al aire libre

Almacene el polipasto en el interior cuando no esté en uso.
Inspeccione con frecuencia el polipasto en busca de signos de corrosión debido a factores ambientales.

Piezas de repuesto

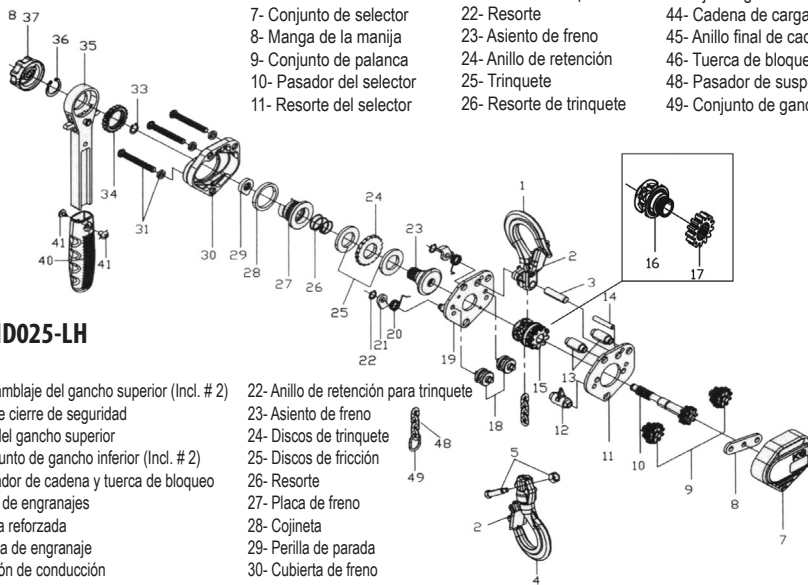
0ZIND075-LH 0ZIND015-LH 0ZIND030-LH



- 1- Tornillo
- 2- Tuerca de castillo
- 3- Pin dividido
- 4- Rueda de mano
- 5- Tornillo hexagonal
- 6- Arandela de resorte
- 7- Conjunto de selector
- 8- Manga de la manija
- 9- Conjunto de palanca
- 10- Pasador del selector
- 11- Resorte del selector

- 12- Pasador del resorte
- 13- Trinquete
- 14- Arandela
- 15- Engranaje
- 16- Cubierta de la manija
- 17- Tuerca de bloqueo
- 18- Cubierta
- 19- Tuerca de freno
- 20- Disco de fricción
- 21- Disco de trinquete
- 22- Resorte
- 23- Asiento de freno
- 24- Anillo de retención
- 25- Trinquete
- 26- Resorte de trinquete

- 27- Conjunto de placa lateral
- 28- Piñón
- 29- Rodillo
- 30- Piñón de conducción
- 31- Despojador de cadena
- 32- Cubierta de cadena
- 33- Perno
- 34- Placa lateral
- 35- Engranaje estriado
- 36- Anillo de retención
- 37- Eje de piñón
- 38- Engranaje
- 39- Conjunto de caja de engranajes
- 40- Tuerca de bloqueo
- 41- Conjunto de gancho superior
- 43- Eje del gancho superior
- 44- Cadena de carga
- 45- Anillo final de cadena
- 46- Tuerca de bloqueo
- 48- Pasador de suspensión
- 49- Conjunto de gancho inferior



0ZIND025-LH

- 1- Ensamblaje del gancho superior (Incl. # 2)
- 2- Kit de cierre de seguridad
- 3- Eje del gancho superior
- 4- Conjunto de gancho inferior (Incl. # 2)
- 5- Pasador de cadena y tuerca de bloqueo
- 7- Caja de engranajes
- 8- Placa reforzada
- 9- Carga de engranaje
- 10- Piñón de conducción
- 11- Placa lateral derecha
- 12- Despojador de cadena
- 13- Estancia-perno
- 14- Pasador
- 15- Conjunto de patea de carga
- 16- Engranaje de carga
- 17- Patea de carga
- 18- Guía de cadena
- 19- Conjunto de placa lateral izquierda
- 20- Resorte de trinquete
- 21- Trinquete
- 22- Anillo de retención para trinquete
- 23- Asiento de freno
- 24- Discos de trinquete
- 25- Discos de fricción
- 26- Resorte
- 27- Placa de freno
- 28- Cojineta
- 29- Perilla de parada
- 30- Cubierta de freno
- 31- Tornillo y arandela
- 33- Anillo de retención de freno
- 34- Engranaje de freno
- 35- Conjunto de manija de palanca
- Palanca
- Palanca de selección
- Trinquete de freno
- Anillo de freno
- Rodillo de trinquete
- Resorte del selector

- 36- Anillo de retención
- 37- Rueda de mano
- 38- Anillo de retención para volante
- 40- Manija
- 41- Perno y tuerca
- 48- Cadena de carga
- 49- Anillo final de cadena



P.O. Box 845, Winona, MN 55987
Phone (800) 749-1064
(507) 474-6250
Tech Support (507) 457-3346
Fax (507) 452-5217
sales@ozliftingproducts.com
www.ozliftingproducts.com