

HARRINGTON

A KITO GROUP COMPANY



Manual Hoist Products

Working Harder For You

In 1876, Edwin Harrington dramatically improved the self-sustaining hoist by introducing the worm-gear design. Since then, the company he founded has earned a proud reputation for product innovations and consistent quality that our customers count on to meet their diverse requirements.

Over the years we have developed and grown by recognizing the value of our customers and responding to your needs. The daily mission of our organization is to provide you, the customer, with the highest quality in our products, service and support.

In addition to our superior products and expanded facilities, we offer a Sales and Customer Service team that is dedicated to serving you, a well qualified Engineering Department to support your technical needs and a full support staff who all know the importance of working together to provide solutions for your material handling projects.

We are working harder to be the supplier-of-choice for all of your hoist and crane applications.

Table Of Contents

| | |
|--|----|
| LB Lever Hoist | 4 |
| CB Hand Chain Hoist | 7 |
| CF Hand Chain Hoist..... | 10 |
| Hoist and Trolley Combinations..... | 12 |
| NTH Low Headroom Trolley Hoist | 18 |
| SHB Ultra-Low Headroom Trolley Hoist | 20 |
| PT Push Trolley and GT Geared Trolley..... | 22 |
| LX Lever Puller..... | 24 |
| CX Mini Hand Chain Hoist | 26 |
| Trolley Hoist Suspenders | 28 |
| Product Options..... | 30 |
| Hoist Load Testers..... | 33 |
| Technical Information | 34 |
| Glossary | 37 |
| Complete Product Offering..... | 39 |

LB Lever Hoist

3/4, 1, 1 1/2, 2, 2 3/4, 3, 6, and 9 Ton Capacity

The LB Series of lever hoists offers a low headroom, compact design that is perfect for use in tight quarters. Regarded as the best lever hoist in the industry, our LB is recommended for use in heavy-duty construction work, mining, manufacturing, shipbuilding and day-to-day maintenance and repair.

Many Benefits from More Features:

- Rugged, all-steel construction that actually weighs less than comparable aluminum models.
- Get positive braking action with Weston-style load brake incorporating two moisture-resistant brake pads with four braking surfaces. Includes two brake pawls for additional reliability.
- Enjoy protection against dirt and moisture with a totally enclosed brake mechanism.
- Ensure long life with machined, heat-treated, split load double reduction gears.
- Operate in close quarters with short steel handle and 15-degree recovery strokes.
- Patented spring-loaded freewheel mechanism permits easy adjustment of the load chain and safeguards against accidental freewheeling under load.
- Equipped with standard rubber grip for non-slip operation.
- Powder-coated body is resistant to corrosion, chipping, fading and wear.

Options: (See page 31-32)

- Load limit warning handle
- Top hook extender
- Point load hook
- Slip clutch
- Inspection hook
- Bullard® and SmartLok™ hooks

Capabilities to Count On:

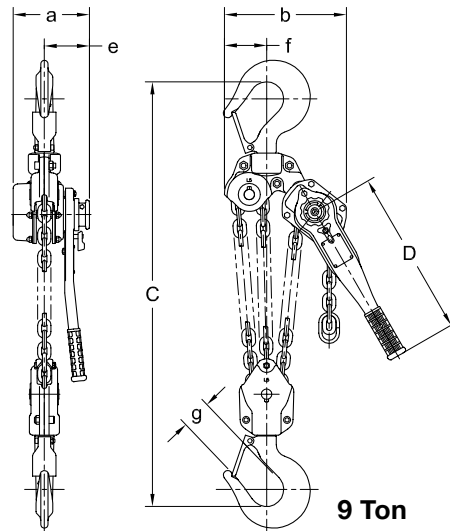
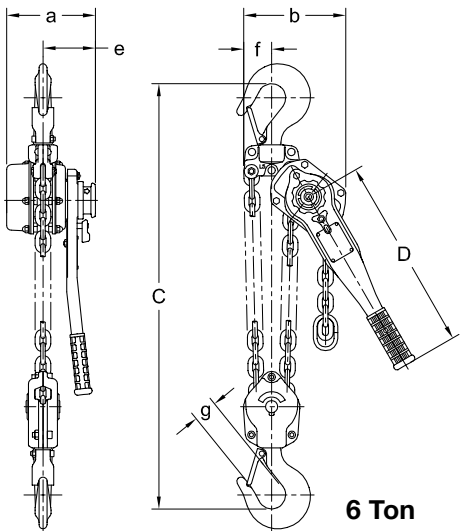
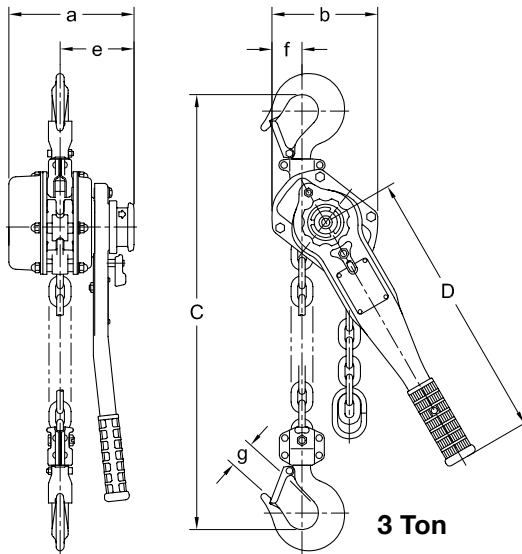
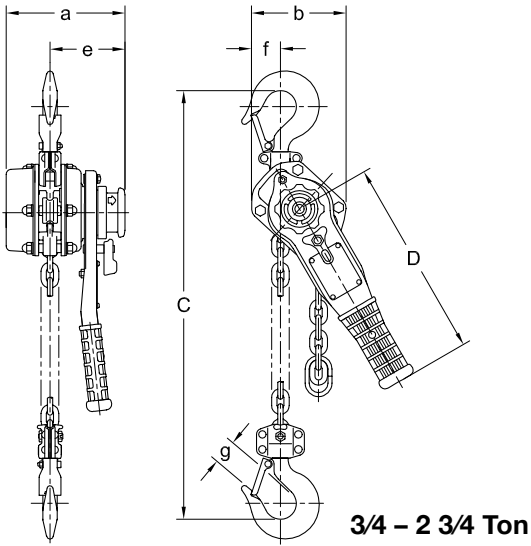
- 5-foot lift is standard, 10-, 15- and 20-foot lifts also stocked; nonstandard lifts available as well.
- Grade 100 heat-treated load chain is nickel-plated for corrosion resistance.
- Forged and heat-treated alloy steel hooks open slowly without fracturing under excessive loads. Top and bottom hooks rotate 360°.
- Test certificate verifies that every hoist has been factory load tested to 125% of rated capacity, in accordance with ASME B30.21 requirements.



LB LEVER HOIST — SPECIFICATIONS & DIMENSIONS

| Cap. (Tons) | Product Code | Headroom C (in) | Std. Lift (ft) | Pull to Lift Load* (lbs) | a (in) | b (in) | D* (in) | e (in) | f (in) | g (in) | Load Chain Diameter (mm) x Chain Fall Lines | Net Weight (lbs) | Shipping Weight Approx. (lbs) | Weight for Additional One Foot of Lift (lbs) |
|-------------|--------------|-----------------|----------------|--------------------------|--------|--------|-------------|----------|-------------|--------|---|------------------|-------------------------------|--|
| 3/4 | LB008 | 11.0 | 5 | 54 (36) | 5.7 | 4.7 | 9.6 (14.4) | 3.8 | 1.6 | 0.9 | 5.6 x 1 | 13 | 14 | 0.5 |
| 1 | LB010 | 11.8 | | 72 (46) | | | | | | 1.1 | | | | |
| 1 1/2 | LB015 | 13.2 | | 64 (45) | 6.3 | 5.0 | 10.4 (14.4) | 3.9 | 1.5 | 1.3 | 7.1 x 1 | 18 | 19 | |
| 2 | LB020 | 14.8 | | 59 (42) | 6.8 | 5.9 | | | | | 4.0 | 1.8 | 1.4 | |
| 2 3/4 | LB028 | | | 81 (57) | | | 6.3 | 10.0 x 1 | 33 | 35 | | | | |
| 3 | LB030 | 15.6 | | 69 | 7.5 | 8.5 | | | 16.3 (16.9) | 4.4 | 2.3 | 2.0 | 10.0 x 2 | |
| 6 | LB060 | 21.3 | | 72 | | | 12.0 | 4.1 | | | | | 2.9 | |
| 9 | LB090 | 26.8 | | 78 | | | | | | | | | | |

*Figures in parentheses are for hoists with the optional load limit warning handle.



LB Lever Hoist

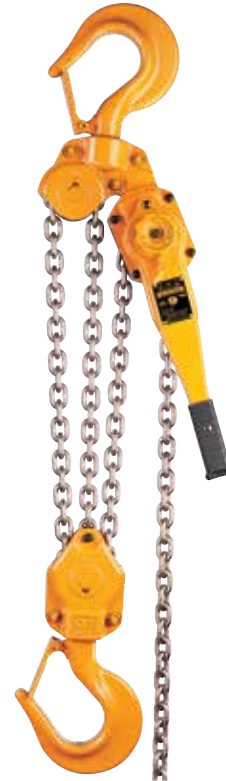
LB Designs and Capacity for Every Application



*Single chain
fall line
3/4-3 Ton*



*Double chain
fall line
6 Ton*



*Triple chain
fall line
9 Ton*

Industry's First 2 3/4 Ton Capacity Lever Hoist

Created for industrial applications where 3 Ton is too much and 2 Ton is not enough.



CB Hand Chain Hoist

1/2 Through 100 Ton Capacity

Harrington CB hand chain hoists combine a rugged exterior shell with machined interior components to handle your most demanding lifting operations. An efficient drive train minimizes manual effort, while double enclosed brake cover, standard slip clutch, and double pawl springs enhance performance and reliability.

Many Benefits from More Features:

- Experience exceptional durability thanks to all-steel construction featuring rugged gear case enclosure and handwheel cover.
- Enjoy increased lifting height thanks to low headroom.
- Compact design results in lightweight and easy portability.
- Minimize manual effort thanks to efficient drive train.
- Standard slip clutch device prevents the hoist from being used to lift damaging loads beyond rated capacity.
- Double pawl springs provide redundancy for reliable operation of brake mechanism.
- Get reliable braking with double enclosed brake cover that keeps out dust, rain, and dirt.
- Powder-coated body is resistant to corrosion, chipping, fading and wear.

Options: (See pages 30-32)

- Chain container
- Corrosion-resistant chain
- Inspection hook
- Bullard® and SmartLok™ hooks

Capabilities to Count On:

- 10- and 20-foot standard lifts, nonstandard lifts and hand chain drops are also available.
- Grade 100 heat-treated manganese alloy load chain resists abrasion and wear while minimizing chain weight.
- Forged and heat-treated alloy steel hooks are designed to open slowly, without fracturing under excessive loads.
- Test certificate verifies that every hoist has been factory load tested to 125% of rated capacity, in accordance with ASME B30.16 requirements.



CB Hand Chain Hoist

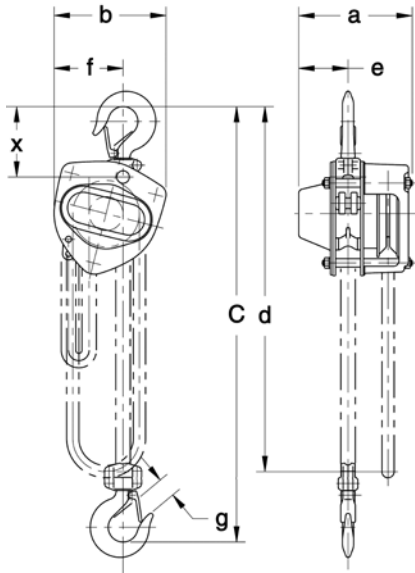
CB HAND CHAIN HOIST — SPECIFICATIONS

| Cap. (Tons) | Product Code | Headroom C (in) | Std. Lift (ft) | Pull to Lift Load (lbs) | Overhaul Ratio | Load Chain Dia. (mm) x Chain Fall Lines | Net Weight (lbs) | Shipping Weight Approx. (lbs) | Weight for Additional One Foot of Lift (lbs) |
|-------------|--------------|-----------------|----------------|-------------------------|----------------|---|------------------|-------------------------------|--|
| 1/2 | CB005 | 11.2 | 10 | 48 | 25 | 5.0 x 1 | 24 | 25 | 1.0 |
| 1 | CB010 | 11.6 | | 58 | 43 | 6.3 x 1 | 28 | 29 | 1.2 |
| 1 1/2 | CB015 | 13.8 | | 70 | 57 | 7.1 x 1 | 35 | 36 | 1.4 |
| 2 | CB020 | 14.8 | | 72 | 70 | 8.0 x 1 | 45 | 47 | 1.6 |
| 2 1/2 | CB025 | 16.5 | | 66 | 99 | 9.0 x 1 | 60 | 62 | 1.8 |
| 3 | CB030 | 20.1 | | 72 | 114 | 7.1 x 2 | 54 | 58 | 2.1 |
| 5 | CB050 | 23.6 | | 68 | 198 | 9.0 x 2 | 91 | 95 | 3.0 |
| 8 | CB080 | 30.3 | | 75 | 297 | 9.0 x 3 | 133 | 140 | 4.1 |
| 10 | CB100 | 29.9 | | 72 | 396 | 9.0 x 4 | 176 | 194 | 5.3 |
| 15 | CB150 | 40.2 | | 74 | 594 | 9.0 x 6 | 331 | 353 | 7.6 |
| 20 | CB200 | 46.5 | | 72 x 2 | 396 x 2 | 9.0 x 8 | 503 | 657 | 10.6 |
| 30 | CB300 | 51.2 | | 86 x 2 | 495 x 2 | 9.0 x 10 | 665 | 864 | 12.9 |
| 40 | CB400 | 58.3 | | | 693 x 2 | 9.0 x 14 | 1033 | 1364 | 17.6 |
| 50 | CB500 | 61.4 | | 98 x 2 | 792 x 2 | 9.0 x 16 | 1382 | 1713 | 19.9 |
| 80 | CB800 | 100.8 | | 86 x 4 | 693 x 4 | 9.0 x 28 | 3298 | - | 35.2 |
| 100 | CB1000 | 125.2 | | 98 x 4 | 792 x 4 | 9.0 x 32 | 6419 | | 39.9 |

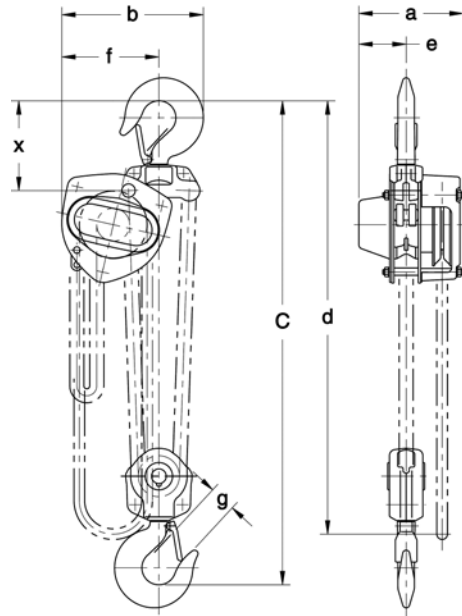
Please Note: Special lengths of load and hand chain available upon request.
Weights are approximate.

CB HAND CHAIN HOIST — DIMENSIONS

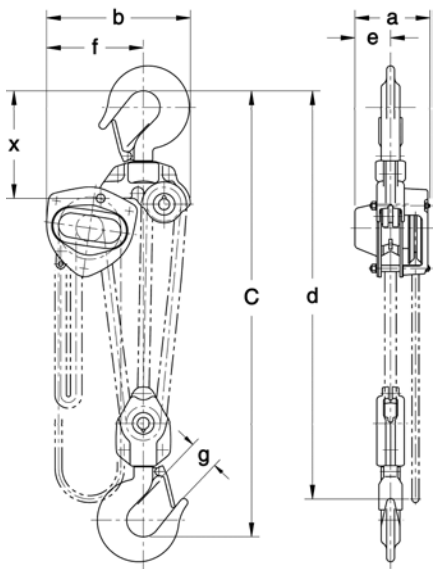
| Cap. (Tons) | Product Code | a (in) | b (in) | d (ft) | e (in) | f (in) | g (in) | x (in) |
|-------------|--------------|--------|--------|--------|--------|--------|--------|--------|
| 1/2 | CB005 | 6.2 | 6.3 | 10.0 | 2.7 | 3.9 | 1.1 | 3.5 |
| 1 | CB010 | 6.4 | | | 2.8 | | | 4.0 |
| 1 1/2 | CB015 | 6.7 | 7.2 | | 3.1 | 4.4 | 1.3 | 4.7 |
| 2 | CB020 | 7.2 | 8.0 | | 3.4 | 4.9 | 1.4 | 4.9 |
| 2 1/2 | CB025 | 7.6 | 9.2 | | 3.6 | 5.6 | 1.6 | 5.4 |
| 3 | CB030 | 6.7 | 9.3 | 10.3 | 3.1 | 6.4 | 1.7 | 5.8 |
| 5 | CB050 | 7.6 | 11.1 | 12.0 | 3.6 | 7.6 | 1.8 | 6.8 |
| 8 | CB080 | | 14.7 | 12.3 | | 10.0 | | 10.8 |
| 10 | CB100 | | 17.2 | 12.9 | 4.4 | 12.1 | 2.9 | 11.7 |
| 15 | CB150 | 10.6 | 19.4 | 13.9 | 4.7 | 13.3 | 3.1 | 12.6 |
| 20 | CB200 | 14.7 | 29.4 | 14.3 | 7.4 | 14.7 | 3.2 | 13.8 |
| 30 | CB300 | 15.9 | | 14.3 | 8.0 | | 4.1 | 15.7 |
| 40 | CB400 | 19.8 | 29.9 | 14.6 | 9.9 | 15.0 | 3.8 | 17.5 |
| 50 | CB500 | 21.4 | 31.3 | 14.6 | 10.7 | 15.7 | 4.0 | 18.4 |
| 80 | CB800 | 29.9 | 55.2 | 13.9 | 13.8 | 27.6 | 5.1 | - |
| 100 | CB1000 | 31.3 | 56.9 | 12.6 | 15.7 | 28.4 | 7.3 | |



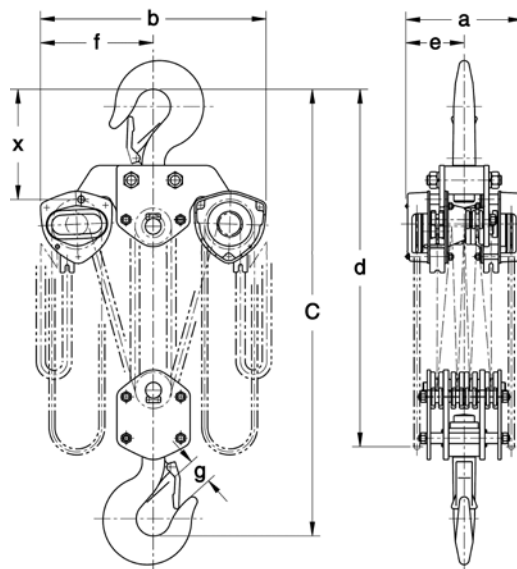
1/2 - 2 1/2 Ton



3 - 5 Ton



8 - 15 Ton



20 - 100 Ton

CF Hand Chain Hoist

1/2 Through 5 Ton Capacity

Harrington CF hand chain hoists give you a practical alternative thanks to an economical design using fewer parts for trouble-free service. Outstanding durability is due to a die-cast aluminum body and high-strength, heat-treated main pinion shaft and load gear. Pre-lubricated ball bearings, precision machined gears, and Weston-style load brake make lifting smooth and easy while allowing long service and low maintenance.

Many Benefits from More Features:

- Experience exceptional strength with a thick die-cast aluminum body.
- Handle tough demands with high-strength, heat-treated main pinion shaft and load gear.
- Get positive braking action with Weston-style load brake incorporating two moisture-resistant brake pads with four braking surfaces.
- Minimize manual effort thanks to smooth running, pre-lubricated ball bearings, and precision machined drive train components.
- Simplify maintenance with fewer parts and an easy-to-work-on design.

Capabilities to Count On:

- 10-foot lift is standard, 15- and 20-foot lifts are also stocked; nonstandard lifts and hand chain drops available as well.
- Grade 100 heat-treated manganese alloy load chain resists abrasion and wear while minimizing chain weight.
- Forged and heat-treated alloy steel hooks are designed to open slowly and not fracture under excessive loads.
- Test certificate verifies that every hoist has been factory load tested to 125% of rated capacity, in accordance with ASME B30.16 requirements.

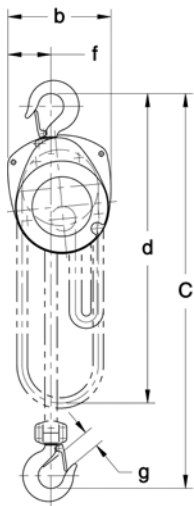
Options: (See Pages 30–32)

- Chain container
- Corrosion-resistant chain
- Inspection hook
- Bullard® and SmartLok™ hooks

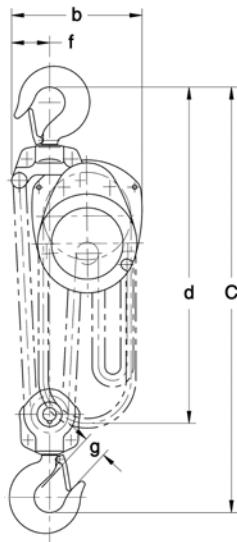
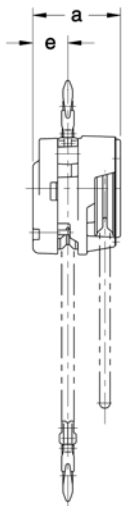


CF HAND CHAIN HOIST — DIMENSIONS

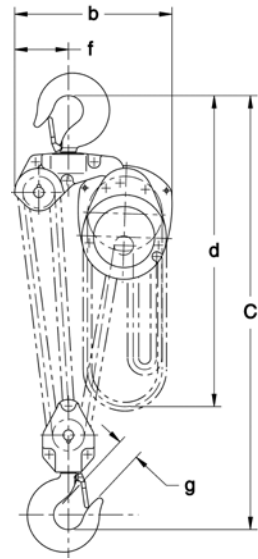
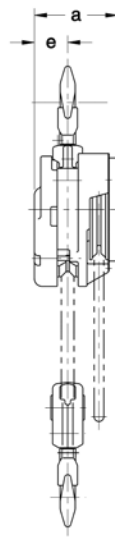
| Cap. (Tons) | Product Code | a (in) | b (in) | d (ft) | e (in) | f (in) | g (in) |
|-------------|--------------|--------|--------|--------|--------|--------|--------|
| 1/2 | CF005 | 5.4 | 5.9 | 10 | 2.0 | 2.4 | 1.1 |
| 1 | CF010 | 5.8 | 6.9 | | 2.3 | 2.9 | |
| 1 1/2 | CF015 | 6.0 | 8.0 | | 2.4 | 3.4 | 1.3 |
| 2 | CF020 | 5.8 | | | 2.3 | 2.3 | 1.4 |
| 3 | CF030 | 6.0 | 9.4 | | 2.4 | 2.7 | 1.7 |
| 5 | CF050 | | 13.5 | | | 4.5 | 1.8 |



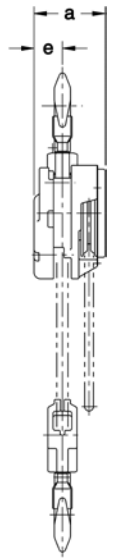
1/2 – 1 1/2 Ton



2 – 3 Ton



5 Ton



CF HAND CHAIN HOIST — SPECIFICATIONS

| Cap. (Tons) | Product Code | Headroom C (in) | Std. Lift (ft) | Pull to Lift Load (lbs) | Overhaul Ratio | Load Chain Diameter (mm) x Chain Fall Lines | Net Weight (lbs) | Shipping Weight Approx. (lbs) | Weight for Additional One Foot of Lift (lbs) |
|-------------|--------------|-----------------|----------------|-------------------------|----------------|---|------------------|-------------------------------|--|
| 1/2 | CF005 | 12.8 | 10 | 60 | 19 | 5.0 x 1 | 24 | 26 | 1.0 |
| 1 | CF010 | 14.6 | | 72 | 31 | 6.3 x 1 | 29 | 31 | 1.2 |
| 1 1/2 | CF015 | 17.3 | | 84 | 41 | 7.1 x 1 | 40 | 42 | 1.4 |
| 2 | CF020 | 20.1 | | 80 | 63 | 6.3 x 2 | 47 | 49 | 1.8 |
| 3 | CF030 | 23.2 | | 92 | 81 | 7.1 x 2 | 62 | 66 | 2.1 |
| 5 | CF050 | 24.4 | | | 134 | 7.1 x 3 | 82 | 86 | 2.9 |

Please Note: Special lengths of load and hand chain available upon request. Weights are approximate.

Hoist and Trolley Combinations

Push Trolley Capacities from 1/2 Through 10 Ton

Geared Trolley Capacities from 1/2 Through 100 Ton

CB and CF hand chain hoists can be suspended from either PT push trolleys or GT geared trolleys. These trolley/hoists combine the features, benefits, and capabilities of the individual trolley and hoist. Refer to the corresponding trolley and hoist sections for details. The standard suspension method for coupling the CF or CB to the PT push trolley or GT geared trolley is hook-to-lug. The CB can also be lug-mounted for capacities up through 5 Ton.



Lug Mount



Hook-to-lug Mount



Lug Mount

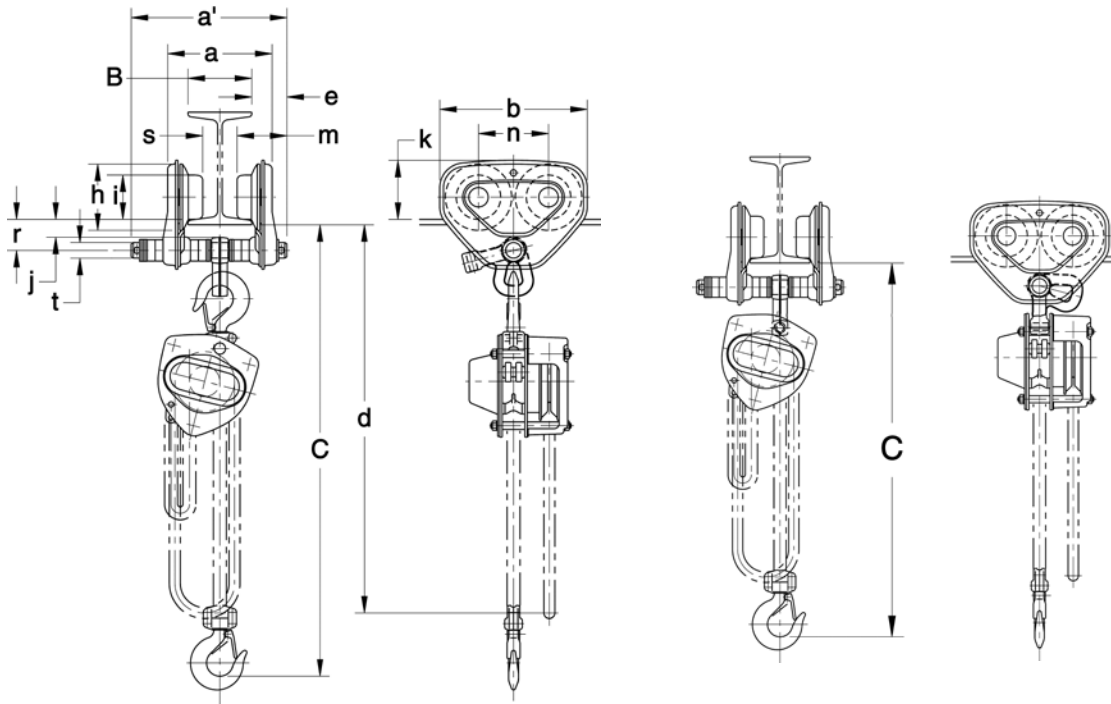


Hook-to-lug Mount

CB HAND CHAIN HOIST WITH PT PUSH TROLLEY — SPECIFICATIONS & DIMENSIONS

| Cap. (Tons) | Product Code | | Headroom C (in) | | Min. Radius for Curve (in) | Flange Width Adjustability B (in) | | a max (in) | a' (in) | b (in) | d (ft) | e (in) | h (in) | i (in) | j (in) | k (in) | m (in) | n (in) | r (in) | s (in) | t (in) | Net Wt. (lbs) | Ship. Wt. (lbs) | Wt. for Add'l One Ft. of Lift (lbs) |
|-------------|--------------|---------|-----------------|------|----------------------------|-----------------------------------|-------------------------------|------------|---------|--------|--------|--------|--------|--------|--------|--------|--------|--------|--------|--------|--------|---------------|-----------------|-------------------------------------|
| | | | Hook | Lug | | Std. | Option | | | | | | | | | | | | | | | | | |
| | Hoist | Trolley | Hook | Lug | | Std. | Option | | | | | | | | | | | | | | | | | |
| 1/2 | CB005 | PTF2005 | 14.5 | 11.6 | 13.8 | 2.28 to 4.00 | 4.01 to 8.00 or 8.01 to 12.00 | 6.8 | 8.0 | 7.2 | 8.0 | 1.8 | 3.2 | 2.36 | 0.8 | 3.0 | 2.7 | 3.3 | 1.5 | B-1.8 | 0.87 | 33 | 34 | 1.0 |
| 1 | CB010 | PTF2010 | 15.4 | 12.0 | 17.7 | 2.28 to 5.00 | 5.01 to 8.00 or 8.01 to 12.00 | 8.5 | 9.8 | 9.3 | | 2.2 | 4.2 | 2.80 | 1.1 | 3.7 | 3.1 | 4.4 | 2.0 | B-1.9 | 0.98 | 43 | 45 | 1.2 |
| 1 1/2 | CB015 | PTF2020 | 18.5 | 14.4 | 21.7 | 3.23 to 6.02 | 6.03 to 12.00 | 10.4 | 11.8 | 11.0 | 8.0 | 2.7 | 5.0 | 3.35 | 1.4 | 4.4 | 3.8 | 5.2 | 2.4 | B-2.3 | 1.26 | 64 | 66 | 1.4 |
| 2 | CB020 | | 19.4 | 15.0 | | | | | | | | | | | | | | | | | | 74 | 77 | 1.6 |
| 2 1/2 | CB025 | PTF2030 | 21.8 | 17.1 | 25.6 | 3.23 to 6.02 | 6.03 to 12.00 | 11.0 | 12.6 | 12.8 | 8.3 | 3.1 | 5.8 | 3.94 | 5.3 | 4.3 | 6.0 | 2.7 | B-2.3 | 1.42 | 106 | 110 | 1.8 | |
| 3 | CB030 | | 26.3 | 21.1 | | | | | | | | | | | | | | | | | 100 | 106 | 2.1 | |
| 5 | CB050 | PTF2050 | 26.9 | 27.2 | 78.7 | 4.92 to 7.02 | 7.03 to 12.00 | 10.7 | 11.7 | 13.7 | 10.0 | 2.1 | 5.7 | 4.65 | 5.7 | 3.6 | 7.0 | 4.6 | B-3.0 | 1.73 | 186 | 193 | 3.0 | |
| 8 | CB080 | PT080 | 34.5 | - | 118.1 | 5.50 to 8.66 | 8.67 to 12.00 | 14.4 | 17.6 | 19.4 | 10.6 | 4.1 | 7.3 | 6.10 | - | 6.7 | 5.9 | 7.7 | 6.0 | B-3.6 | 2.76 | 345 | 393 | 4.2 |
| 10 | CB100 | PT100 | 34.2 | - | | | | | | | 14.6 | | | | | | | | | | | 388 | 447 | 5.5 |

8-foot standard lift for 1/2-8 Ton models; 12-foot standard lift for 10 Ton.
 Please Note: Special lengths of load and hand chain available upon request.
 Weights are approximate.



CB with PT Hook-to-lug Mount

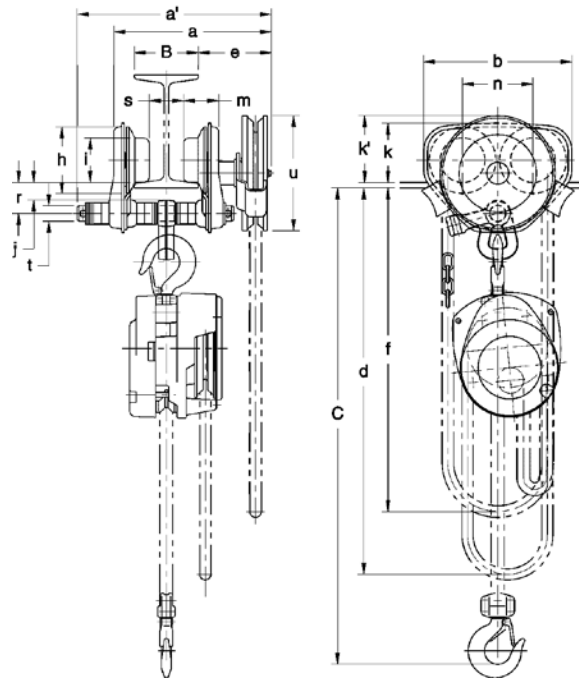
CB with PT Lug Mount

Hoist and Trolley Combinations

CF HAND CHAIN HOIST WITH GT GEARED TROLLEY — SPECIFICATIONS & DIMENSIONS

| Cap. (Tons) | Product Code | | Head room C (in) | Min. Radius for Curve (in) | Flange Width Adjustability B (in) | | a max (in) | a' (in) | b (in) | d (ft) | e (in) | f (ft) | h (in) | i (in) | j (in) | k (in) | k' (in) | m (in) | n (in) | r (in) | s (in) | t (in) | u (in) | Net Wt. (lbs) | Ship. Wt. (lbs) | Wt. for Add'l One Ft. of Lift (lbs) |
|-------------|--------------|---------|------------------|----------------------------|-----------------------------------|-------------------------------|------------|---------|--------|--------|--------|--------|--------|--------|--------|--------|---------|--------|--------|--------|--------|--------|--------|---------------|-----------------|-------------------------------------|
| | Hoist | Trolley | | | Std. | Option | | | | | | | | | | | | | | | | | | | | |
| 1/2 | CF005 | GTF2010 | 16.6 | 17.7 | 2.28 to 5.00 | 5.01 to 8.00 or 8.01 to 12.00 | 10.8 | 12.2 | 9.3 | | 4.6 | | 4.2 | 2.80 | 1.1 | 3.7 | 4.2 | 2.2 | 4.4 | 2.0 | B-1.9 | 0.98 | 7.2 | 47 | 51 | 1.6 |
| 1 | CF010 | | 18.3 | | | | | | | | | | | | | | | | | | | | | 51 | 56 | 1.8 |
| 1 1/2 | CF015 | GTF2020 | 22.0 | 21.7 | 3.23 to 6.02 | 6.03 to 12.00 | 13.7 | 15.2 | 11.0 | | 6.1 | 9.0 | 5.0 | 3.35 | 1.4 | 4.4 | 4.3 | 2.8 | 5.2 | 2.4 | B-2.3 | 1.26 | 7.2 | 75 | 82 | 2.0 |
| 2 | CF020 | | 24.8 | | | | | | | | | | | | | | | | | | | | | 84 | 89 | 2.4 |
| 3 | CF030 | GTF2030 | 29.5 | 25.6 | | | 14.1 | | 12.8 | 10.6 | 6.2 | | 5.8 | 3.94 | | 5.3 | 4.5 | 3.1 | 6.0 | 2.7 | B-2.5 | 1.42 | | 117 | 124 | 2.8 |
| 5 | CF050 | GTF2050 | 27.7 | 78.7 | 4.92 to 7.02 | 7.03 to 12.00 | 14.8 | 15.7 | 13.7 | 12.0 | 6.1 | 10.7 | 5.7 | 4.65 | — | 5.7 | 5.2 | 3.2 | 7.0 | 4.6 | B-3.0 | 1.73 | | 186 | 194 | 3.5 |

10-foot standard lift for all models.
Please Note: Special lengths of load and hand chain available upon request.
Weights are approximate.

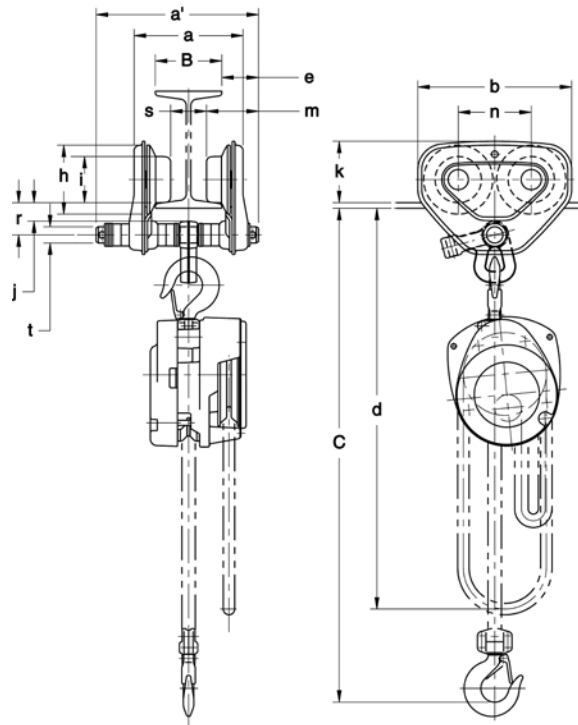


CF with GT

CF HAND CHAIN HOIST WITH PT PUSH TROLLEY — SPECIFICATIONS & DIMENSIONS

| Cap. (Tons) | Product Code | | Head room C (in) | Min. Radius for Curve (in) | Flange Width Adjustability B (in) | | a max (in) | a' (in) | b (in) | d (ft) | e (in) | h (in) | i (in) | j (in) | k (in) | m (in) | n (in) | r (in) | s (in) | t (in) | Net Wt. (lbs) | Ship. Wt. (lbs) | Wt. for Add'l One Ft. of Lift (lbs) |
|-------------|--------------|---------|------------------|----------------------------|-----------------------------------|-------------------------------|------------|---------|--------|--------|--------|--------|--------|--------|--------|--------|--------|--------|--------|--------|---------------|-----------------|-------------------------------------|
| | Hoist | Trolley | | | Std. | Option | | | | | | | | | | | | | | | | | |
| 1/2 | CF005 | PTF2005 | 16.1 | 13.8 | 2.28 to 4.00 | 4.01 to 8.00 or 8.01 to 12.00 | 6.8 | 8.0 | 7.2 | | 1.8 | 3.2 | 2.36 | 0.8 | 3.0 | 2.7 | 3.3 | 1.5 | B-1.8 | 0.87 | 31 | 36 | 1.0 |
| 1 | CF010 | PTF2010 | 18.3 | 17.7 | 2.28 to 5.00 | 5.01 to 8.00 or 8.01 to 12.00 | 8.5 | 9.8 | 9.3 | 10.3 | 2.2 | 4.2 | 2.80 | 1.1 | 3.7 | 3.1 | 4.4 | 2.0 | B-1.9 | 0.98 | 42 | 47 | 1.2 |
| 1 1/2 | CF015 | PTF2020 | 22.0 | 21.7 | 3.23 to 6.02 | 6.03 to 12.00 | 10.4 | 11.8 | 11.0 | 10.3 | 2.7 | 5.0 | 3.35 | 1.4 | 4.4 | 3.8 | 5.2 | 2.4 | B-2.3 | 1.26 | 67 | 71 | 1.4 |
| 2 | CF020 | | 24.8 | | | | | | | | | | | | | | | | | | 75 | 80 | 1.8 |
| 3 | CF030 | PTF2030 | 29.5 | 25.6 | | | 11.0 | 12.6 | 12.8 | 10.6 | 3.1 | 5.8 | 3.94 | | 5.3 | 4.3 | 6.0 | 2.7 | B-2.5 | 1.42 | 108 | 115 | 2.1 |
| 5 | CF050 | PTF2050 | 27.7 | 78.7 | 4.92 to 7.02 | 7.03 to 12.00 | 10.7 | 11.7 | 13.7 | 12.0 | 2.1 | 5.7 | 4.65 | — | 5.7 | 3.6 | 7.0 | 4.6 | B-3.0 | 1.73 | 177 | 186 | 2.9 |

10-foot standard lift for all models.
 Please Note: Special lengths of load and hand chain available upon request.
 Weights are approximate.



CF with PT

NTH Low Headroom Trolley Hoist 1, 2, 3, and 5 Ton Capacity

Harrington's NTH low headroom trolley hoist combines economical, trouble-free CF hoist performance with the space savings of an integral trolley. The NTH is ideal for applications requiring a low headroom hoist and trolley combination. Both push and geared trolley versions are available to best suit your application.

Many Benefits from More Features:

- Lift the load in tight quarters thanks to low headroom profile.
- Get the features, benefits, and capabilities of Harrington's CF hand chain hoist.
- Trolley moves smoothly on cast-iron flanged wheels equipped with sealed, lubed-for-life ball bearings.
- Easily adjust trolley to fit a wide variety of beam flange widths.

Capabilities to Count On:

- 10-foot lift is standard; nonstandard lifts and hand chain drops are also available.
- Trolley available in plain or geared models.
- Trolley wheels accommodate tapered or flat-flanged beams.
- Grade 100 heat-treated manganese alloy load chain resists abrasion and wear while minimizing chain weight.
- Forged and heat-treated alloy steel hooks are designed to open slowly and not fracture under excessive loads.
- Test certificate verifies that every hoist has been factory load tested to 125% of rated capacity, in accordance with ASME B30.16 requirements.

Options: (See pages 30–32)

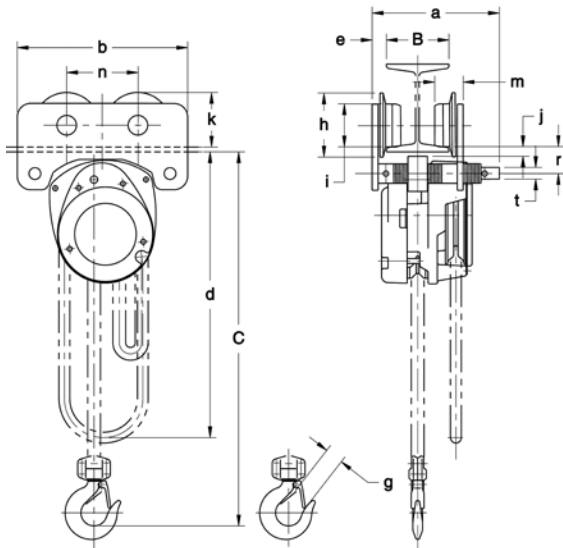
- Chain container
- Corrosion-resistant chain
- Inspection hook
- Bullard® and SmartLok™ hooks

Also available—patented track applications; consult factory for details.

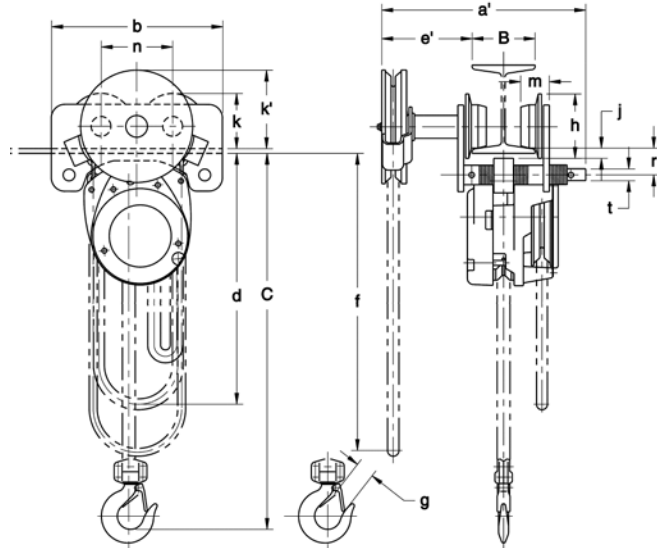


NTH LOW HEADROOM TROLLEY HOIST — DIMENSIONS

| Cap. (Tons) | a (in) | a' (in) | b (in) | d (ft) | e (in) | e' (in) | f (ft) | g (in) | h (in) | i (in) | j (in) | k (in) | k' (in) | m (in) | n (in) | r (in) | t (in) |
|-------------|--------|---------|--------|--------|--------|---------|--------|--------|--------|--------|--------|--------|---------|--------|--------|--------|--------|
| 1 | 8.1 | 12.9 | 10.9 | 10.0 | 1.0 | 5.9 | 10.4 | 1.1 | 4.2 | 2.80 | 0.8 | 3.5 | 4.4 | 1.9 | 4.6 | 1.9 | 0.75 |
| 2 | 9.3 | 14.0 | 13.8 | | 1.2 | 6.0 | | 1.4 | 5.0 | 3.35 | | 4.2 | 4.7 | 2.3 | 5.4 | 2.3 | 1.00 |
| 3 | 9.9 | 14.5 | 15.6 | | 1.3 | 5.9 | 10.8 | 1.7 | 5.8 | 3.94 | | 4.9 | 5.0 | 2.4 | 6.2 | 2.4 | 1.13 |
| 5 | 11.2 | 15.8 | 18.3 | 10.6 | 1.5 | 6.2 | 11.3 | 1.8 | 6.7 | 4.65 | 1.0 | 5.6 | 5.1 | 3.0 | 7.0 | 2.9 | 1.63 |



NTH (Push Trolley Model)



G-NTH (Geared Trolley Model)

NTH LOW HEADROOM TROLLEY HOIST — SPECIFICATIONS

| Cap. (Tons) | Product Code | | Head room C (in) | Std. Lift (ft) | Pull to Lift Load (lbs) | Overhaul Ratio | Min. Radius for Curve (in) | Flange Range B (in)* | Load Chain Dia. (mm) x Chain Fall Lines | Push | | | Geared | | |
|-------------|--------------|----------------|------------------|----------------|-------------------------|----------------|----------------------------|----------------------|---|------------------|-----------------------|--|------------------|-----------------------|--|
| | Push Trolley | Geared Trolley | | | | | | | | Net Weight (lbs) | Shipping Weight (lbs) | Weight for Additional One Foot of Lift (lbs) | Net Weight (lbs) | Shipping Weight (lbs) | Weight for Additional One Foot of Lift (lbs) |
| 1 | NTH010 | G-NTH010 | 12.5 | 10 | 79 | 31 | 39 | 2.32-5.16 | 6.3 x 1 | 62 | 65 | 1.2 | 73 | 78 | 1.8 |
| 2 | NTH020 | G-NTH020 | 16.5 | | 88 | 63 | 47 | 3.72-5.97 | 6.3 x 2 | 92 | 97 | 1.8 | 103 | 110 | 2.4 |
| 3 | NTH030 | G-NTH030 | 19.0 | | 101 | 81 | 59 | 3.62-6.26 | 7.1 x 2 | 125 | 133 | 2.1 | 136 | 177 | 2.8 |
| 5 | NTH050 | G-NTH050 | 20.3 | | 134 | 79 | 79 | 5.12-7.11 | 7.1 x 3 | 188 | 200 | 2.9 | 199 | 240 | 3.5 |

Please Note: Special lengths of load and hand chain available upon request.
 *Other beam widths available. Consult factory.
 Weights are approximate.

SHB Ultra-Low Headroom Trolley Hoist

Harrington's SHB ultra-low trolley hoist offers premium quality and durability in a low profile package. This industrial grade hand chain hoist and geared trolley configuration minimizes beam-to-hook distance making it ideal for applications where longer hook travel is required.

Many Benefits from More Features:

- Extremely low headroom for use where space is limited.
- Efficient hoist drive train minimizes effort required to operate.
- Trolley wheels fit on both tapered and flat flanged beams.
- Maintenance-free sealed trolley ball bearings are lubed-for-life and offer smooth movement with low friction and long life.

Capabilities to Count On:

- 20-foot lift is standard. Nonstandard lifts and hand chain drops are also available.
- All-steel construction for hoist durability.
- Reliable hoist braking with double enclosed brake cover that keeps out rain, dust and dirt.
- Grade 100 heat-treated manganese alloy load chain resists abrasion and wear.
- Cast trolley wheels and steel side plates for heavy-duty applications.

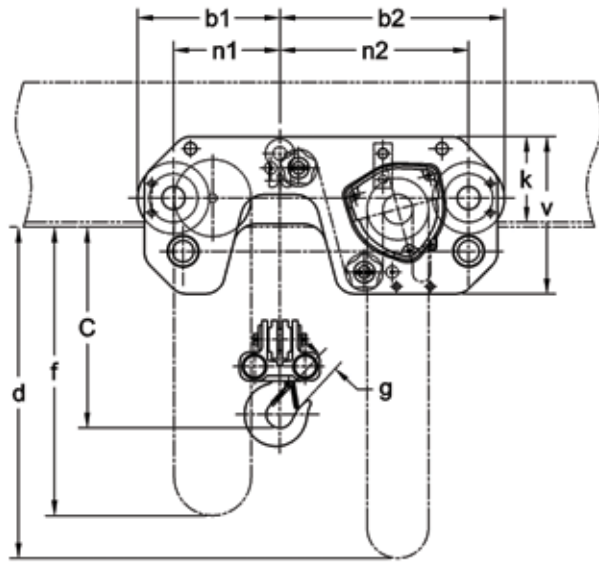
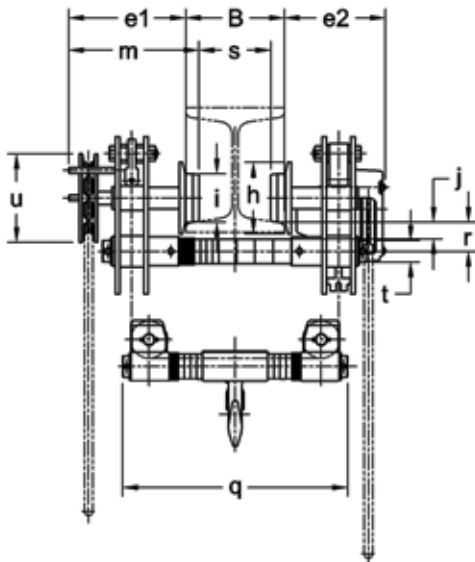
Options: (See pages 30–32)

- Bullard® and SmartLok™ hooks



SHB ULTRA-LOW HEADROOM TROLLEY HOIST — DIMENSIONS

| Cap. (Tons) | Product Code | b1 (in) | b2 (in) | d (ft) | e1 (in) | e2 (in) | f (ft) | g (in) | h (in) | i (in) | j (in) | k (in) | m (in) | n1 (in) | n2 (in) | q (in) | r (in) | s (in) | t (in) | u (in) | v (in) |
|-------------|--------------|---------|---------|--------|---------|---------|--------|--------|--------|--------|--------|--------|--------|---------|---------|--------|--------|--------|--------|--------|--------|
| 1 | SHB010 | 8.0 | 13.5 | 19.3 | 7.9 | 7.0 | 19.3 | 1.1 | 4.17 | 2.80 | 1.0 | 4.5 | 8.7 | 5.9 | 11.4 | 14.6 | 1.8 | B-1.6 | 1.22 | 6.02 | 9.6 |
| 2 | SHB020 | 9.6 | 15.7 | 19.0 | 8.9 | 7.6 | 19.0 | 1.4 | 5.00 | 3.35 | 1.2 | 6.6 | 9.9 | 7.1 | 13.2 | 17.3 | 2.1 | B-2.0 | 1.42 | | 11.4 |
| 3 | SHB030 | 11.6 | 18.3 | | 9.5 | 8.1 | | 1.7 | 5.83 | 3.94 | 1.3 | 7.0 | 10.6 | 8.7 | 15.4 | 18.3 | 2.4 | B-2.2 | 1.73 | 7.20 | 12.8 |
| 5 | SHB050 | 13.8 | 21.3 | 10.5 | 8.8 | 1.8 | 6.65 | 4.65 | 1.4 | 8.8 | 11.9 | 10.4 | 17.9 | 19.5 | 2.8 | B-2.9 | 2.17 | 15.4 | | | |
| 8 | SHB080 | 15.5 | 23.1 | 19.0 | 11.4 | 8.5 | 19.0 | 2.4 | 7.29 | 6.10 | 1.3 | 10.5 | 13.2 | 11.8 | 19.4 | 19.6 | 3.3 | B-3.5 | 2.76 | 8.43 | 16.5 |
| 10 | SHB100 | | | | | | | | | | | | | | | | | | | | |



SHB

SHB ULTRA-LOW HEADROOM TROLLEY HOIST — SPECIFICATIONS

| Cap. (Tons) | Product Code | Headroom C (in) | Standard Lift (ft) | Pull to Lift Load (lbs) | Overhaul Ratio | Flange Width Adjustability B (in) | Load Chain Dia. (mm) x Chain Fall Lines | Net Weight Approx. (lbs) | Shipping Weight Approx. (lbs) | Weight for Additional One Foot of Lift (lbs) |
|-------------|--------------|-----------------|--------------------|-------------------------|----------------|-----------------------------------|---|--------------------------|-------------------------------|--|
| | | | | | | Standard* | | | | |
| 1 | SHB010 | 4.5 | 20 | 59 | 50 | 2.28 to 6.42 | 5.0 x 2 | 166 | 176 | 2.0 |
| 2 | SHB020 | 5.7 | | 54 | 114 | 3.23 to 8.03 | 7.1 x 2 | 271 | 281 | 2.8 |
| 3 | SHB030 | 6.5 | | 63 | 140 | | 8.0 x 2 | 385 | 395 | 3.1 |
| 5 | SHB050 | 7.7 | | 75 | 198 | 3.94 to 8.03 | 9.0 x 2 | 655 | 665 | 3.7 |
| 8 | SHB080 | 10.0 | | 65 | 396 | 5.50 to 8.66 | 9.0 x 4 | 858 | 868 | 6.1 |
| 10 | SHB100 | | 81 | | | | | | | |

Due to wheelbase length, the SHB can not negotiate a curved beam.
 *Other beam widths available. Consult Customer Service.

PT Push Trolley and GT Geared Trolley

Push Trolley Capacities from 1/2 Through 10 Ton
Geared Trolley Capacities from 1/2 Through 20 Ton

Harrington push and geared trolleys help you maneuver easily on your most demanding lifting operations. They feature specially designed contoured wheels that ensure reliable tracking, and their sealed ball bearings avoid maintenance hassles and provide smooth operation.

Many Benefits from More Features:

- Get sure trolley tracking with specially designed contoured wheels that fit both tapered and flat-flange beams.
- Maintenance-free, sealed precision ball bearings are lubed-for-life and offer smooth movement, with low friction and long life.
- Get strength and rigidity from a lightweight, compact design.
- Easily adjust trolley to fit a wide variety of beam flange widths.
- Load equalizing suspension distributes the load to all wheels.
- Wide standard flange ranges reduce the need for optional extended shaft kits.
- Match the needs of the job with a variety of trolley hoist suspenders.

Capabilities to Count On:

- Use the economical PT for applications involving longer traversing distances.
- Use the GT for precise load control and shorter traversing distances.
- 1/2 through 3 Ton are supplied with Suspender C, which is suitable for most applications. Alternate suspenders may be required for your application — see trolley hoist suspenders on page 28.
- Geared trolleys of larger capacities are available. Please consult factory for details.



PT Push Trolley

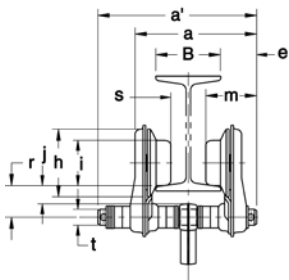


GT Geared Trolley

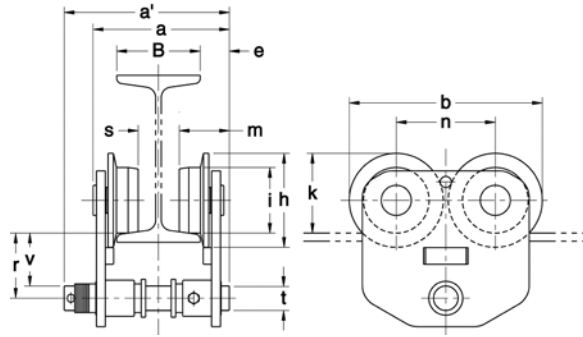
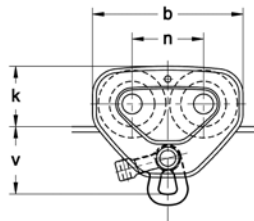
PT PUSH TROLLEY — SPECIFICATIONS & DIMENSIONS

| Cap. (Tons) | Product Code | Min. Radius for Curve (in) | Flange Width Adjustability B (in) | | a max (in) | a' (in) | b (in) | e (in) | h (in) | i (in) | j (in) | k (in) | m (in) | n (in) | r (in) | s (in) | t (in) | v (in) | Net Weight (lbs) | Shipping Weight (lbs) |
|-------------|--------------|----------------------------|-----------------------------------|-------------------------------|--------------|---------------|--------|--------|--------|--------|--------|--------|--------|--------|--------|--------|--------|--------|------------------|-----------------------|
| | | | Standard | Option | | | | | | | | | | | | | | | | |
| 1/2 | PTF2005 | 13.8 | 2.28 to 4.00 | 4.01 to 8.00 or 8.01 to 12.00 | 6.8 | 8.0 | 7.2 | 1.8 | 3.2 | 2.36 | 0.80 | 3.0 | 2.7 | 3.3 | 1.5 | B-1.8 | 0.87 | 3.7 | 9 | 11 |
| 1 | PTF2010 | 17.7 | 2.28 to 5.00 | 5.01 to 8.00 or 8.01 to 12.00 | 8.5 | 9.8 | 9.3 | 2.2 | 4.2 | 2.80 | 1.1 | 3.7 | 3.1 | 4.4 | 2.0 | B-1.9 | 0.98 | 4.2 | 15 | 18 |
| 1 1/2-2 | PTF2020 | 21.7 | 3.23 to 6.02 | 6.03 to 12.00 | 10.4 | 11.8 | 11.0 | 2.7 | 5.0 | 3.35 | 1.4 | 4.4 | 3.8 | 5.2 | 2.4 | B-2.3 | 1.26 | 5.2 | 29 | 31 |
| 2 1/2-3 | PTF2030 | 25.6 | | | 11.0 | 12.6 | 12.8 | 3.1 | 5.8 | 3.94 | | 5.3 | 4.3 | 6.0 | 2.7 | B-2.5 | 1.42 | 6.7 | 46 | 49 |
| 5 | PTF2050 | 78.7 | | | 4.92 to 7.02 | 7.03 to 12.00 | 10.7 | 11.7 | 13.7 | 2.1 | | 5.7 | 4.65 | 5.7 | 3.6 | 7.0 | 4.6 | B-3.0 | 1.73 | 3.8 |
| 8 | PT080 | 118.1 | 5.50 to 8.66 | 8.67 to 12.00 | 14.4 | 17.6 | 18.9 | 4.1 | 7.3 | 6.10 | - | 6.7 | 5.9 | 7.7 | 6.0 | B-3.6 | 2.76 | 4.7 | 212 | 254 |
| 10 | PT100 | | | | | | | | | | | | | | | | | | | |

Weights are approximate.



1/2 - 3 Ton

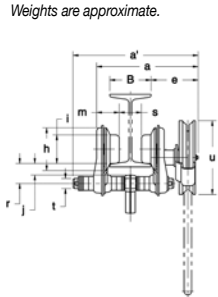


5 - 10 Ton

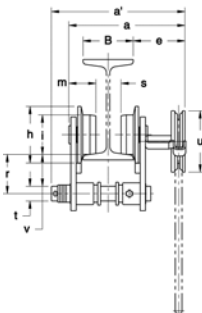
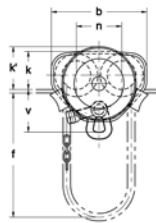
GT GEARED TROLLEY — SPECIFICATIONS & DIMENSIONS

| Cap. (Tons) | Product Code | Min. Radius for Curve (in) | Flange Width Adjustability B (in) | | a max (in) | a' (in) | b (in) | e (in) | f* (ft) | h (in) | i (in) | j (in) | k (in) | k' (in) | m (in) | n (in) | r (in) | s (in) | t (in) | u (in) | v (in) | Net Weight (lbs) | Shipping Weight (lbs) |
|-------------|--------------|----------------------------|-----------------------------------|-------------------------------|------------|---------|--------|--------|---------|--------|--------|--------|--------|---------|--------|--------|--------|--------|--------|--------|--------|------------------|-----------------------|
| | | | Standard | Option | | | | | | | | | | | | | | | | | | | |
| 1/2-1 | GTF2010 | 17.7 | 2.28 to 5.00 | 5.01 to 8.00 or 8.01 to 12.00 | 10.8 | 12.2 | 9.3 | 4.6 | 8 | 4.2 | 2.80 | 1.1 | 3.7 | 4.2 | 2.2 | 4.4 | 2.0 | B-1.9 | 0.98 | 7.2 | 4.2 | 24 | 27 |
| 1 1/2-2 | GTF2020 | 21.7 | 3.23 to 6.02 | 6.03 to 12.00 | 13.7 | 15.2 | 11.0 | 6.1 | | 5.0 | 3.35 | 1.3 | 4.4 | 4.3 | 2.8 | 5.2 | 2.4 | B-2.3 | 1.26 | | | | |
| 2 1/2-3 | GTF2030 | 25.6 | | | 14.1 | 15.7 | 12.8 | 6.2 | | 5.8 | 3.94 | 1.4 | 5.3 | 4.5 | 3.1 | 6.0 | 2.7 | B-2.5 | 1.42 | | | | |
| 5 | GTF2050 | 78.7 | 4.92 to 7.02 | 7.03 to 12.00 | 14.8 | 15.8 | 13.7 | 6.2 | 6.7 | 4.65 | - | 4.5 | 5.7 | 3.2 | 7.0 | 4.6 | B-3.0 | 1.73 | 3.8 | 104 | 108 | | |
| 8 | GT080 | 118.1 | 5.50 to 8.66 | 8.67 to 12.00 | 17.4 | 22.2 | 18.9 | 7.2 | 12 | 7.3 | 6.10 | - | 5.4 | 6.7 | 3.4 | 7.7 | 6.0 | B-3.6 | 2.76 | 8.4 | 4.6 | 218 | 261 |
| 10 | GT100 | | | | | | | | | | | | | | | | | | | | | | |
| 15 | GT150 | ∞ | 5.50 to 8.66 | 8.67 to 12.00 | 23.0 | 24.3 | 39.4 | 7.2 | 12 | 7.3 | 6.10 | - | 5.4 | 6.7 | 8.9 | 28.2 | 8.0 | B-3.6 | 2.76 | 8.4 | 4.6 | 534 | 616 |
| 20 | GT200 | | | | | | | | | | | | | | | | | | | | | | |

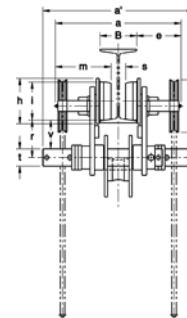
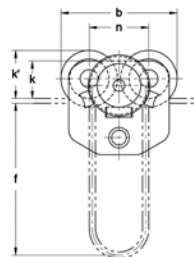
*Longer hand chain drops available upon request.
Weights are approximate.



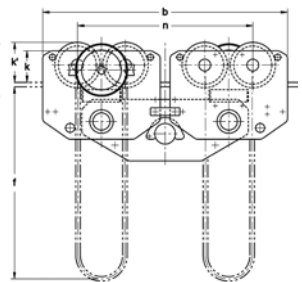
1/2 - 3 Ton



5 - 10 Ton



15 - 20 Ton



LX Lever Puller

1/4 and 1/2 Ton Capacity

Harrington's LX mini puller is lightweight, compact and built to perform. It fits conveniently in a toolbox and will easily handle pulling and moving jobs in many applications including transportation, construction and plumbing. Available in two capacities to fit all applications. The 1/2 Ton capacity is unique to the industry.

Many Benefits from More Features:

- Durable die-cast aluminum body with steel frame is compact and lightweight.
- Very low headroom design for use in tight spaces.
- Free-chain mechanism allows for quick adjustments.
- Extremely low pulling force is required for operation.
- Weston-style brake is totally enclosed to protect against dirt, dust and rain.
- Single step reduction gear assures load holding performance.
- Load chain guide mechanism permits smooth and quiet guiding of chain.
- Rubber handle grip for ease of use.
- Effortless to transport, install and store.
- Powder-coated body is resistant to corrosion, chipping, fading and wear.

Options: (See page 32)

- Heavy duty carrying case

Capabilities to Count On:

- Grade 100, nickel-plated load chain is corrosion and wear resistant.
- Strong hook latches include notched tip.
- 5-foot lift is standard. Longer lifts are available in both capacities.
- Sold individually or in convenient multi-packs— 1/4 Ton in 6-packs and 1/2 Ton in 4-packs.
- Test certificate verifies that every hoist has been factory load tested to 125% of rated capacity in accordance with ASME B30.21 requirements.



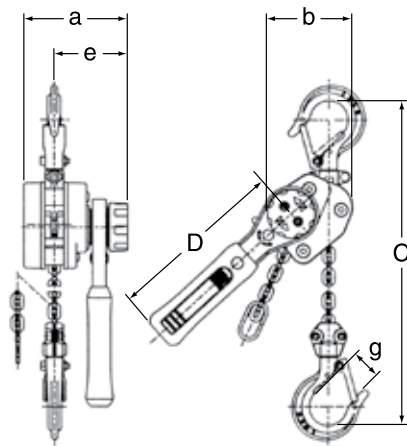
1/4 Ton

1/2 Ton

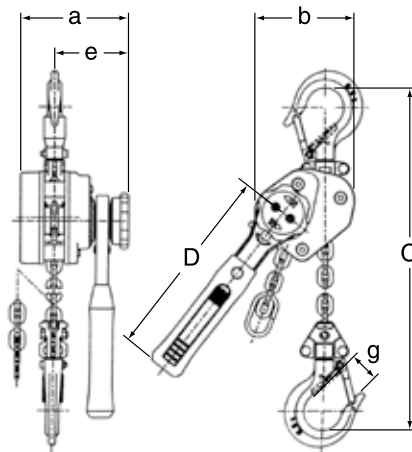
LX LEVER PULLER — SPECIFICATIONS & DIMENSIONS

| Cap. (Tons) | Product Code | Headroom C (in) | Std. Lift (ft) | Pull to Lift Load (lbs) | a (in) | b (in) | D (in) | e (in) | g (in) | Load Chain Diameter (mm) x Chain Fall Lines | Net Weight (lbs) | Shipping Weight Approx. (lbs) | Weight for Additional One Foot of Lift (lbs) |
|-------------|--------------|-----------------|----------------|-------------------------|--------|--------|--------|--------|--------|---|------------------|-------------------------------|--|
| 1/4 | LX003 | 8.1 | 5 | 40 | 3.4 | 2.9 | 5.9 | 2.4 | 0.8 | 3.2 x 1 | 3.5 | 4.0 | N/A |
| 1/2 | LX005 | 9.7 | | 62 | 3.9 | 3.7 | 7.1 | 2.6 | 0.9 | 4.3 x 1 | 5.7 | 6.2 | 0.25 |

Weights are approximate.



1/4 Ton LX



1/2 Ton LX

CX Mini Hand Chain Hoist

1/4, 1/2 and 1 Ton Capacity

Harrington's CX mini hand chain hoist is the world's smallest industrial hoist. This uniquely compact and lightweight hoist is the perfect choice for jobs with light loads in high or difficult to reach places such as duct installation, plumbing and heating, home automobile maintenance and crane repair.

Many Benefits from More Features:

- Unique design is extremely compact and lightweight
- Aluminum body with steel frame provides superior strength.
- Load limiter prevents the hoist from being used to lift damaging loads beyond rated capacity.
- Very low force is required to lift load.
- Metal chain guide allows smooth operation.
- Effortless to transport, install and store.
- Powder-coated body is resistant to corrosion, chipping, fading and wear.

Capabilities to Count On:

- Grade 100, nickel-plated load chain is corrosion and wear resistant.
- Strong hook latches include safety tip.
- 10-foot lift is standard, 20-foot lift is also stocked; nonstandard lifts and hand chain drops are also available.
- Sold individually or in convenient 4-packs.
- Test certificate verifies that every hoist has been factory load tested to 125% of rated capacity in accordance with ASME B30.16 requirements.



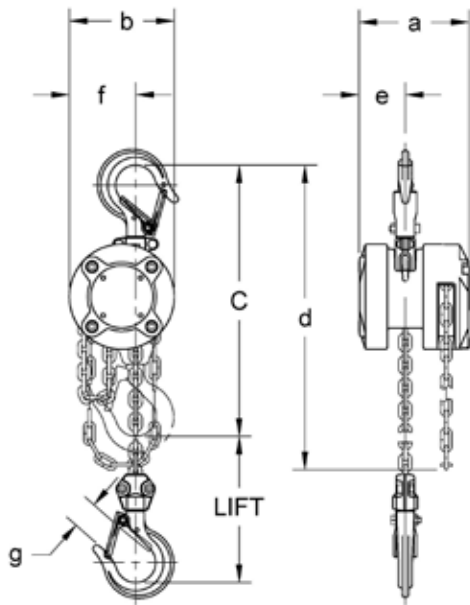
1/2 Ton

1 Ton

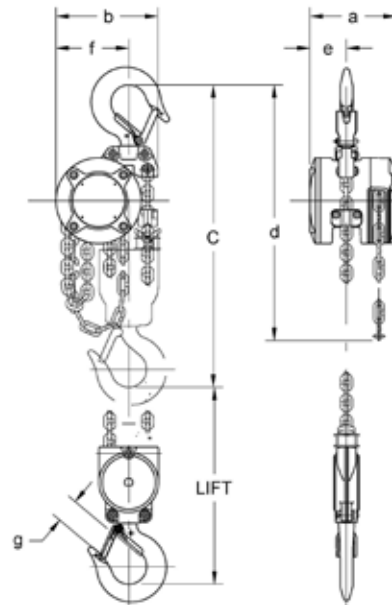
CX MINI HAND CHAIN HOIST — SPECIFICATIONS & DIMENSIONS

| Cap. (Tons) | Product Code | Headroom C (in) | Std. Lift (ft) | Pull to Lift Load (lbs) | Over-haul Ratio | a (in) | b (in) | d (ft) | e (in) | f (in) | g (in) | Load Chain Diameter (mm) x Chain Fall Lines | Net Weight (lbs) | Shipping Weight Approx. (lbs) | Weight for Additional One Foot of Lift (lbs) |
|-------------|--------------|-----------------|----------------|-------------------------|-----------------|--------|--------|--------|--------|--------|--------|---|------------------|-------------------------------|--|
| 1/4 | CX003 | 8.5 | 10 | 33 | 34 | 3.5 | 3.3 | 6.8 | 1.5 | 2.1 | 0.8 | 3.2 x 1 | 7 | 7 | 0.3 |
| 1/4 | CX003 | 8.5 | 20 | 33 | 34 | 3.5 | 3.3 | 16.6 | 1.5 | 2.1 | 0.8 | 3.2 x 1 | 9 | 9 | 0.3 |
| 1/2 | CX005 | 10.2 | 10 | 42 | 43 | 4.0 | 4.0 | 6.8 | 1.7 | 2.6 | 1.0 | 4.3 x 1 | 10 | 10.6 | 0.6 |
| 1/2 | CX005 | 10.2 | 20 | 42 | 43 | 4.0 | 4.0 | 16.6 | 1.7 | 2.6 | 1.0 | 4.3 x 1 | 16 | 16.4 | 0.6 |
| 1 | CX010 | 14.1 | 10 | 44 | 86 | 4.1 | 4.8 | 6.8 | 1.7 | 3.4 | 1.1 | 4.3 x 2 | 17 | 17.4 | 3.1 |
| 1 | CX010 | 14.1 | 20 | 44 | 86 | 4.1 | 4.8 | 16.6 | 1.7 | 3.4 | 1.1 | 4.3 x 2 | 26 | 26.7 | 3.1 |

Weights are approximate.



1/4 Ton CX



1 Ton CX

Trolley Hoist Suspenders



Suspender C (sm)

For use with CF and CB models in 1/2, 1, 1 1/2, 2, and 2 1/2 Ton capacities.



Suspender C (lg)

For use with CF and CB models in 3 and 5 Ton capacities.

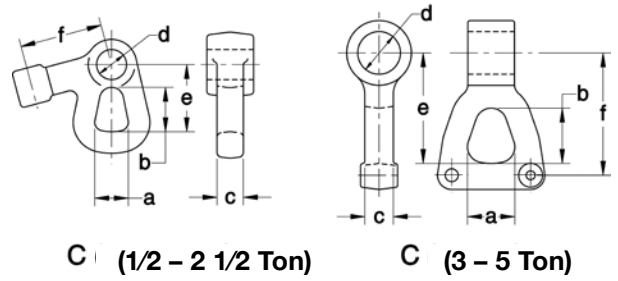


Suspender H

For hook mounting CF, CB and Harrington electric hoists in 1/2 through 3 Ton capacities.

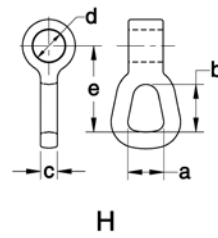
SUSPENDER C — DIMENSIONS

| Cap. (Tons) | a (in) | b (in) | c (in) | d (in) | e (in) | f (in) |
|-------------|--------|--------|--------|--------|--------|--------|
| 1/2 | 1.0 | 1.3 | 0.6 | 0.87 | 2.1 | 2.6 |
| 1 | 1.1 | 1.5 | 0.7 | 0.99 | 2.2 | 2.7 |
| 2 | 1.3 | 1.6 | 0.9 | 1.27 | 2.7 | 3.2 |
| 2 1/2 | 1.4 | 1.7 | 1.0 | 1.43 | 3.0 | 3.6 |
| 3 | 1.6 | 1.9 | 1.2 | 1.43 | 4.0 | 4.5 |
| 5 | 2.4 | 2.8 | 1.4 | 2.13 | 5.5 | 6.1 |



SUSPENDER H — DIMENSIONS

| Cap. (Tons) | a (in) | b (in) | c (in) | d (in) | e (in) |
|-------------|--------|--------|--------|--------|--------|
| 1/4-1/2 | 1.0 | 1.3 | 0.4 | 0.91 | 2.3 |
| 1 | 1.1 | 1.5 | 0.5 | 1.02 | 2.6 |
| 1 1/2-2 | 1.4 | 1.8 | 0.7 | 1.30 | 3.3 |
| 2 1/2-3 | 1.7 | 2.1 | 0.9 | 1.46 | 3.9 |



Product Options

Corrosion-Resistant Chain

Harrington's Nickel-Plated (NP) Chain is designed for use in corrosive environments where saltwater, rain, steam, and many acidic and alkaline solutions are prevalent. The specific temperature, concentration, and duration of exposure will affect the corrosion rate of the chain. Please consult factory for assistance.

Chain Containers

Harrington offers a broad range of chain containers for use with manual hoist products. These feature the same industrial quality construction as the containers available for our electric hoists.

- Chain containers are available in three basic sizes: 05, 10 and 15.
- Containers are constructed from vinyl-coated canvas with a steel frame on top.
- The containers are prepared differently depending on the hoist model.
- CF and NTH model hoists must be disassembled to install a container and must be load tested after assembly. The containers should be installed by Harrington or a repair company capable of performing load tests.

CB WITH CHAIN CONTAINER

| Hoist Product Code | Maximum Lift (ft) | |
|--------------------|-------------------|---------|
| | Size 05 | Size 10 |
| CB005 | 39 | 68 |
| CB010 | 39 | 68 |
| CB015 | 28 | 49 |
| CB020 | 22 | 39 |
| CB025 | 22 | 38 |
| CB030 | 14 | 24 |
| CB050 | 11 | 19 |

CF WITH CHAIN CONTAINER

| Hoist Product Code | Maximum Lift (ft) | |
|--------------------|-------------------|---------|
| | Size 05 | Size 10 |
| CF005 | 39 | 68 |
| CF010 | 39 | 68 |
| CF015 | 28 | 49 |
| CF020 | 20 | 34 |
| CF030 | 14 | 24 |
| CF050 | 9 | 16 |

NTH WITH CHAIN CONTAINER

| Hoist Product Code | Maximum Lift (ft) | | |
|--------------------|-------------------|---------|---------|
| | Size 05 | Size 10 | Size 15 |
| NTH010 | 39 | 68 | 134 |
| NTH020 | 20 | 34 | 67 |
| NTH030 | 14 | 24 | 48 |
| NTH050 | 9 | 16 | 32 |

Latch Kits

Each Harrington latch kit contains a steel latch, stainless steel latch spring, attachment clamp, and all required hardware. The clamp attaches tightly to the hook neck, while finger lugs on each side of the latch allow it to be opened easily with either hand. A centering indentation on the bottom of the latch prevents the latch from slipping off the hook point. Harrington latch kits come in 13 standard sizes and can be custom manufactured for other neck and throat openings. Stainless steel hook latches are available for specialty applications. Consult Customer Service for more information.

Load Limit Warning Handle

An LB lever hoist equipped with a load limit warning handle alerts the operator when the hoist is being used to lift damaging loads beyond rated capacity. The load limit warning handle signals the operator in three ways:

- Sight: The green signal changes to red.
- Feel: The load handle deflects 15-degrees.
- Sound: The handle emits a click when deflected.

The handle resets when you operate the hoist in the down direction.

Top Hook Extenders

LB lever hoists are available with a top hook extender that locates the hoist body away from its attachment point. The top hook extender is 18 inches long and is available for 3/4 through 3 Ton LB lever hoists.

Point Load Hook

Harrington offers a special hook for the 1 1/2 and 3 Ton LB lever hoists that is designed to accommodate point loading. This hook is popular in ship and rail yards, where pulling operations can result in hook point loading.

Slip Clutch

Harrington offers a slip clutch device on our LB lever hoists which prevents the hoist from being used to lift damaging loads beyond rated capacity. This factory installed slip clutch is available on 3/4, 1 1/2, 2 3/4, 3 and 6 Ton capacities. Hoists with the slip clutch are clearly marked and the free knob is black in color to easily identify the installation of this option.



Load Limit Warning Handle



Top Hook Extender



Point Load Hooks



Slip Clutch

Product Options

Inspection Hooks

Harrington's inspection hook is suitable for applications where inspection of the internal parts of the hook set is required. The inspection hook uses the standard Harrington hook set and is assembled with high-strength locking fasteners instead of rivets. Inspection hooks are available in top and bottom versions for single fall LB, CB, CF, and NTH model hoists.

Bullard® and SmartLok™ Hooks

These hooks offer a positive locking latch feature. Consult Customer Service for full details.



Bullard®



SmartLok™

Heavy Duty Carrying Case

Harrington offers a rugged carrying case for the LX003-5 Mini Puller. This case provides convenient hoist access and protects the hoist while on a tool belt or when storing the hoist in a toolbox.

- Constructed of canvas material for durability
- Convenient belt loop for easy tool belt attachment
- Velcro flap for quick access
- Lightweight for user comfort
- Case is available for 1/4 Ton model



Hoist Load Testers

Use a Harrington Hoist Load Tester to test hoists in accordance with ASME B30.16 and B30.21 requirements. The Static Hoist Load Tester (SHLT) performs a static load test for manually operated hoists. The Dynamic Hoist Load Tester (DHLT) can be used to test either manually operated hoists or electric hoists.

- The SHLT and DHLT are capable of a maximum load test of 27,500 lb.
- Eliminate the need for bulky test weights; the SHLT and DHLT take only a 5' x 7'2" area by 8'9" height.
- Both load testers indicate the applied load on a hydraulic pressure gauge.
- The DHLT tests hoists with speeds up to 35 feet per minute. It applies the test load while the hoist is in operation, and it runs on 220 V of single-phase power.



Static Hoist Load Tester (SHLT)

Technical Information

Compliance

Harrington's LB and LX lever hoists are produced to comply with:

- ANSI/ASME B30.21, "Safety Standard—Manually Lever Operated Hoists."
- ANSI/ASME HST—3M, "Performance Standard for Manually Lever Operated Chain Hoists."

Harrington's CF and CB hand chain hoists and NTH and SHB trolley hoist are produced to comply with:

- ANSI/ASME B30.16, "Safety Standard—Overhead Hoists (Underhung)."
- ANSI/ASME HST—2M, "Performance Standard for Hand Chain Manually Operated Chain Hoists."

Harrington's CX hand chain hoists are produced to comply with:

- ANSI/ASME B30.16, "Safety Standard—Overhead Hoists (Underhung)."
- ANSI/ASME HST—2M, "Performance Standard for Hand Chain Manually Operated Chain Hoists."
- CE—European Conformity

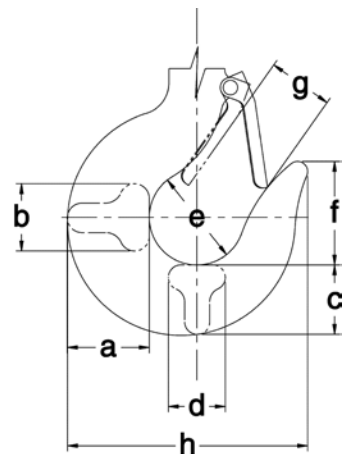
Harrington's PT and GT manual trolleys and NTH trolley hoist are produced to comply with the trolley-related requirements of:

- OSHA Section 1910.179 of Title 29, "Occupational Safety and Health Regulations—Overhead and Gantry Cranes."
- ANSI/ASME B30.11, "Safety Standard—Monorails and Underhung Cranes."
- ANSI/ASME B30.17, "Safety Standard—Overhead and Gantry Cranes (Top Running Bridge, Single Girder, Underhung Hoist)."

34

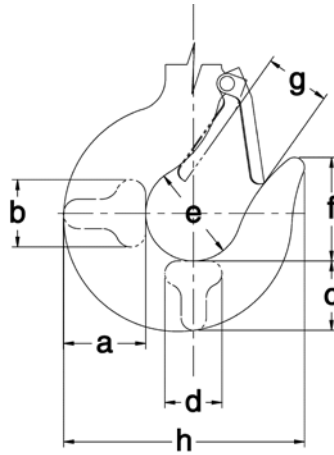
LB TOP AND BOTTOM HOOK — DIMENSIONS

| Cap. (Tons) | a (in) | b (in) | c (in) | d (in) | e (in) | f (in) | g (in) | h (in) |
|-------------|--------|--------|--------|--------|--------|--------|--------|--------|
| 3/4 | 0.9 | 0.6 | 0.8 | 0.6 | 1.4 | 1.4 | 0.91 | 3.2 |
| 1 | 0.9 | 0.6 | 0.8 | 0.6 | 1.7 | 1.7 | 1.14 | 3.7 |
| 1 1/2 | 1.2 | 0.7 | 1.0 | 0.7 | 1.7 | 1.8 | 1.26 | 4.1 |
| 2-2 3/4 | 1.4 | 0.8 | 1.14 | 0.8 | 1.9 | 2.0 | 1.42 | 4.7 |
| 3 | 1.6 | 1.0 | 1.2 | 1.0 | 2.0 | 2.2 | 1.54 | 5.0 |
| 6 | 2.1 | 1.3 | 1.6 | 1.3 | 2.4 | 2.7 | 1.97 | 6.2 |
| 9 | 2.6 | 1.6 | 2.0 | 1.6 | 3.4 | 3.5 | 2.84 | 8.5 |



CB TOP AND BOTTOM HOOK — DIMENSIONS

| Cap. (Tons) | a (in) | b (in) | c (in) | d (in) | e (in) | f (in) | g (in) | h (in) |
|-------------|--------|--------|--------|--------|--------|--------|--------|--------|
| 1/2 | 0.8 | 0.5 | 0.7 | 0.5 | 1.4 | 1.4 | 1.1 | 3.0 |
| 1 | 1.0 | 0.6 | 0.9 | 0.6 | 1.7 | 1.6 | | 3.6 |
| 1 1/2 | 1.2 | 0.8 | 1.0 | 0.8 | 1.9 | 1.9 | 1.3 | 4.3 |
| 2 | 1.4 | 0.9 | 1.2 | 0.9 | 2.0 | | 1.4 | 4.7 |
| 2 1/2 | 1.6 | 1.0 | 1.3 | 1.0 | 2.1 | 2.1 | 1.6 | 4.9 |
| 3 | 1.8 | 1.1 | 1.5 | 1.1 | 2.2 | 2.2 | 1.7 | 5.4 |
| 5 | 2.2 | 1.4 | 1.9 | 1.4 | 2.5 | 2.7 | 1.8 | 6.3 |
| 8 | 3.0 | 1.9 | 2.5 | 1.9 | 3.3 | 3.8 | 2.9 | 9.1 |
| 10 | | | | | | | | |
| 15 | 3.7 | 2.4 | 3.1 | 2.0 | 3.9 | 4.3 | 3.1 | 10.8 |
| 20 | 4.2 | 2.6 | 3.5 | 2.2 | 4.3 | 4.9 | 3.2 | 11.9 |
| 30 | 5.2 | 3.3 | 4.4 | 3.6 | 4.9 | 5.6 | 4.1 | 14.4 |
| 40 | 5.9 | 4.9 | 5.3 | 4.3 | 5.7 | 7.2 | 3.8 | 16.3 |
| 50 | 6.7 | 5.3 | 6.1 | 4.7 | 6.5 | 8.0 | 4.0 | 17.7 |
| 80 | — | 5.7 | 8.0 | 5.7 | 7.5 | 10.0 | 5.1 | 21.9 |
| 100 | | 8.3 | 9.8 | 8.3 | 9.4 | 12.2 | 7.3 | 28.0 |



Hook diagram applies to all charts on page.

CF TOP AND BOTTOM HOOK — DIMENSIONS

| Cap. (Tons) | a (in) | b (in) | c (in) | d (in) | e (in) | f (in) | g (in) | h (in) |
|-------------|--------|--------|--------|--------|--------|--------|--------|--------|
| 1/2 | 0.8 | 0.5 | 0.7 | 0.5 | 1.4 | 1.4 | 1.1 | 3.0 |
| 1 | 1.0 | 0.6 | 0.9 | 0.6 | 1.7 | 1.6 | | 3.6 |
| 1 1/2 | 1.2 | 0.8 | 1.0 | 0.8 | 1.9 | 1.9 | 1.3 | 4.3 |
| 2 | 1.4 | 0.9 | 1.2 | 0.9 | 2.0 | | 1.4 | 4.7 |
| 3 | 1.8 | 1.1 | 1.5 | 1.1 | 2.2 | 2.2 | 1.7 | 5.4 |
| 5 | 2.2 | 1.4 | 1.9 | 1.4 | 2.5 | 2.7 | 1.8 | 6.3 |

NTH BOTTOM HOOK — DIMENSIONS

| Cap. (Tons) | a (in) | b (in) | c (in) | d (in) | e (in) | f (in) | g (in) | h (in) |
|-------------|--------|--------|--------|--------|--------|--------|--------|--------|
| 1 | 1.0 | 0.6 | 0.9 | 0.6 | 1.7 | 1.6 | 1.1 | 3.6 |
| 2 | 1.4 | 0.9 | 1.2 | 0.9 | 2.0 | 1.9 | 1.4 | 4.7 |
| 3 | 1.8 | 1.1 | 1.5 | 1.1 | 2.2 | 2.2 | 1.7 | 5.4 |
| 5 | 2.2 | 1.4 | 1.9 | 1.4 | 2.5 | 2.7 | 1.8 | 6.3 |

Technical Information

SHB BOTTOM HOOK — DIMENSIONS

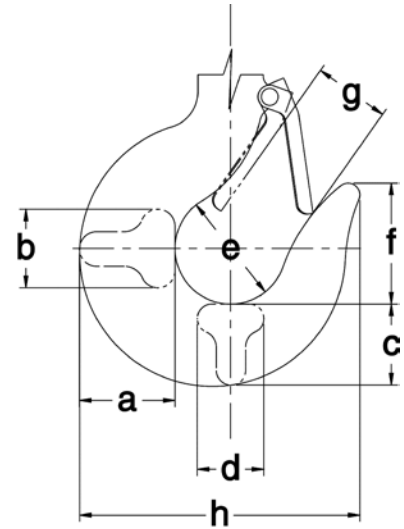
| Cap. (Tons) | a (in) | b (in) | c (in) | d (in) | e (in) | f (in) | g (in) | h (in) |
|-------------|--------|--------|--------|--------|--------|--------|--------|--------|
| 1 | 1.0 | 0.6 | 0.9 | 0.6 | 1.7 | 1.6 | 1.1 | 3.7 |
| 2 | 1.4 | 0.9 | 1.2 | 0.9 | 2.0 | 1.9 | 1.4 | 4.6 |
| 3 | 1.8 | 1.1 | 1.5 | 1.1 | 2.2 | 2.2 | 1.7 | 5.4 |
| 5 | 2.2 | 1.4 | 1.9 | 1.4 | 2.5 | 2.7 | 1.8 | 6.3 |
| 8 | 3.3 | 2.2 | 2.9 | 1.9 | 3.3 | 3.6 | 2.4 | 9.5 |
| 10 | 3.3 | 2.2 | 2.9 | 1.9 | 3.3 | 3.6 | 2.4 | 9.5 |

LX TOP AND BOTTOM HOOK — DIMENSIONS

| Cap. (Tons) | a (in) | b (in) | c (in) | d (in) | e (in) | f (in) | g (in) | h (in) |
|-------------|--------|--------|--------|--------|--------|--------|--------|--------|
| 1/4 | 0.57 | 0.43 | 0.49 | 0.43 | 1.26 | 1.18 | 0.80 | 2.55 |
| 1/2 | 0.69 | 0.47 | 0.59 | 0.47 | 1.40 | 1.37 | 0.90 | 2.90 |

CX TOP AND BOTTOM HOOK — DIMENSIONS

| Cap. (Tons) | a (in) | b (in) | c (in) | d (in) | e (in) | f (in) | g (in) | h (in) |
|-------------|--------|--------|--------|--------|--------|--------|--------|--------|
| 1/4 | 0.57 | 0.43 | 0.49 | 0.43 | 1.26 | 1.18 | 0.80 | 2.55 |
| 1/2 | 0.69 | 0.47 | 0.59 | 0.47 | 1.40 | 1.38 | 0.96 | 2.87 |
| 1 | 0.93 | 0.59 | 0.83 | 0.59 | 1.67 | 1.77 | 1.14 | 3.70 |



Hook diagram applies to all charts on page.

Glossary

Capacity:

The maximum load a hoist is designed to lift or pull. Commonly expressed in Tons. (1 Ton = 2,000 lbs.)

Chain Fall Lines:

The number of lines of chain between the hoist body and bottom hook. Also referred to as "reeves."

Grade 100 Load Chain:

Load chain used only on manual chain hoists, where the grade number indicates the relative strength of the chain for its size (i.e., larger grade numbers indicate stronger chain).

Hand Chain:

The chain that the operator pulls to lift or lower the load.

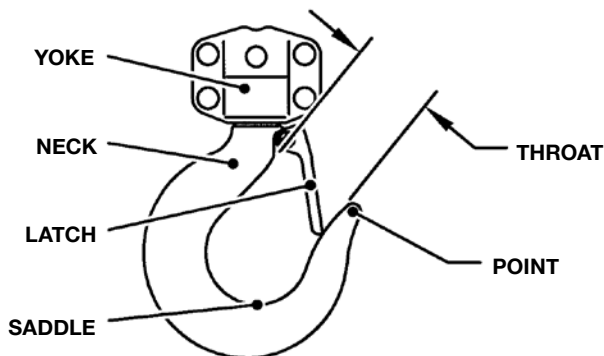
Hand Chain Drop:

On drawings in this catalog, hand chain drop is dimension 'd' for hoists and 'f' for trolleys. Hand chain drop is a measure of how low the hand chain hangs. For a hoist, it is how low the hand chain hangs measured from the hoist's top hook. For a hoist suspended from a trolley, it is how low the hand chain hangs measured from the bottom of the beam that the trolley rides on.

Headroom:

On drawings in this catalog, headroom is indicated by dimension 'C'. It is measured when the hoist's bottom hook is in its uppermost position. For a hoist, headroom is the distance between the top and bottom hooks. For a hoist suspended from a trolley, headroom is the distance from the bottom of the beam to the bottom hook.

Hook Parts:



Lift:

The maximum distance the bottom hook can travel.

Load Chain:

The hoist's load bearing chain.

Minimum Radius for Curve:

Defines the sharpest curve of a beam on which the trolley can operate.

Overhaul Ratio:

The distance in feet that the hand chain must travel to lift or lower the load a distance of 1 foot.

Pawl:

A component of the Weston brake that prevents rotation, thereby holding the load.

Point Loading:

A condition where part of the load applied to the hook is supported by the hook's point, or tip. Such applications require a hook designed for point loading.

Pull to Lift Load:

The force in pounds required by the operator to lift a rated capacity load.

Split Load Double Reduction Gears:

A gear train in which the load is supported by two sets of gears, with each gear set incorporating two gear reductions.

Suspender:

A load bearing component designed to connect a hoist to a trolley.

Test Load:

The load applied to the hoist to confirm proper operation in accordance with ASME B30.16 and ASME B30.21 test requirements.

Weston Brake:

A mechanical brake that allows operation of the hoist to lift, lower, or move the load, yet securely holds the load in between hoist operations.

Notes

Complete Product Offering

Over the years Harrington has continued to respond to the needs of our customers by further expanding our product offerings. In addition to the many models described in this catalog, our full series of product catalogs, as shown below, will provide you with all of the information you will need to answer questions, specify a product and place an order. For catalog copies or answers to specific product questions, please contact our Customer Service Department by calling 800-233-3010 or e-mail customerservice@harringtonhoists.com



Electric Powered Hoists Catalog

Refer to this Harrington catalog for detailed information on the following:

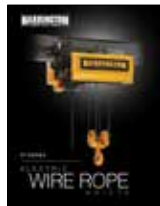
- Three phase electric hoists and trolleys
- Single phase electric hoists and trolleys
- Ergonomic electric hoists



Air Powered Hoists Catalog

Refer to this Harrington catalog for detailed information on the following:

- Compact Mini-Cat with pendant, cord and manipulator controls
- Air hoists with pendant and cord controls
- Air trolleys



Electric Wire Rope Hoists Catalog

Refer to this Harrington catalog for detailed information on the following:

- Ultra-low headroom trolley hoists



Crane Components Catalog

Refer to this Harrington catalog for detailed information on the following:

- End trucks-top running-motorized, geared and push
- End trucks-underhung-motorized, geared and push
- Double girder MAX-E-Lift end trucks
- Convertible push end trucks
- Beam accessory kits



Complete Cranes Catalog

Refer to this Harrington catalog for detailed information on the following:

- Heavy-duty Class C single girder top running and underhung cranes
- Heavy-duty Class C double girder top running and underhung cranes
- Medium-duty top running and underhung push cranes
- Crane control panels

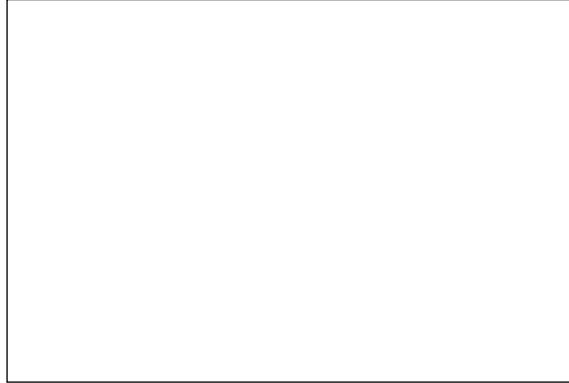


Below-The-Hook and Material Handling Equipment

Refer to this Harrington catalog for detailed information on the following:

- Lifting beams and spreader beams
- Roll lifters, coil lifters and tongs
- Sheet lifters and pallet lifters
- Fork truck accessories
- Material stands and material baskets

CONTACT YOUR NEARBY HARRINGTON DISTRIBUTOR



Warranty

All products sold by Harrington Hoists, Inc. are warranted to be free from defects in material and workmanship from date of shipment by Harrington for the following periods:

**1 year—Electric and Air Powered Hoists (excluding (N)ER2 Enhanced Features Models, EQ/SEQ Hoists),
Powered Trolleys, Powered Tiger Track Jibs and Gantries, Crane Components, Sling Chain,
Spare/Replacement Parts, Below-The-Hook and Material Handling Equipment**

2 years—Manual Hoists & Trolleys, Beam Clamps

3 years—(N)ER2 Enhanced Features Model Hoists, EQ/SEQ Hoists

5 years—Manual Tiger Track Jibs and Gantries, TNER and EQ/SEQ Pull-Rotor Motor Brake

10 years—(N)ER2 “The Guardian” Smart Brake

The product must be used in accordance with manufacturer’s recommendations and must not have been subject to abuse, lack of maintenance, misuse, negligence, or unauthorized repairs or alterations.

Should any defect in material or workmanship occur during the above time period in any product, as determined by Harrington Hoist’s inspection of the product, Harrington Hoists, Inc. agrees, at its discretion, either to replace (not including installation) or repair the part or product free of charge and deliver said item F.O.B. Harrington Hoists, Inc. place of business to customer.

Customer must obtain a Return Goods Authorization as directed by Harrington or Harrington’s published repair center prior to shipping product for warranty evaluation. An explanation of the complaint must accompany the product. Product must be returned freight prepaid. Upon repair, the product will be covered for the remainder of the original warranty period. Replacement parts installed after the original warranty period will only be eligible for replacement (not including installation) for a period of one year from the installation date. If it is determined there is no defect, or that the defect resulted from causes not within the scope of Harrington’s warranty, the customer will be responsible for the costs of returning the product.

Harrington Hoists, Inc. disclaims any and all other warranties of any kind expressed or implied as to the product’s merchantability or fitness for a particular application. Harrington will not be liable for death, injuries to persons or property or for incidental, contingent, special or consequential damages, loss or expense arising in connection with the use or inability whatever, regardless of whether damage, loss or expense results from any act or failure to act by Harrington, whether negligent or willful, or from any other reason.

Harrington Hoists, Inc.
401 West End Avenue
Manheim, PA 17545



www.harringtonhoists.com

Toll Free: 800-233-3010
Phone: 717-665-2000
Fax: 717-665-2861

