



DUCT-O-WIRE®

Enclosed Pendant Push Button Stations

Switches and Accessories • Cables and Cable Assemblies



J SERIES

SQUARE D SERIES

PSW SERIES

RPS SERIES

L SERIES

RPB SERIES

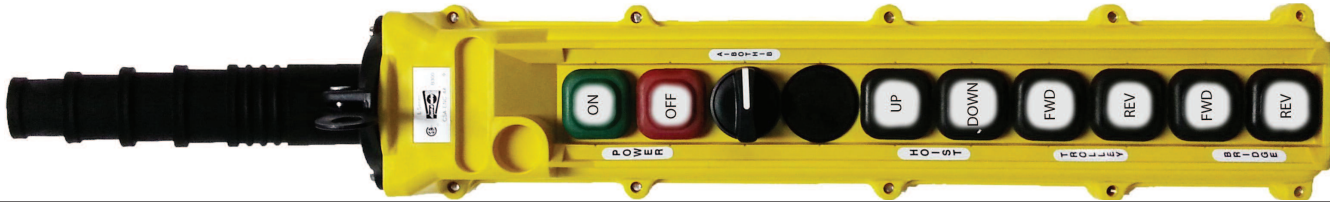
Duct-O-Wire® has the most complete line of pendant stations in the industry. We offer a variety of pendants ranging from small and ergonomic two button enclosures to multi-function and severe environment application solutions.

Duct-O-Wire® Company reserves the right to alter or amend technical specifications at any time with or without notice.



Pictures are for illustration purposes and may not represent actual product.

PB-14
SUPERSEDES PB-10



L Series Pendant Push Button Stations

Single-Speed, Two-Speed, Three-Speed and Accessories

With Standard Multi-Step Cord Grip



L2-S



L4-S
L4-D



L6-S
L6-D



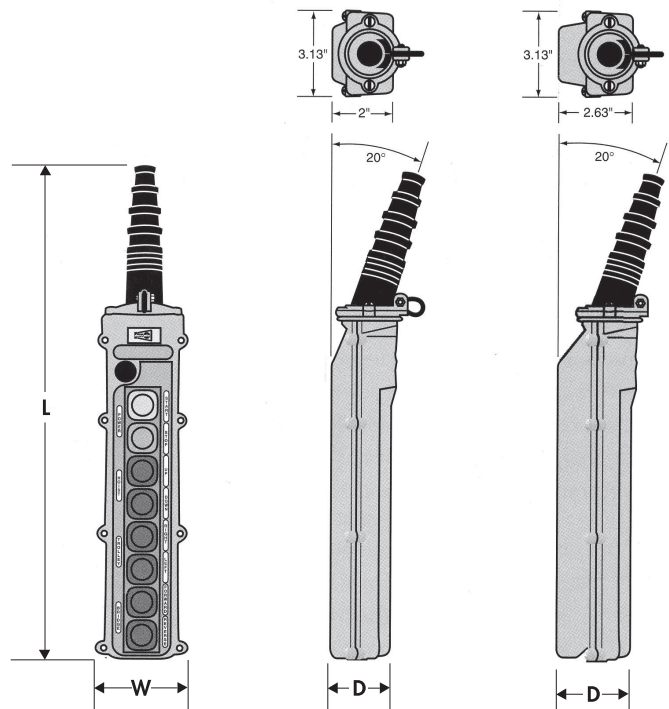
L8-S
L8-D



L10-S
L10-D

- Polypropylene Construction
- NEMA 1, 3, 4, 4X and 12
- Multi-Step Cord Grip for 4 to 24 Conductor Cable
- Slim Back Profile (S) for Ergonomic Look & Feel
- Deep Back (D) Profile for Extra Wiring Space
- Strain Relief Hook and Cable Clamp Set
- Large Variety of Accessory Switches Available
- Replaceable Neoprene Boots
- Easy to Read Legend Plates (Button and Body)
- UL Listed and CSA Approved (150928)

Catalog Number	Enclosure Type	W Width	D Depth	L Length	Wt. #	Cable Range
L2-S	2 Button Shallow	3.13"	2.00"	11.75"	.56	.640" - .890"
L4-S	4 Button Shallow	3.13"	2.00"	13.25"	.64	.640" - .890"
L6-S	6 Button Shallow	3.13"	2.00"	15.50"	.74	.640" - .890"
L8-S	8 Button Shallow	3.13"	2.00"	17.75"	.88	.640" - .890"
L10-S	10 Button Shallow	3.13"	2.00"	20.00"	.96	.640" - .890"
L4-D	4 Button Deep	3.13"	2.63"	13.25"	.70	.640" - .890"
L6-D	6 Button Deep	3.13"	2.63"	15.50"	.80	.640" - .890"
L8-D	8 Button Deep	3.13"	2.63"	17.75"	.92	.640" - .890"
L10-D	10 Button Deep	3.13"	2.63"	20.00"	1.04	.640" - .890"



Pictures are for illustration purposes and may not represent actual product.
Duct-O-Wire® recommends installation of an Emergency Stop on all Pendants.



L Series Pendant Push Button Stations

Single-Speed, Two-Speed, Three-Speed and Accessories

With Water-Tight Bushing Cord Grip Option



L10-S
L10-D



L8-S
L8-D



L6-S
L6-D

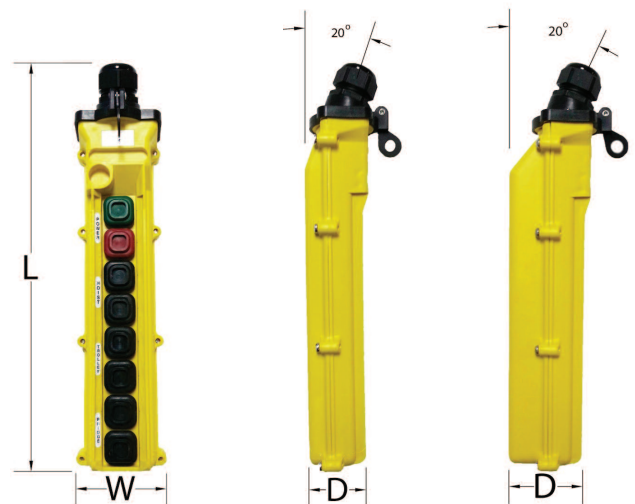
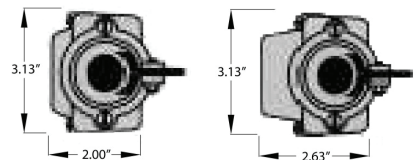


L4-S
L4-D



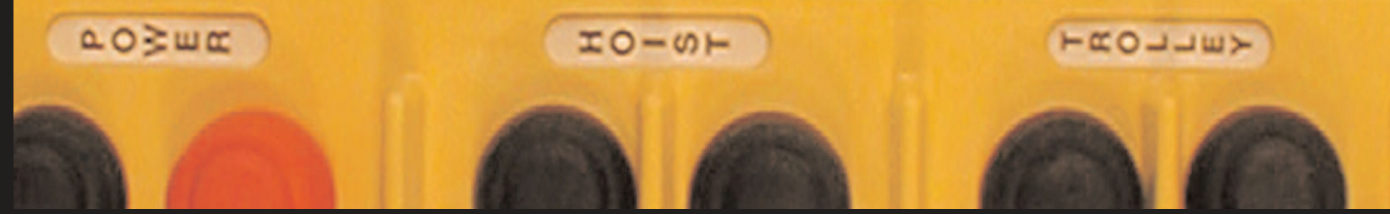
L2-S

- Polypropylene Construction
- NEMA 1, 3, 4, 4X and 12
- Water Tight Cord Grips
 - L-CG1 = .433" - .827" (RPC-414, RPC-816, RPC-1216)
 - L-CG2 = .699" - .984" (RPC-1216, RPC-1616, RPC-2416)
- Slim Back Profile (S) for Ergonomic Look & Feel
- Deep Back (D) Profile for Extra Wiring Space
- Strain Relief Hook and Cable Clamp Set
- Large Variety of Accessory Switches Available
- Replaceable Neoprene Boots
- Easy to Read Legend Plates (Button and Body)
- UL Listed and CSA Approved (150928)



Catalog Number	Enclosure Type	W Width	D Depth	L Length	Wt. #
L2-S	2 Button Shallow	3.13"	2.00"	8.75"	.61
L4-S	4 Button Shallow	3.13"	2.00"	10.25"	.68
L6-S	6 Button Shallow	3.13"	2.00"	12.50"	.81
L8-S	8 Button Shallow	3.13"	2.00"	14.75"	.92
L10-S	10 Button Shallow	3.13"	2.00"	17.00"	1.13
L4-D	4 Button Deep	3.13"	2.63"	10.25"	.74
L6-D	6 Button Deep	3.13"	2.63"	12.50"	.87
L8-D	8 Button Deep	3.13"	2.63"	14.75"	.96
L10-D	10 Button Deep	3.13"	2.63"	17.00"	1.21

Pictures are for illustration purposes and may not represent actual product.
Duct-O-Wire® recommends installation of an Emergency Stop on all Pendants.



J Series Pendant Stations - Polypropylene Enclosures

One-Speed through Five-Speed Control plus Accessories

With Standard Cord Grip



J-6 Six-Button



J-8 Eight-Button



J-10 Ten-Button

Each enclosure includes a standard package of legend plates, cord grip, strain relief thimble and neoprene boots. The top accessory area on these enclosures will accept one two-button insert or two single buttons.

- Durable and lightweight Polypropylene Construction
- NEMA 1, 3, and 12
- Bright yellow for visibility and safety
- High resistance to solvents and impact
- CSA Approved
- Easy to read legend plates

Dimensions and Weights					
Enclosure Catalog Number	Dimension-Inches			Weight Lbs.	Accommodates Cable Diameter (Inches*)
	Width	Depth	Length		
J-6	3-3/4	3-3/4	16	2-1/2	.688 - 1.250
J-8	3-3/4	3-3/4	20	3	.688 - 1.250
J-10	3-3/4	3-3/4	24	3-1/2	.688 - 1.250

* Specify Cable Diameter

Cord Grip and Bushings for J Series Pendants	
Catalog No.	Cord Grip Cable Diameter (Inches)
RPC-CG4	.625 - .750
RPC-CG5	.750 - .875
RPC-CG6	.875 - 1.000
RPC-CG7	1.000 - 1.125
RPC-CG8	1.125 - 1.250

Pictures are for illustration purposes and may not represent actual product. Duct-O-Wire® recommends installation of an Emergency Stop on all Pendants.



RPB Series Pendant Station - Rubber Enclosures

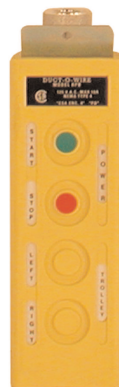
One-Speed and Two-Speed Control plus Accessories
With Standard Cord Grip



RP-4



RP-3



RP-2



RP-1

Dimensions and Weights

Enclosure Size	Dimension-Inches			Weight Lbs.	Accommodates Cable Diameter (Inches*)
	Width	Depth	Length		
Two-Button	3	2-1/2	5-3/4	1-3/4	.437 - .740
Four-Button	3	2-1/2	9	2-3/4	.437 - .740
Six-Button	3	2-1/2	12-3/8	3-1/2	.437 - .740
Eight-Button	3	2-5/8	15-3/4	4-1/4	.640 - .875

* Specify Cable Diameter when the Cable Used is not within the Range Listed.

RPB Series Pushbutton Pendant Stations feature steel reinforced rubber construction with a tongue and groove cover plate to protect buttons from many elements. The RPB Series support a number of applications with single and two speed operation, momentary and maintained switches, and a variety of accessory and replacement parts. Wire mesh grips for added strain relief are available.

- Nitrile Rubber Construction
- NEMA 1, 3, 4 and 12
- UL Listed and CSA Approved

Enclosures

Each complete enclosure includes a standard package of legend plates, cord grip and strain relief bracket.

RP-1	Two-Button
RP-2	Four-Button
RP-3	Six-Button
RP-4	Eight-Button

Front Covers Only (including Legend Plate Package)

RP-1F	Two-Button
RP-2F	Four-Button
RP-3F	Six-Button
RP-4F	Eight-Button

Pictures are for illustration purposes and may not represent actual product.
Duct-O-Wire® recommends installation of an Emergency Stop on all Pendants.



RPS Series Pendant Station - Rubber Enclosures

One-Speed through Five-Speed Control plus Accessories
With Standard Cord Grip



RPS-3

Eight Button - Three Motion plus Accessory Area

Each enclosure includes a standard package of legend plates, cord grip, neoprene boots and provision for a strain relief bracket. The top accessory area will accept any two-button insert or any two accessories.

- Nitrile Rubber Construction
- NEMA 1, 3 and 12
- CSA Approved

Dimensions and Weights					
Enclosure Catalog Number	Dimensions - Inches			Weight Lbs.	Accommodates Cable Diameter (Inches)
	Width	Depth	Length		
RPS-3	4	2-1/2	20	7-3/4	.688 - 1.250

PSW Series Station - Aluminum Enclosure

One-Speed through Five-Speed Control
With Standard Cord Grip

- Cast Aluminum Construction
- Not NEMA Rated



PSW-1



PSW-2



PSW-3

Eight Button - Three Motion plus Accessory Area

Each enclosure includes a cord grip, neoprene boots and provision for a strain relief bracket. Consult factory for accessory area switch options.

Specify legend markings at time of order to be stamped on enclosure.

Dimensions and Weights					
Enclosure Catalog Number	Dimensions - Inches			Weight Lbs.	Accommodates Cable Diameter (Inches)
	Width	Depth	Length		
PSW-1	2.725	2-1/8	7	2	.688 - 1.250
PSW-2	2.725	2-1/8	13-1/4	3-1/4	.688 - 1.250
PSW-3	3.000	2-1/8	17-1/2	4-1/4	.688 - 1.250

Pictures are for illustration purposes and may not represent actual product.
Duct-O-Wire® recommends installation of an Emergency Stop on all Pendants.



Square D® Pendant Stations

Cord Grip Sold Separately



9001SKYP4



9001SKYP6



9001SKYP8



9001SKYP10

Square-D® 9001SKYP Series

- High Impact Polycarbonate Construction
- NEMA 1, 3, 4, 4X and 13
- Uses 1, 2, 3 and 5 Speed Inserts
- Operating Range -13 to + 140 degrees F
- UL Listed and CSA Approved
- Comes with Hanger Bracket installed
- Complete Line of Accessory Switches

SKYP Series Dimensions and Weights					
Enclosure	Dimension - Inches			Weight Lbs.	Cord Grip (NPT) *
	Width	Depth	Length		
9001SKYP4	4	4	13-1/2	2-1/2	3/4"
9001SKYP6	4	4	18	3	1"
9001SKYP8	4	4	22	3-1/2	1-1/4"
9001SKYP10	4	4	27	4-1/2	1-1/4"

* Cord Grip and Bushing Sold Separately

Pictures are for illustration purposes and may not represent actual product.
Duct-O-Wire® recommends installation of an Emergency Stop on all Pendants.

Motion and Accessory Switch Guide

**NEMA Ratings are for switches when properly installed in their respective pendants.



SINGLE SPEED INSERTS

Ref	Catalog No.	Description - Contacts	J	L	RPB	PSW RPS	Sq D SKYP	**NEMA RATING
A	SP-1	One Speed-2 N.O.		X ²				4X
A	SP-1-S	One Speed-2 N.O. 2 N.C.		X ²				4X
B	RB-1	One Speed-2 N.O. 2 N.C.			X ¹			4
C	PB-1A	One Speed-2 N.O.	X			X		12
C	PB-1B	One Speed-2 N.O.	X ²			X ²		12
D	9001SKRU1	One Speed-2 N.O.					X	4X
			X ¹	= Requires 2 each per motion				
			X ²	= Mechanical Interlocking				

TWO SPEED INSERTS

Ref	Catalog No.	Description - Contacts	J	L	RPB	PSW RPS	Sq D SKYP	**NEMA RATING
A	SP-2	Two Speed-4 N.O.		X ²				4X
A	SP-2-S	Two Speed-4 N.O. 4 N.C.		X ²				4X
B	RB-2A	Two Speed-2 N.O.				X		4
D	9001SKRU2	Two Speed-4 N.O.					X	4X
			X ¹	= Requires 2 each per motion				
			X ²	= Mechanical Interlocking				

*For Normal 2 Speed Switch Insert use PB-3A and PB-3B and Wire for Two Speed Operation.

THREE AND FIVE SPEED INSERTS

Ref	Catalog No.	Description - Contacts	J	L	RPB	PSW RPS	Sq D SKYP	**NEMA RATING
A	SP-3	Three Speed-6 N.O. 2 N.C.		X ²				4X
C	PB-3A	Three Speed-6 N.O.	X			X		12
C	PB-3B	Three Speed-6 N.O.	X ²			X ²		12
C	PB-5A	Five Speed-10 N.O.	X			X		12
C	PB-5B	Five Speed-10 N.O.	X ²			X ²		12
D	9001SKRU3	Three Speed-6 N.O.					X	4X
D	9001SKRU5	Five Speed-10 N.O.					X	4X
			X ²	= Mechanical Interlocking				

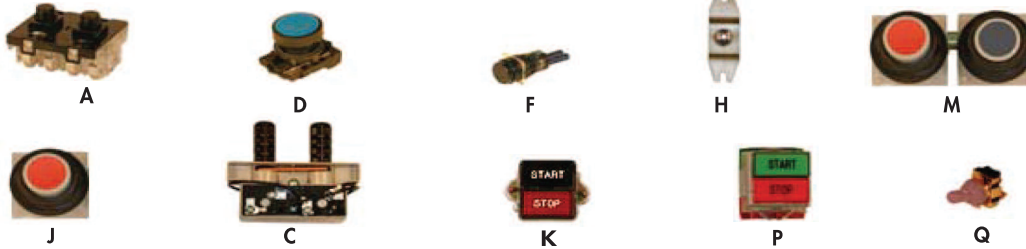
Locate Pendant Series and select the available Accessory or Motion Insert(s) available

Pictures are for illustration purposes and may not represent actual product.

All Push Button Pendant Stations are Intended and Approved for 120 VAC Operation - Not Suitable for DC Circuits.

Motion and Accessory Switch Guide

**NEMA Ratings are for switches when properly installed in their respective pendants.



MOMENTARY START / STOP INSERTS AND SWITCHES

Ref	Catalog No.	Description-Contacts	J	L	RPB	PSW RPS	Sq D SKYP	**NEMA RATING	
A	SP-A	Two Button-1 N.O. 1 N.C.		X				4X	
D	LS-MS	One Button-1 N.O.	X	X		X	X ³	4X	
D	LS-MS-LED-x	One Button-1 N.O. "x" = color	X	X		X	X ³	4X	
F	LS-H	One Button-1 N.O.	X ³	X ³		X ³	X ³	12	
H	K-1A	One Button-1 N.O.			X			4	
J	PB-1-S	One Button-1 N.O. 1 N.C.	X			X	X	4X	
C	PB-ST	Two Button-1 N.O. 1 N.C.	X			X		12	
K	PB-STA	Two Button-1 N.O. 1 N.C. (1 hole)	X ³			X ³	X ³	12	
P	PB-STB	Two Button-1 N.O. 1 N.C. (1 hole)	X ³			X ³	X ³	4X	
Q	RPS-MS	One Button-1 N.O.	X ³			X ³	X ³	1	
			X ³	= Accessory area only					

MAINTAINED START / STOP INSERTS AND SWITCHES

Ref	Catalog No.	Description-Contacts	J	L	RPB	PSW RPS	Sq D SKYP	**NEMA RATING	
A	SP-M	Two Button-1 N.O. 1 N.C.		X				4X	
D	LS-6A	One Button-1 N.O.	X ³	X		X ³	X ³	4X	
F	LS-6A1	One Button-1 N.O.	X ³	X ³		X ³	X ³	12	
H	RPB-6A1	One Button-1 N.O. "x" = color			X			4	
M	PB-STM	One Button-1 N.O.	X ³			X ³	X	4X	
M	PB-STM-2	One Button-1 N.O.	X ³			X ³	X	4X	
K	PB-STMA	One Button-1 N.O. 1 N.C.	X ³			X ³	X ³	12	
P	PB-STMB	Two Button-1 N.O. 1 N.C.	X ³			X ³	X ³	4X	
			X ³	= Accessory area only					



EMERGENCY STOPS

Ref	Catalog No.	Description-Contacts	J	L	RPB	PSW RPS	Sq D SKYP	**NEMA RATING	
T	LS-STMM	E-Stop-1 N.C.	X ³	X ⁴		X ³	X ³	4X	
T	LS-STMM-A	E-Stop-1 N.C. 1 N.O.*	X ³	X ⁴		X ³	X ³	4X	
W	PB-STMM	E-Stop-1 N.C.	X			X	X	12	
			X ³	= Accessory area only					
			X ⁴	= Requires Deep Back Enclosure					

*With Built-in Momentary Start / Stop

Locate Pendant Series and select the available Accessory or Motion Insert(s) available

Pictures are for illustration purposes and may not represent actual product.

All Push Button Pendant Stations are Intended and Approved for 120 VAC Operation - Not Suitable for DC Circuits.

Motion and Accessory Switch Guide

***NEMA Ratings are for switches when properly installed in their respective pendants.



Y

SELECTOR SWITCHES



Z

Ref	Catalog No.	Description - Contacts	J	L	RPB	PSW RPS	Sq D SKYP	***NEMA RATING
Y	LS-11	Two Way (A-B) - 1 N.O. 1 N.C.	X ³	X ⁴		X ³	X ³	4X
Y	LS-12	Three Way (A-AB-B) - 2 N.C.	X ³	X ⁴		X ³	X ³	4X
Y	LS-13	Three Way - 2 N.O.*	X ³	X ⁴		X ³	X ³	4X
Y	LS-16	Three Way (A-Off-B) - 2 N.O.	X ³	X ⁴		X ³	X ³	4X
Y	LS-18	Three Way - 2 N.O.**	X ³	X ⁴		X ³	X ³	4X
Z	RPS-10	Three Way (A-B-AB) - 1 N.O. 1 N.C.	X			X	X	4X
Z	RPS-11	Two Way (A-B) - 1 N.O. 1 N.C.	X			X	X	4X
Z	RPS-12	Three Way (A-AB-B) - 2 N.O.	X			X	X	4X
Z	RPS-13	Three Way - 2 N.O. 2 N.C.*	X			X	X	4X
Z	RPS-14	Four Way (A-B-C-D) - 2 N.O. 2 N.C.	X			X	X	4X
Z	RPS-15	Three Way (Off-A-AB) - 2 N.O. 2 N.C.	X			X	X	4X
Z	RPS-16	Three Way (A-Off-B) - 2 N.O. 2 N.C.	X			X	X	4X
Z	RPS-17	Two Way (On-Off) - 2 N.O.	X			X	X	4X
Z	RPS-18	Three Way - 2 N.O. 2 N.C.**	X			X	X	4X
Z	RPS-19	Three Way (A-B-C)	X			X	X	4X
			X ³	=	Accessory area only			
			X ⁴	=	Requires Deep Back Enclosure			

* - Spring Return to Center

** - Spring Return from Right



F



A2



B2



C2



U



D



S

MISCELLANEOUS SWITCHES AND PILOT LIGHTS

Ref	Catalog No.	Description - Contacts	J	L	RPB	PSW RPS	Sq D SKYP	***NEMA RATING
F	LS-H	Horn - 1 N.O.	X ³	X ³		X ³	X ³	12
A2	LS-6	Toggle - 1 N.O.	X	X ⁴		X	X ³	4X
B2	LS-7	Key Switch - 1 N.O. Maintained Key Removable Both Positions	X	X ⁴		X	X ³	4X
B2	LS-7A	Key Switch - 1 N.O. Maintained Key Removable Left (OFF) Only	X	X ⁴		X	X ³	4X
B2	LS-7-11	Key Switch - 1 N.O. Momentary Key Removable Left (OFF) Only	X	X ⁴		X	X ³	4X
C2	RPS-7X	Key Switch - 1 N.O. 1 N.C. Maintained Key Removable Left (OFF) Only	X			X ³	X	4/13
U	LS-PL-x	Small L.E.D. Pilot "x" = color *	X ³	X ³		X ³	X ³	1
D	LS-LED-x	L.E.D. Pilot "x" = color *	X	X ⁴		X ³	X ³	4X
S	RPS-6	Toggle - 1 N.O.						1
			X ³	=	Accessory area only			
			X ⁴	=	Requires Deep Back Enclosure			

*Specify Amber, Blue, Green, Red or White.

Locate Pendant Series and select the available Accessory or Motion Insert(s) available

Pictures are for illustration purposes and may not represent actual product.

All Push Button Pendant Stations are Intended and Approved for 120 VAC Operation - Not Suitable for DC Circuits.

Replacement Boots and Accessories

L Series



- SP-B** Black Neoprene Switch Button Boot
- SP-B-G** Green Neoprene Switch Button Boot
- SP-B-R** Red Neoprene Switch Button Boot



- PPS-BC** Legend Plate Set for Switch Button Boot
- PPS-PC** Clear Plastic Lens for SP-B



- LS BLANK** Hole Blank for L, RPS, and J Enclosures
- HOOK** Strain Relief Hook with Hardware
- LS TOOL** Installation Tool for L Series and PPS Accessories
- L-MSCG** Multi-Step cord grip for L Station (Grip Only)



- L-CG1** Water-Tight Cord Grip (Cable Dia. = .433" - .827")
- L-CG2** Water-Tight Cord Grip (Cable Dia. = .699" - .984")
- L-CG3** Strain Relief with Cable Clamps and Hook

J, RPS and PSW Series



- PBW-3** Black neoprene switch boot
- PBW-3R** Red neoprene switch boot



- RPS-MG** Wire mesh strain relief only - .650" to .750"
- RPS-MG-C** Complete wire mesh cord grip - 1-1/4 NPT



- LS BLANK** Hole Blank for L, RPS, and J Enclosures

Operator's Card



Operator Instruction Tag fits on the cable above the Pendant Station. Complies with ANSI and OSHA Requirements for hoist and crane operators.

Order part number "Warning Label".

Printed in Spanish on reverse side.

The code numbering for the conductors in a round cable all follow NEMA standards. The Green wire is always a ground and should never be used for any switching function. The numbers shown on the chart are arranged so that the various cable sizes always start with the Green and end with the last number in the cable. For example, the RPC-414 (Note 4 is quantity, 14 is the wire gauge) uses the Green, Black, Red and Blue. The RPC-816 uses the Green and numbers 1 thru 7. The rest of the cable sizes are listed along the color coding chart.

The exception to the color coding chart is the RPC-316-S2. This special round cable is primarily for two button stations that need either an internal strain cable or ground. In this cable you have both in the Green wire. It is constructed of a heavy steel braid which will serve for either or both purposes. The other three colors are blue, yellow and brown.

Pictures are for illustration purposes and may not represent actual product.

Additional Information

Legend Plate LP-17

A standard package of legend plates is furnished with each enclosure and complete station as shown below. Additional packages can be ordered by the catalog number listed.

Catalog Number LP-17 for RPB, L, RPS and all J Stations and Enclosures				
UP DOWN	EAST WEST	NORTH SOUTH	START STOP	FORWARD REVERSE
RIGHT LEFT	OPEN CLOSE	LIFT DROP	LOWER RAISE	ON-OFF PUSH ON-OFF
A-BOTH-B A-AB-B	ENGAGE DISENGAGE	A-B AUX	LIGHTS E-STOP	MAGNET INCHING
INTERLOCK HORN	A B BOTH POWER	HOIST TROLLEY	BRIDGE	SLOW FAST
FRONT REAR	(BLANK) (BLANK)	(BLANK) (BLANK)	(BLANK) (BLANK)	(BLANK)

RED AND GREEN DISC

Round Cable Conductor Color Coding

Green	18. Red with Blue Stripe
1. Black	19. Orange with Blue Stripe
2. Red	20. Yellow with Blue Stripe
3. Blue	21. Brown with Blue Stripe
4. Orange	22. Black with Orange Stripe
5. Yellow	23. Red with Orange Stripe
6. Brown	24. Blue with Orange Stripe
7. Red with Black Stripe	25. Yellow with Orange Stripe
8. Blue with Black Stripe	26. Brown with Orange Stripe
9. Orange with Black Stripe	27. Black with Yellow Stripe
10. Yellow with Black Stripe	28. Red with Yellow Stripe
11. Brown with Black Stripe	29. Blue with Yellow Stripe
12. Black with Red Stripe	30. Orange with Yellow Stripe
13. Blue with Red Stripe	31. Brown with Yellow Stripe
14. Orange with Red Stripe	32. Black with Brown Stripe
15. Yellow with Red Stripe	33. Red with Brown Stripe
16. Brown with Red Stripe	34. Blue with Brown Stripe
17. Black with Blue Stripe	35. Orange with Brown Stripe

Round Pendant Control Cables and Accessories

Round Pendant Control Cables (UL Listed and CSA Approved)
With 600V 105°C Yellow PVC. Color-coded in accord with NEMA standards.

Catalog Number	Description	Weight # / ft.
RPC-414	4-Conductor, #14 AWG, .460" Nominal O.D.	.14
RPC-816	8-Conductor, #16 AWG, .640" Nominal O.D.	.20
RPC-1216	12-Conductor, #16 AWG, .745" Nominal O.D.	.30
RPC-1616	16-Conductor, #16 AWG, .840" Nominal O.D.	.38
RPC-2416	24-Conductor, #16 AWG, .890" Nominal O.D.	.49
RPC-3616	36-Conductor, #16 AWG, 1.050" Nominal O.D.	.68
RPC-316-S2	3-Conductor, #16 AWG with Internal Steel Strain Relief Cable, .520" Nominal O.D.	.13

Steel Strain Relief Cable and Accessories

RPC-SRC	Nylon-Coated Steel Cable, 1/8" Diameter, 480 lb. Capacity
RPC-SRCC	U-Clamp for Strain Cable (4 required per cable)
RPC-SRCE	Eye-bolt to Connect Strain Cable to Junction Box
RPC-SRCT	Steel Thimble for Cable Bend
RPC-SR HDW KIT	4 RPC-SRCC, 1 RPC-SRCE & 1 RPC-SRCT.

Cords Grips for Round Cable

Catalog Number	Conduit Size NPS — Inches	Accommodates Cable Diameter — Inches
RPC-CG00	3/4	.430 - .563
RPC-CG0	3/4	.560 - .687
RPC-CG1	1	.560 - .687
RPC-CG2	1	.625 - .750
RPC-CG3	1	.750 - .825
RPC-CG4	1-1/4	.625 - .750
RPC-CG5	1-1/4	.750 - .875
RPC-CG6	1-1/4	.875 - 1.000
RPC-CG7	1-1/4	1.000 - 1.125
RPC-CG8	1-1/4	1.125 - 1.250

Contact the Duct-O-Wire Factory for:

- Shielded RFI Round Cables
- Round Cables with built-in strain relief

CT Series Quick-Plug™ In-Line Pendant Disconnect



CT-8 PNR	8 Conductor Round Cable In-Line Quick Disconnect
CT-16 PNR	12 and 16 Conductor Round Cable In-Line Quick Disconnect
CT-24 PNR	24 Conductor Round Cable In-Line Quick Disconnect

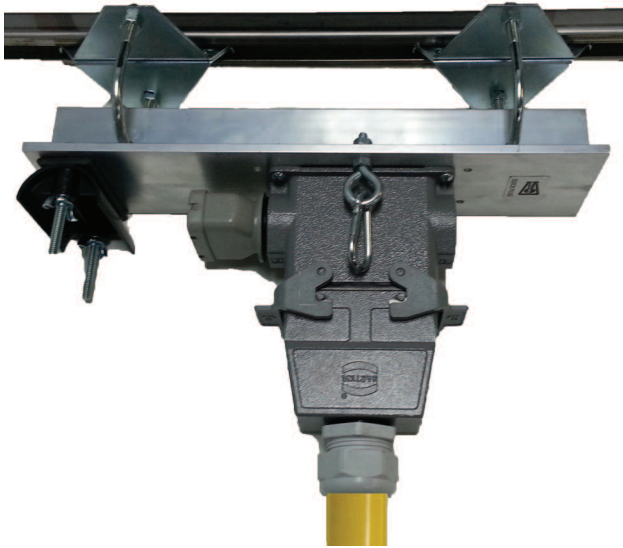
All CT Series In-Line Pendant Disconnects come with Strain Relief Hardware, Cord Grips and Dust Cover.

*Reference Catalog CT-2013 For Detailed Quick-Plug Parts and Specifications.

Pictures are for illustration purposes and may not represent actual product.

Quick Disconnect Cables and Cable Accessories

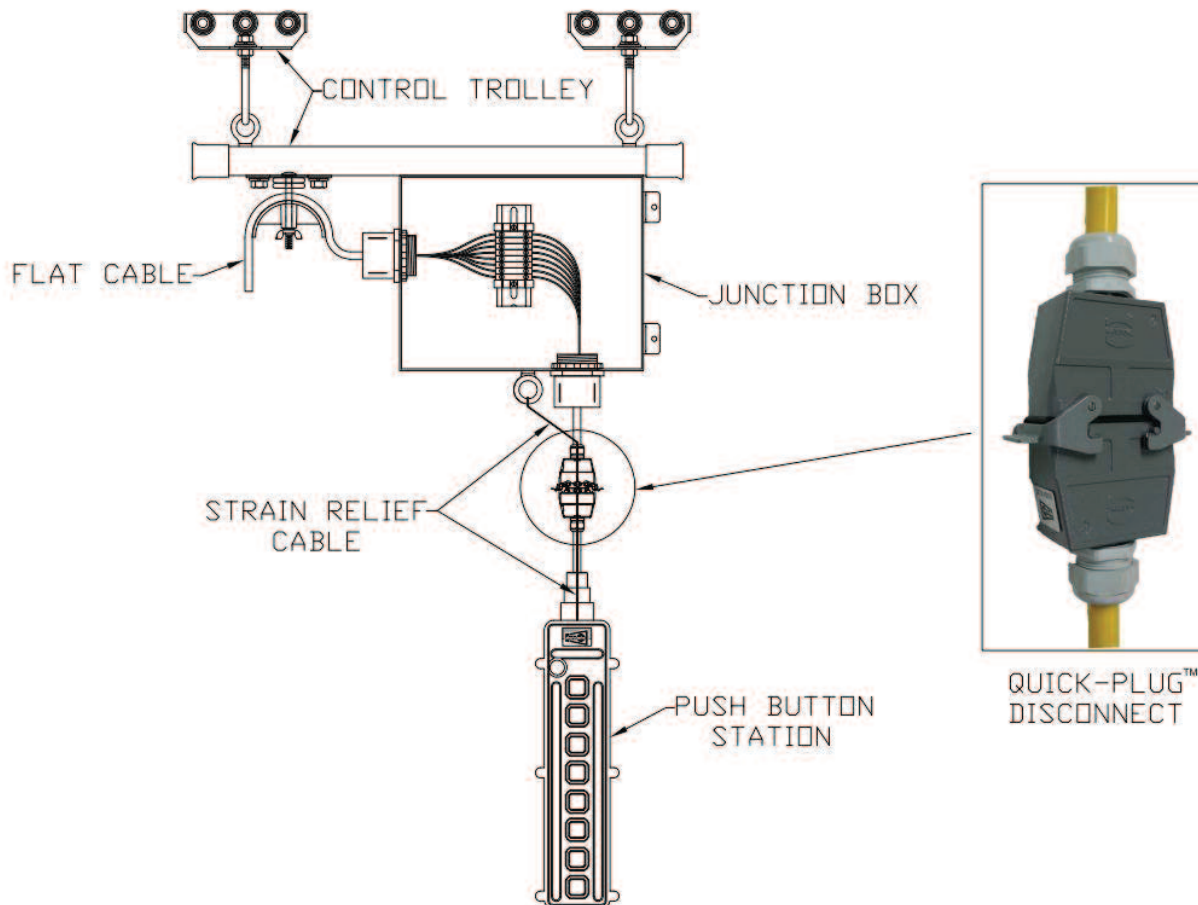
Complete Control Trolley with Pendant Station Quick-Plug™



Complete Solutions for Heavy Duty Control Trolley Applications

- Rugged Metal Trolleys for Smooth Operation
- Cost Savings Over Conventional Plug & Receptacle
- Strain Relief Quick Disconnect Links Included
- Extra Hoods and Connectors Available for Spares
- Aluma-Track and I-Beam Applications.
- Wear Point Bushings for Long Life
- Plug and Receptacle Components UL/CSA Rated
- Pre-wire Available for Pendant and Quick Plug
- Plug & Receptacle Components Available, Separately

Junction Box Control Trolley with In-Line Quick-Plug™



Pictures are for illustration purposes and may not represent actual product.



Electrification Systems Since 1955

U.S.A.

345 Adams Circle
Corona, California 92882
951-735-8220
fax: 951-735-2372
e-mail: sales@ductowire.com

CANADA

1445 Norjohn Ct., Unit 10
Burlington, ON Canada L7L 0E6
905-331-2612 ■ 800-361-9473
fax: 905-331-6639 ■ 800-663-0933
e-mail: dow@ductowire.ca

U.S.A.

1351 W. Second Street
Oconomowoc, Wisconsin 53066
262-567-2288 ■ 800-434-0062
fax: 262-567-0857
e-mail: sales@ductowire.com

MEXICO

Hancar Industrial, S.A. de C.V.
Península 3220 C.P. 44580
Guadalajara, Jal. México
011 (33) 31333444 ■ 011-800-849-4782
fax: 011 (33) 31333888
e-mail: hancar@mail.udg.mx