

VersaReel™

Commercial Duty Cable Reel



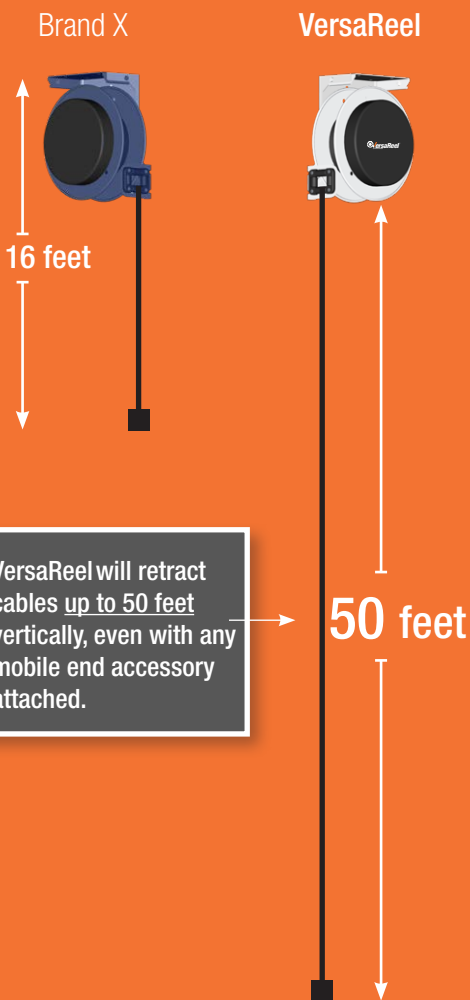
CONDUCTIX
wampfler

What is VersaReel™

The **VersaReel**, by Conductix-Wampfler, is an economical, reliable, and versatile cable reel that can provide remote power for many commercial applications; such as warehouses, maintenance shops, and other similar locations.

VersaReel's benefits far surpass other reels in its class, making it the #1 choice for efficient and effective cable management.

The REEL Difference



Quick-Change Cable Guide

Repositions fast to direct cable where needed.



Separate Mounting Base Plate

Easiest installation on the market; quick and safe. By purchasing multiple base plates, users can easily relocate the reel as needed.



Every VersaReel™ Offers These Great Benefits

VersaReel is the Ideal Cable Management Solution to:

Increase Safety – Prevent tripping, electrical shocks, and burns.

Improve Cleanliness – Unclutter the work environment by managing cable and storing it out of the way.

Increase Productivity – Pay out / retract cable quickly as needed.

Extend Cable Life – Prevent damage and reduce cable wear.

Reduce Down Time – Reduce the need to replace cable and lower the total cost of ownership.

Robust Four-Roller Cable Guide

Allows smooth cable payout and minimizes cable stress.



Quick-Ship Reels

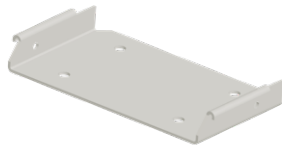
The reel configurations below typically ship in one to two business days from order placement.

Wire Length	Wire Gauge (AWG)	GFCI	Mobile End Accessory	Amperage	Part Number
25	12	No	Flying Lead	20	XA-VR25-123N-F20
25	12	No	Single Outlet	20	XA-VR25-123N-S20
25	12	Yes	Single Outlet	20	XA-VR25-123G-S20
25	12	No	Quad Receptacle Box	20	XA-VR25-123N-R20
25	12	Yes	Quad Receptacle Box	20	XA-VR25-123G-R20
50	12	No	Flying Lead	20	XA-VR50-123N-F20
50	12	No	Single Outlet	20	XA-VR50-123N-S20
50	12	Yes	Single Outlet	20	XA-VR50-123G-S20
50	12	No	Quad Receptacle Box	20	XA-VR50-123N-R20
50	12	Yes	Quad Receptacle Box	20	XA-VR50-123G-R20
50	12	No	Triple Tap Outlet	15	XA-VR50-123N-T15

* Mobile End Accessories

Flying Lead	15 amp Single Outlet	20 amp Single Outlet	15 amp Locking Outlet	20 amp Locking Outlet	Quad Receptacle Box	Triple Tap
						

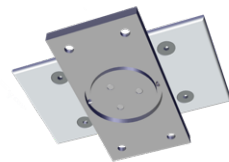
Part No. 573508



One quick install/quick change mounting base plate is included with each reel.

Additional base plates are sold separately and can be mounted in multiple locations to allow users to easily relocate the reel if desired.

Part No. XA-583669

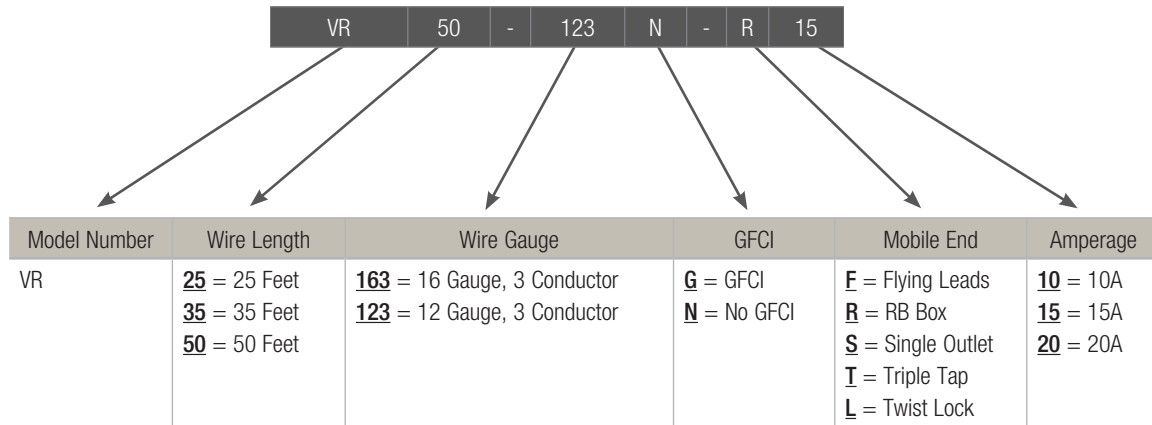


In-line 20 Amp GFCI Module

The optional In-line 20 Amp GFCI module is available for all mobile end accessories, making VersaReel the only reel with 3 or 4 GFI grounded outlets.

Smart Number System

Not seeing what you need on the Quick-Ship table? Our Smart Numbering System will allow you to configure your own VersaReel.



Example: VR50-123N-R15 = 50 foot VersaReel™ with 12 gauge, three-conductor cable, no GFCI, RB Box with 15A outlets

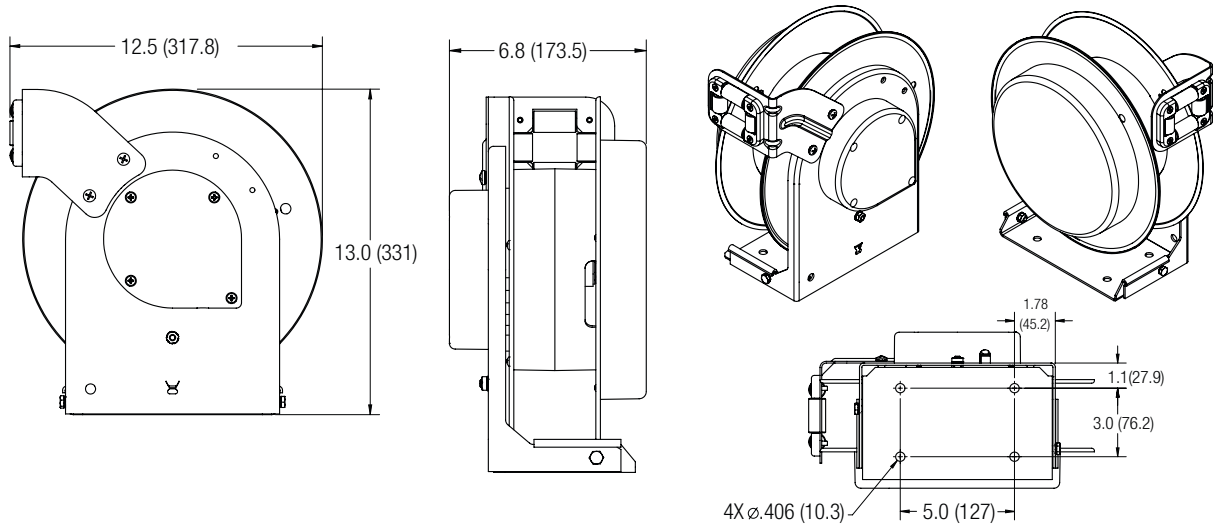
Technical Specifications

- 20 amp, 125 volt slip ring
- Six foot feeder cord
- Adjustable ball stop
- Ceiling, wall, or bench mounting
- Rated for indoor use
- Reinforced steel frame
- Black molded nylon construction
- Robust, long life spring
- **2 Year Warranty**

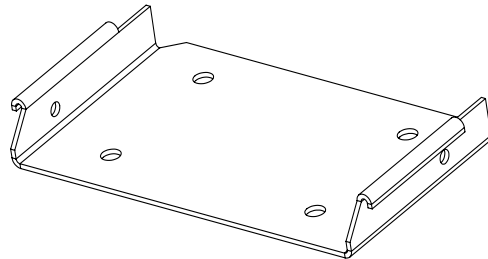
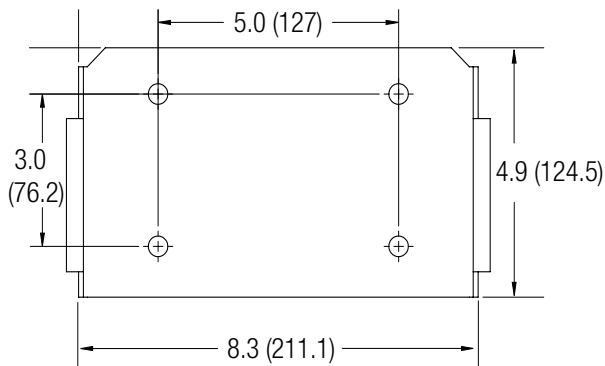


Cable Gauge (AWG)	No. of Cond	Cable Type	Current Rating (Amps)
16	3	S00W(90°C)	10
12 (with Triple Tap)	3	SJ00W(90°C)	15
12	3	SJ00W(105°C)	20

Drawings



Base Plate Dimensions



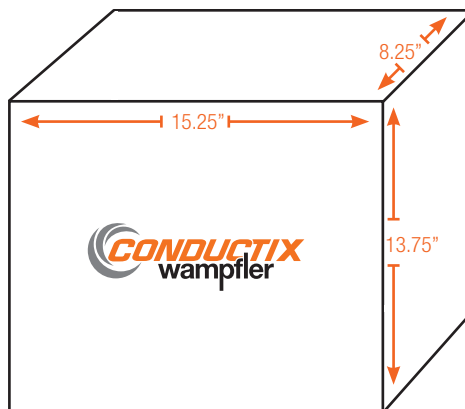
Shipping Dimensions

Shipping Dimensions:

15.25 x 13.75 x 8.25

Shipping Weight:

30 lb



Other Products from Conductix-Wampfler

The VersaReel is just one of the products we offer for the transfer of energy, data, gases, and fluids. We offer solutions for your applications based on your specific requirements. In many cases, a combination of several different Conductix-Wampfler products are needed to fill the application. You can count on all of Conductix-Wampfler's business units for hands-on engineering support coupled with the perfect solution to meet your energy management and machine control needs.



Spring Driven Cable Reels

Conductix-Wampfler has over 60 years' experience offering trusted brands such as Insul-8, Wampfler, and Industrial Electric Reels (IER). We offer small cord reels all the way to large multi-motor units for steel mills and hazardous locations, with a wide range of accessories.



Air Hoists and Balancers

ENDO Air hoists accurately place delicate loads and continuously vary the speed for precise positioning. They run cool in continuous operations.



Push Button Pendants

Our ergonomic pendants are ideally suited for industrial control applications. They are available in a wide range of configurations for overhead cranes and other machinery.



Radio Remote Controls

Safe, secure, and reliable radios use the latest in microprocessor technology. Available in several models for overhead crane control and other types of machinery.



Cable Festoon Systems

It's hard to imagine Conductix-Wampfler cable trolleys not being used in virtually every industrial application. They are reliable and robust and available in an enormous variety of sizes and models.

www.conductix.us

USA / LATIN AMERICA

10102 F Street
Omaha, NE 68127

Customer Support
Phone +1-800-521-4888

Phone +1-402-339-9300
Fax +1-402-339-9627

info.us@conductix.com
latinamerica@conductix.com

CANADA

1435 Norjohn Court
Unit 5
Burlington, ON L7L 0E6

Customer Support
Phone +1-800-667-2487

Phone +1-450-565-9900
Fax +1-450-951-8591

info.ca@conductix.com

MÉXICO

Calle Treviño 983-C
Zona Centro
Apodaca, NL México 66600

Customer Support
Phone (+52 81) 1090 9519
(+52 81) 1090 9025
(+52 81) 1090 9013

Fax (+52 81) 1090 9014

info.mx@conductix.com

BRAZIL

Rua Luiz Pionti, 110
Vila Progresso
Itu, São Paulo, Brasil
CEP: 13313-534

Customer Support
Phone (+55 11) 4813 7330

Fax (+55 11) 4813 7357

info.br@conductix.com

Contact us for our Global Sales Offices

