

Cyclone Army type trolley hoist

Same quality and performance as the Cyclone in a compact, low headroom integral trolley mount. Ideal for applications requiring a moveable hoist including:

- Rugged steel loadbars connected directly to hoist frame
- Reduced headroom, side clearances and end approach for easy maneuvering of heavy loads in tight places
- Standard Load Limiter automatic overload protection
- Plain and geared trolley mounts in capacities from 1/4 to 12 tons
- Universal tread trolley wheels for operation on sloped or flat flanged beams
- Standard hand chain drop 2 feet less than lift (example: 8 foot lift hoist has 6 foot hand chain drop)
- Chain containers, zinc-plated load and hand chain, aluminum unwelded hand chain, Latchlok hooks, bronze hooks, bullard hooks, larger beam trolleys, trolley guards, and units without Load Limiter optional, depending on capacity
- Lifetime warranty
- Metric rated
- Made in U.S.A.



* ⚠ WARNING

Overloading and improper use can result in injury.

To avoid injury:

- Do not exceed working load limit, load rating capacity
- Do not use to lift people or loads over people.
- use only alloy chain for overhead lifting.
- Read and follow all instructions.

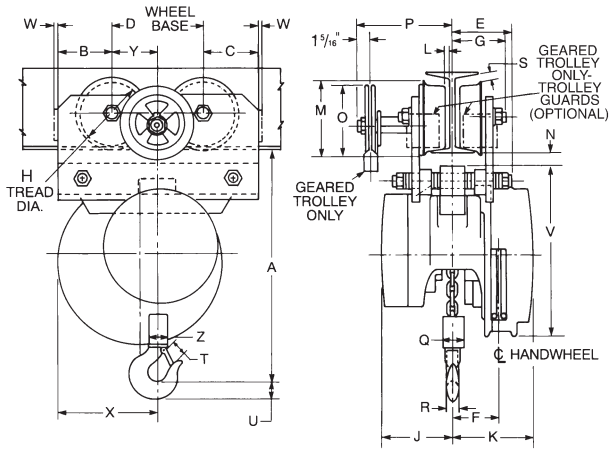
Specifications

Rated capacity* (tons)	Product code		Standard lift (ft.)	Reeving	American standard depth (in.)†	Beam adjustment ranges flange width (in.)†	Chain pull to lift capacity loads (lbs.)	Chain overhauled to lift load one foot (ft.)	Min. headroom (in.)	Min. radius curve (in.)	Shipping weight (lbs.)	
	Plain trolley	Geared trolley									Plain trolley	Geared trolley
1/4	4521	4541	10	1	4-12**	2 5/8-5 1/2	23	22 1/2	11 3/4	30	68	110
1/2	4522	4542	10	1	4-12**	2 5/8-5 1/2	46	22 1/2	11 3/4	30	68	110
1	4524	4544	10	1	4-12**	2 5/8-5 1/2	69	30	11 3/4	30	81	133
1 1/2	4525	4545	10	1	6-15	3 3/8-5 5/8	80	40 1/2	15 5/16	30	140	168
2	4526	4546	10	1	6-15	3 3/8-5 5/8	83	52	15 5/16	30	140	168
3	4527	4547	10	2	7-15	3 5/8-5 5/8	85	81	18 7/8	48	189	237
4	4528	4548	10	2	7-15	3 5/8-5 5/8	87	104	18 7/8	48	189	237
5	4529	4549	10	3	8-18	4-6 1/4	74	156	23 1/2	60	278	310
6	4530	4550	10	3	8-18	4-6 1/4	89	156	24	60	283	315
8	4531	4551	10	4	12-24	5-8	91	208	28 1/4	72	526	601
10	4532	4552	10	5	12-24	5-8	93	260	28 1/4	72	535	611
12	4533	4553	10	6	15-24	5 1/2-8	95	312	30 3/8	96	1068	1098

** For 1/4 through 1 ton geared trolleys - minimum beam size S6 x 12.5 (3 3/8 flange width)

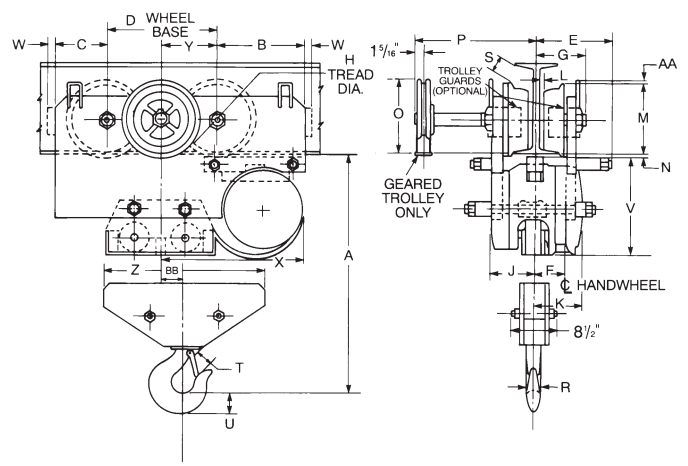
† Universal tread track wheels designed to operate on either sloped or flat flange beam, rails or tracks

Cyclone Army type trolley hoist-Specifications



1/4-6 TON

1/4 - 6 ton



8 - 12 ton

Clearance dimensions (in.)

Dimension	Rated capacity* (tons)															
	1/4, 1/2 & 1		1 1/2 & 2		3 & 4		5		6		8		10		12	
	Plain	Geared	Plain	Geared	Plain	Geared	Plain	Geared	Plain	Geared	Plain	Geared	Plain	Geared	Plain	Geared
A	11 3/4	11 13/16	15 5/16	15 5/16	18 7/8	18 7/8	23 1/2	23 1/2	24	24	28 1/4	28 1/4	28 1/4	28 1/4	30 3/8	30 3/8
B	4 3/16	4 3/8	3 1/16	3 1/16	5 3/4	5 3/4	6 1/2	6 1/2	6 1/2	6 1/2	8 15/16	8 15/16	8 15/16	8 15/16	10 7/8	10 7/8
C	2 9/16	2 9/16	3 1/16	3 1/16	3 7/16	3 7/16	3 3/4	3 3/4	3 3/4	3 3/4	5 1/4	5 1/4	5 1/4	5 1/4	7 3/16	7 3/16
D	6	6	6	6	6 7/8	6 7/8	7 3/4	7 3/4	7 3/4	7 3/4	11	11	11	11	11	11
E	4 1/2	4 15/16	5	5	5 7/16	5 7/16	6 1/8	6 1/8	6 1/8	6 1/8	7 1/4	7 1/4	7 1/4	7 1/4	7 1/4	7 1/4
F	2 1/16	2 1/16	3 1/8	3 1/8	3	3	2 13/16	2 13/16	2 13/16	2 13/16	3	3	3	3	3	3
G	3	3 3/4	3 5/8	3 3/4	4 5/16	4 5/16	4 15/16	4 15/16	4 15/16	4 15/16	5 9/16	5 9/16	5 9/16	5 9/16	5 13/16	5 13/16
H	3 1/8	4	4 3/4	4	5	5	6	6	6	6	8	8	8	8	8	8
J	3 1/4	3 1/4	4 13/16	4 13/16	4 13/16	4 13/16	5	5	5	5	4 13/16	4 13/16	4 13/16	4 13/16	4 13/16	4 13/16
K	4 1/8	4 1/8	5 1/16	5 1/16	5 1/16	5 1/16	4 7/8	4 7/8	4 7/8	4 7/8	5 1/16	5 1/16	5 1/16	5 1/16	5 1/16	5 1/16
L	5/16	5/16	1/2	5/16	1/4	1/4	3/8	3/8	3/8	3/8	1/2	1/2	1/2	1/2	1 1/16	1 1/16
M	4	4 3/4	5 9/16	4 3/4	5 7/8	5 7/8	7	7	7	7	9 7/16	9 7/16	9 7/16	9 7/16	9 1/2	9 1/2
N	1/2	9/16	9/16	9/16	1 1/16	1 1/16	1 1/16	1 1/16	1 1/16	1 1/16	1 1/2	1 1/2	1 1/2	1 1/2	7/16	7/16
O	-	5 9/16	-	5 9/16	6 1/8	6 1/8	6 3/4	6 3/4	6 3/4	6 3/4	7 9/16	7 9/16	7 9/16	7 9/16	7 3/16	7 3/16
P	-	10	-	10	8 15/16	8 15/16	10 7/16	10 7/16	10 7/16	10 7/16	11 7/16	11 7/16	11 7/16	11 7/16	11 11/16	11 11/16
Q	2	2	2 1/2	2 1/2	3 7/8	3 7/8	4	4	4	4	11 15/16	11 15/16	-	-	-	-
R	1 1/16	1 1/16	1 1/8	1 1/8	1 1/4	1 1/4	1 1/4	1 1/4	1 3/8	1 3/8	1 13/16	1 13/16	1 13/16	1 13/16	2 3/8	2 3/8
S	1/16	15/16	3/16	15/16	15/16	15/16	3/4	3/4	3/4	3/4	2 3/16	2 3/16	2 3/16	2 3/16	5 1/16	5 1/16
T	1	1	1 3/8	1 3/8	1 5/8	1 5/8	1 5/8	1 5/8	1 3/4	1 3/4	2 5/16	2 5/16	2 5/16	2 5/16	3	3
U	7/8	7/8	1 1/8	1 1/8	1 1/16	1 1/16	1 1/16	1 1/16	1 7/8	1 7/8	2 9/16	2 9/16	2 9/16	2 9/16	3	3
V	10 1/8	10 1/8	11 3/8	11 3/8	11 3/8	11 3/8	11 3/8	1 3/8	11 3/8	11 3/8	11 5/8	11 5/8	11 5/8	11 5/8	11 5/8	11 5/8
W	1/4	3/8	3/8	3/8	1/2	1/2	5/8	5/8	5/8	5/8	5/8	5/8	5/8	5/8	5/8	5/8
X	7 3/16	7 3/16	6 11/16	6 11/16	8 15/16	8 15/16	10 5/16	10 5/16	10 5/16	10 5/16	14 7/16	14 7/16	14 7/16	14 7/16	16 3/8	16 3/8
Y	3	3	3	3	3 7/16	3 7/16	3 7/8	3 7/8	3 7/8	3 7/8	5 1/2	5 1/2	5 1/2	5 1/2	5 1/2	5 1/2
Z	2	2	2 1/2	2 1/2	4 1/2	4 1/2	6 1/4	6 1/4	6 1/4	6 1/4	13 15/16	13 15/16	18 3/16	18 3/16	21 11/16	21 11/16
AA	-	-	-	-	-	-	-	-	-	-	3/8	3/8	3/8	3/8	3/8	3/8
BB	-	-	-	-	-	-	-	-	-	-	1 15/16	1 15/16	0	0	0	0

Note: Dimensions are based on minimum beam and may vary with larger beams.

Cyclone Fabric Chain Bags



Cyclone, Army type and low headroom trolley hoist optional fabric chain bags

Product code		Rated capacity* (tons)	Maximum length of lift (ft.)	Bag diameter (in.)	Bag length (in.)	Approx. weight (lbs.)
Cyclone and Army type	Low headroom trolley hoist					
2482	2493	1/4-1/2	18	7	7 1/2 x 7 1/2	3
2483	2488	1/4-1/2	18.1-36	10	7 1/2 x 7 1/2	3
2484	2495	1/4-1/2	36.1-54	13	7 1/2 x 7 1/2	3
2485	2496	1/4-1/2	54.1-78	16	7 1/2 x 7 1/2	4
2486	2497	1/4-1/2	78.1-93	18	7 1/2 x 7 1/2	4
2487	2498	1/4-1/2	93.1-129	20	7 1/2 x 7 1/2	4
2482	2493	1	11	7	7 1/2 x 7 1/2	3
2483	2494	1	11.1-24	10	7 1/2 x 7 1/2	3
2484	2495	1	24.1-37	13	7 1/2 x 7 1/2	3
2485	2496	1	37.1-55	16	7 1/2 x 7 1/2	4
2486	2497	1	55.1-66	18	7 1/2 x 7 1/2	4
2487	2498	1	66.1-92	20	7 1/2 x 7 1/2	4
2488	2488	1 1/2-2	13	10	7 1/2 x 7 1/2	3
2489	2489	1 1/2-2	13.1-20	13	7 1/2 x 7 1/2	3
2490	2490	1 1/2-2	20.1-29	16	7 1/2 x 7 1/2	4
2491	2491	1 1/2-2	29.1-35	18	7 1/2 x 7 1/2	4
2492	2492	1 1/2-2	35.1-49	20	7 1/2 x 7 1/2	4
2489	2489	3-4	10	13	7 1/2 x 7 1/2	3
2490	2490	3-4	10.1-15	16	7 1/2 x 7 1/2	4
2491	2491	3-4	15.1-18	18	7 1/2 x 7 1/2	4
2492	2492	3-4	18.1-25	20	7 1/2 x 7 1/2	4
2490	2490	5-6	10	16	7 1/2 x 7 1/2	4
2491	2491	5-6	10.2-12	18	7 1/2 x 7 1/2	4
2492	2492	5-6	12.1-17	20	7 1/2 x 7 1/2	4
2491	2491	8	8	18	7 1/2 x 7 1/2	4
2492	2492	8	8.1-12	20	7 1/2 x 7 1/2	4
2492	2492	10	10	20	7 1/2 x 7 1/2	4



Cyclone Chain Containers

Cyclone, Army type and low headroom trolley hoist optional metal chain containers

Product code		Rated capacity* (tons)	Maximum length of lift (ft.)	Bucket length (in.)	Bucket diameter (in.)	Approximate weight (lbs.)
Cyclone and Army type	Low headroom trolley hoist					
4603S-373S	4614S-329S	1/4-1/2	9	8	5	3
4603S-373S	4614S-330S	1/4-1/2	9.1-18	11	5	4
4603S-375S	4614S-331S	1/4-1/2	18.1-27	14	5	4
4603S-376S	4614S-332S	1/4-1/2	27.1-36	17	5	5
4603S-377S	4614S-333S	1/4-1/2	45	20	5	6
4603S-378S	4614S-334S	1/4-1/2	45.1-54	23	5	6
4603S-379S	4614S-335S	1/4-1/2	54.1-78	31	5	8
4603S-380S	4614S-336S	1/4-1/2	78.1-93	36	5	9
4603S-381S	4614S-337S	1/4-1/2	93.1-129	48	5	12
4063S-382S	4614S-339S	1	11	11	5	4
4603S-383S	4614S-340S	1	11.1-18	14	5	4
4603S-384S	4614S-341S	1	18.1-24	17	5	5
4603S-385S	4614S-342S	1	24.1-31	20	5	6
4603S-386S	4614S-343S	1	31.1-37	23	5	6
4603S-387S	4614S-344S	1	37.1-55	31	5	8
4603S-388S	4614S-345S	1	55.1-66	36	5	9
4603S-389S	4614S-346S	1	66.1-92	48	5	12
4603S-352S	4614S-352S	1 1/2-2	9	14	5	4
4603S-353S	4614S-353S	1 1/2-2	9.1-13	17	5	5
4603S-354S	4614S-354S	1 1/2-2	13.1-16	20	5	6
4603S-355S	4614S-355S	1 1/2-2	16.1-20	23	5	6
4603S-356S	4614S-356S	1 1/2-2	20.1-29	31	5	8
4603S-357S	4614S-357S	1 1/2-2	29.1-35	36	5	9
4603S-358S	4614S-358S	1 1/2-2	35.1-49	48	5	12
4603S-394S	—	3-4	8	20	5	6
4603S-360S	4614S-360S	3-4	10	23	5	6
4603S-361S	4614S-361S	3-4	10.1-15	31	5	8
4603S-362S	4614S-362S	3-4	15.1-18	36	5	9
4603S-363S	4614S-363S	3-4	18.1-25	48	5	12
4603S-367S	4614S-367S	5-6	10	31	5	8
4603S-368S	4614S-368S	5-6	10.1-12	36	5	9
4603S-369S	4614S-369S	5-6	12.1-17	48	5	12
4603S-395S	—	8	8	36	5	9
4603S-396S	—	8	8.1-12	48	5	12
4603S-397S	—	10	10	48	5	12