

OPERATING, MAINTENANCE & PARTS MANUAL

MANUAL DE FUNCIONAMIENTO, MANTENIMIENTO Y PIEZAS

MAUEL D'ENTRETIEN, D'OPÉRATION ET DE PIÉCES

HAND CHAIN HOISTS

POLIPASTOS DE CADENA MANUAL

PALANS À CHAÎNE MANUELLE

CM[®] SERIES 622A

Before installing hoist, fill in the information below.

Antes de instalar el polipasto, rellene los datos siguientes.

Enregistrez les informations suivantes avant de faire l'installation.

Model Number. / Número de modelo / Numéro de modèle _____

Serial No. / N° de Serie / No. de Ser. _____

Purchase Date / Fecha de Compra / Date d'achat _____

Voltage / Voltaje / Tension _____

Rated Load / Carga Nominal / Charge Nominale _____

**RATED LOADS:
1/2, 1, 2, 3 & 5 TONNE
(500, 1000, 2000, 3000
& 5000 KG.)**

**Follow all instructions and warnings
for inspecting, maintaining and
operating this hoist.**

The use of any hoist presents some risk of personal injury or property damage. That risk is greatly increased if proper instructions and warnings are not followed. Before using this hoist, each operator should become thoroughly familiar with all warnings, instructions and recommendations in this manual. **Retain this manual for future reference and use.**

Forward this manual to operator.
Failure to operate equipment as
directed in manual may cause injury.

**CAPACIDADES DE CARGA:
1/2, 1, 2, 3 Y 5 TONNE
(500, 1000, 2000, 3000
Y 5000 KG.)**

**Siga todas las instrucciones y
advertencias para inspeccionar,
mantener y operar este polipasto.**

El uso de cualquier polipasto presenta algunos riesgos de daños a las personas o a las cosas. Este riesgo se ve incrementado si no se siguen correctamente las instrucciones y advertencias. Antes de usar el polipasto el operario debería estar familiarizado con todas las advertencias, instrucciones y recomendaciones de este manual. **Guarda este manual para futuras consultas.**

Entregue este manual al operario. Si el equipo no se maneja tal y como se recomienda en el presente manual, es posible que se produzcan situaciones de peligro que pueden resultar en daños personales.



**CHARGES NOMINALES:
1/2, 1, 2, 3 ET 5 TONNE
(500, 1000, 2000, 3000
ET 5000 KG.)**

**Veillez vous conformer à toutes les
instructions et avertissements d'inspection,
d'entretien et d'opération de ce palan.**

L'utilisation de tout appareil de levage comporte des risques de blessures ou de dégâts matériels. Ces risques sont de beaucoup accrus si les instructions et avertissements ne sont pas suivis. Tous les opérateurs devraient se familiariser complètement avec toutes les recommandations instructions et avertissements de ce manuel avant d'utiliser ce palan. **Conservez ce manuel pour utilisation et référence future.**

Remettez ce manuel à l'opérateur.
L'utilisation de cet équipement contrairement
aux directives de ce manuel peut causer
des blessures.

CM HOIST PARTS AND SERVICES ARE AVAILABLE IN THE UNITED STATES AND IN CANADA

As a CM Hoist and Trolley user you are assured of reliable repair and parts services through a network of Master Parts Depots and Service Centers that are strategically located in the United States and Canada. These facilities have been selected on the basis of their demonstrated ability to handle all parts and repair requirements promptly and efficiently. To quickly obtain the name of the Master Parts Depot or Service Center located nearest you, call (800) 888-0985, Fax: (716) 689-5644, visit www.cmworks.com.

LAS PIEZAS Y REPARACIONES DE LOS POLIPASTOS DE CM ESTÁN ASEGURADAS EN ESTADOS UNIDOS Y CANADÁ

Como usuario de un polipasto y carro de CM le aseguramos cualquier reparación o la disponibilidad de cualquier pieza de repuesto a través de una red de almacenes de piezas de repuesto y centros de servicio situados estratégicamente en Estados Unidos y Canadá. Estas instalaciones se han seleccionado en base a su capacidad demostrada en la reparación de equipos y suministro de piezas de repuesto de forma rápida y eficaz. Para obtener la dirección del almacén de piezas de repuesto o del centro de servicio más cercano, llame al teléfono (800) 888-0985. Fax: (716) 689-5644, visita www.cmworks.com (sólo en Estados Unidos y Canadá).

LE SERVICE DE RÉPARATION ET DE PIÈCES POUR PALANS CM EST DISPONIBLE AUX ÉTATS-UNIS ET AU CANADA

Soyez assurés qu'en temps d'utilisateur de palan et treuil CM, d'un service de réparation et de pièces fiable par l'entremise d'un réseau de Centres de service et de Dépôts de pièces maîtresses qui sont stratégiquement situés aux États-Unis et au Canada. Ces établissements ont été sélectionnés sur une base de leur habileté démontrée à s'occuper promptement et efficacement des besoins de réparation de pièces. Appelez le (800) 888-0985, Fax: (716) 689-5644, visitez www.cmworks.com pour obtenir rapidement le nom du dépôt de pièces maîtresses ou du centre de service situé le plus près.

WARNING

Improper operation of a hoist can create a potentially hazardous situation which, if not avoided, could result in death, or serious injury. To avoid such a potentially hazardous situation, the operator shall:

1. **NOT** operate a malfunctioning or unusually performing hoist.
2. **NOT** operate the hoist until you have thoroughly read and understood this manual.
3. **NOT** operate a hoist which has been modified without the manufacturer's approval or certification to be in conformity with applicable OSHA regulations.
4. **NOT** lift or pull more than rated load for the hoist.
5. **NOT** use damaged hoist or hoist that is not working properly.
6. **NOT** use hoist with twisted, kinked, damaged, or worn load chain.
7. **NOT** operate with any lever extension (cheater bar).
8. **NOT** attempt to "free chain" the hoist while a load is applied.
9. **NOT** use the hoist to lift, support, or transport people.
10. **NOT** lift loads over people and make sure all personnel remain clear of supported load.
11. **NOT** attempt to lengthen the load chain or repair damaged load chain.
12. Protect the hoists load chain from weld splatter or other damaging contaminants.
13. **NOT** operate a hoist when it is restricted from forming a straight line from hook to hook in the direction of loading.
14. **NOT** use load chain as a sling or wrap load chain around load.
15. **NOT** apply the load to the tip of the hook or to the hook latch.
16. **NOT** apply load unless load chain is properly seated in the chain wheel(s) or sprocket(s).
17. **NOT** apply load if bearing prevents equal loading on all load supporting chains.
18. **NOT** operate beyond the limits of the load chain travel.
19. **NOT** leave load supported by the hoist unattended unless specific precautions have been taken.
20. **NOT** allow the chain or hook to be used as an electrical or welding ground.
21. **NOT** allow the chain or hook to be touched by a live welding electrode.
22. **NOT** remove or obscure the warnings on the hoist.
23. **NOT** operate a hoist which has Not been securely attached to a suitable support.
24. **NOT** operate a hoist unless load slings or other approved single attachments are properly sized and seated in the hook saddle.
25. **NOT** lift loads that are Not balanced and the holding action is Not secure, taking up slack carefully.
26. **NOT** operate a hoist unless all persons are and remain clear of the supported load.
27. Report malfunctions or unusual performances of a hoist, after it has been shut down until repaired.
28. **NOT** operate a hoist on which the safety placards or decals are missing or illegible.
29. Be familiar with operating controls, procedures and warnings.

CAUTION

Improper operation of a hoist can create a potentially hazardous situation which, if not avoided, could result in minor or moderate injury. To avoid such a potentially hazardous situation, the operator shall:

1. Maintain a firm footing or be otherwise secured when operating the hoist.
2. Check brake function by tensioning the hoist prior to each lift or pulling operation.
3. Use hook latches. Latches are to retain slings, chains, etc. under slack conditions only.
4. Make sure the hook latches are closed and not supporting any parts of the load.
5. Make sure the load is free to move and will clear all obstructions.
6. Avoid swinging the load or hook.
7. Avoid lever "fly-back" by keeping a firm grip on the lever until operating stroke is completed and lever is at rest.
8. Inspect the hoist regularly, replace damaged or worn parts, and keep appropriate records of maintenance.
9. Use Columbus McKinnon parts when repairing the unit.
10. Lubricate load chain as recommended in this manual.
11. **NOT** operate except with manual power.
12. **NOT** permit more than one operator to pull on lever at the same time. More than one operator is likely to cause hoist overload.
13. **NOT** allow your attention to be diverted from operating the hoist.
14. **NOT** allow the hoist to be subjected to sharp contact with other hoists, structures, or objects through misuse.
15. **NOT** adjust or repair the hoist unless qualified to perform such adjustments or repairs.

The hoists are intended for general industrial use for moving loads within their load ratings. Prior to installation and operation, the user should review the application for abnormal environmental or handling conditions.

GENERAL SAFETY INFORMATION

ADVERSE ENVIRONMENTAL CONDITIONS

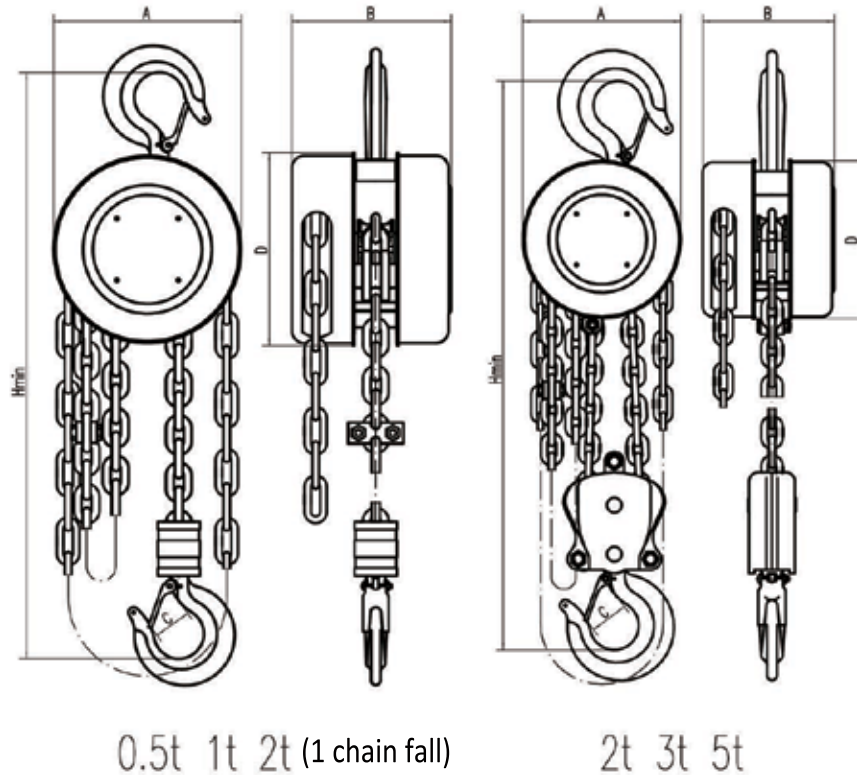
Do not use the hoists in areas containing flammable vapors, liquids, gasses or any combustible dust or fibers. Do not use the hoist in highly corrosive, abrasive, wet environments or in applications involving exposure to temperatures below -10°F or above 130°F.

MOVING HAZARDOUS LOADS

The hoists are not recommended for lifting materials that could cause widespread damage if dropped. The lifting or moving of materials that could explode or cause chemical or radioactive contamination requires fail-safe, redundant supporting devices that are not incorporated into these hoists.

SAFETY PRECAUTIONS

Each Series 622A Hand Hoist is built in accordance with the specifications contained herein and at the time of manufacture complies with our interpretation of applicable sections of the *American Society of Mechanical Engineers Code B30.16 "Overhead Hoist" and the Occupation Safety and Health Act. The safety laws for elevators and for dumbwaiters may specify construction details that are not necessarily incorporated in CM industrial hoists. We recommend the use of equipment that meets state and national safety codes. Columbus McKinnon Corporation cannot be responsible for applications other than those for which CM equipment is recommended.



SPECIFICATIONS

Product Code	Rated Capacity (tons)	Standard Lift ft. (m)	Chain pull to lift rated load lbs. (kg)	Net Weight lbs. (kg)	Headroom inches (mm)	Clearance Dimensions inches (mm)			
						A	B	C	D
2255A	1/2	10 (3)	50 (23)	18 (8)	9.45 (240)	4.7 (120)	4.2 (108)	0.9 (24)	4.7 (120)
2208A		15 (4.5)							
2231A		20 (6)							
2263A		30 (9)							
2256A	1	10 (3)	68 (31)	22 (10)	10.63 (270)	5.5 (142)	4.8 (122)	1.1 (28)	5.5 (142)
2210A		15 (4.5)							
2262A		20 (6)							
2264A		30 (9)							
2258A	2	10 (3)	103 (47)	35 (16)	13.66 (347)	7 (178)	5.5 (139)	1.3 (34)	7 (178)
2213A		15 (4.5)							
2233A		20 (6)							
2272A		30 (9)							
2259A	3	10 (3)	77 (35)	53 (24)	18.5 (470)	7 (178)	5.5 (139)	1.4 (38)	7 (178)
2223A		15 (4.5)							
2214A		20 (6)							
2260A	5	10 (3)	86 (39)	79 (36)	23.62 (600)	8.2 (210)	6.3 (162)	1.9 (48)	8.2 (210)
2257A		15 (4.5)							
2234A		20 (6)							

GENERAL INFORMATION

This manual contains important information to help you properly install, operate and maintain your Series 622A Hoist for maximum performance, economy and safety.

Please study its contents thoroughly before putting your hoist into operation. By practicing correct operating procedures and by carrying out the recommended preventive maintenance suggestions, you will be assured of long, dependable and safe service. After you have completely familiarized yourself with the contents of this manual, we recommend that you carefully file it for future reference.

The information herein is directed to the proper use, care and maintenance of the Series 622A Hoist and does not comprise a handbook on the broad subject of rigging.

Rigging can be defined as the process of lifting and moving heavy loads using hoists and other mechanical equipment. Skill acquired through specialized experience and study is essential to safe rigging operations. For rigging information, we recommend consulting a standard textbook on the subject.


CM REPAIR/REPLACEMENT POLICY

All Columbus McKinnon (CM) Series 622A Hoists are inspected and performance tested prior to shipment. If any properly maintained hoist develops a performance problem, within one year of shipment, due to a material or workmanship defect, as verified by CM, repair or replacement of the unit will be made to the original purchaser without charge. This repair/replacement policy applies only to Series 622A Hoists installed, maintained and operated as outlined in this manual, and specifically excludes hoists subject to normal wear, abuse, improper installation, improper or inadequate maintenance, hostile environmental effects and unauthorized repairs/modifications.

We reserve the right to change materials or design if, in our opinion, such changes will improve our product. Abuse, repair by an unauthorized person, or use of non-CM replacement parts voids the guarantee and could lead to dangerous operation. For full Terms of Sale, see Sales Order Acknowledgment. Also, refer to the back cover for Limitations of Warranties, Remedies and Damages, and Indemnification and Safe Operation.

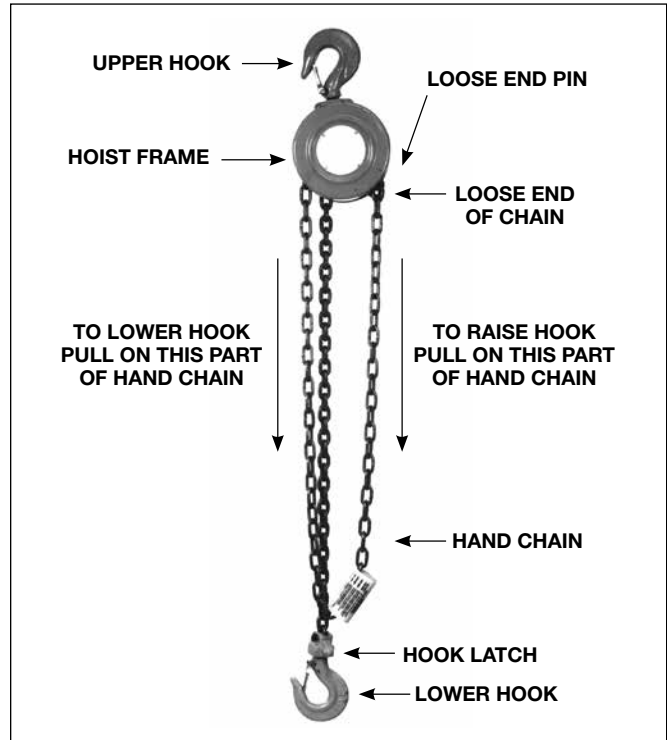
UNPACKING

After opening the carton, the hoist should be carefully inspected for damage which may have occurred during shipment or handling. Check the hoist frame for dents or cracks and inspect the load chain for nicks and gouges. If shipping damage has occurred, refer to the packing list envelope on the carton for claim procedure.


 WARNING
Operating a unit with obvious external damage may cause load to drop and that may result in personal injury and/or property damage.
TO AVOID INJURY:
Carefully check unit for external damage prior to installation.

OPERATING INSTRUCTIONS

After mounting and before placing in service, check the hoist for proper operation. Before operating the 3 and 5 ton units, make sure that all strands of chain are straight and have no twists (due to capsized hook). If the chain is twisted, reverse capsize. To operate the hoist, pull on the hand chain as indicated below.



Operate the hoist with no load and then a light load of approximately 50 pounds (23 Kg.) times the number of load supporting chains to make sure it operates properly and the brake holds the load when the hand chain is released; then operate with a rated load as shown on the capacity plate.

 WARNING
Operating the 3 and 5 ton hoists in the lifting direction with the hook block in contact with the frame and/or hoist hanger may break the chain and allow the load to drop.
TO AVOID INJURY:
Stop operating in the lifting direction when the hook block contacts the hoist frame and/or hanger, as noted by sudden increase in hand chain pull or tipping of the hook block.

SAFETY PROCEDURES

1. The hoist must always be rigged to lift in a straight line from hook to hook. The hoist must always be free to swivel on the upper hook. Under no condition should the hoist frame be allowed to bear on any support when in use as this would cause bending of the hook or frame and damage the unit.
2. When preparing to lift or move a load, be sure that the attachments to both hooks are firmly seated in the saddles of the hooks. Avoid off center loading of any kind especially loading on the tip of the hook. Also observe that the chain hangs straight (without twist) from hoist to lower hook.
3. When lifting, raise the load only enough to clear the floor or support, and check to be sure brake will hold load and that attachments to the load are firmly seated. Continue the lift only after you are assured the load is free of all obstructions.
4. Do not load beyond the rated capacity of the hoist. Rated capacity can be achieved with the following hard chain pulls:

Hoist Rated Load Tons (kg)	Hand Chain Pull To Lift Rated Load lbs (kg)
1/2 (500)	50 (23)
1 (1000)	68 (31)
2 (2000)	103 (47)
3 (3000)	77 (35)
5 (5000)	86 (39)

Since these hand chain pulls can easily be applied by one person, under no circumstances should more than one person operate the hoist hand chain. Overloading can cause immediate failure of some load carrying parts or result in damage causing future failure at less than rated capacity. When in doubt, use the next larger capacity CM hoist.

WARNING

Exceeding the rated capacity of the hoist may cause load to fall.

TO AVOID INJURY:

Do not exceed the hand chain pulls specified in 4 above.

- Do not wrap load chain around the load or bring the load in contact with the hoist. Doing this will result in the loss of the swivel effect of the hook which could mean twisted chain and a jammed liftwheel. The chain could be damaged at the hook.
- Stand clear of all loads and avoid moving a load over the heads of other personnel. Warn personnel of your intention to move a load in their area.
- Do not leave the load in the air unattended.
- Do not lower the hook to a point where the chain becomes taut between the liftwheel and loose end pin.
- Do not run the lower hook block into the hoist frame. Frame and/or chain guide damage may result.
- The hoist has been designed for manual operation only.

WARNING

Power operation may result in structural damage or premature wear that may cause a part to break and allow the load to fall.

TO AVOID INJURY:

Operate Series 622A Hoists using hand power only.

- Do not use this or any other overhead materials handling equipment for lifting persons.
- Do not allow the load to bear against the hook latch. The latch is to help maintain the hook in position while the chain is slack before taking up slack chain.

WARNING

Allowing the load to bear against the hook latch and/or hook tip can result in loss of load.

TO AVOID INJURY:

Do not allow the load to bear against the hook latch and/or hook tip. Apply load to hook bowl or saddle only.

- Never operate the hoist when flammable materials or vapors are present. Sharp contact between metal parts can produce sparks that can cause a fire or explosion.
- STAY ALERT! Watch what you are doing and use common sense. Do not use the hoist when you are tired, distracted or under the influence of drugs, alcohol or medication causing diminished control.

MAINTANCE

INSPECTION

To maintain continuous and satisfactory operation, a regular inspection procedure must be initiated so that worn or damaged parts can be replaced before they become unsafe. The intervals of inspection must be determined by the individual application and are based upon the type of service to which the hoist will be subjected. The inspection of hoists is divided into two general classifications designated as "frequent" and "periodic."

FREQUENT INSPECTIONS:

These inspections are usually visual examinations by the operator or other designated personnel. The frequent inspections are to be performed daily or monthly and shall include the following items:

- Braking mechanisms for evidence of slippage — daily.
- Load Chain for lubricant, wear, damaged links or foreign material — daily. See below.
- Hooks for damage, cracks, twists, latch engagement and latch operation — monthly. See below.

Any deficiencies noted are to be corrected before the hoist is returned to service.

PERIODIC INSPECTIONS:

These are visual inspections by an appointed person who makes records of apparent external conditions to provide the basis for a continuing evaluation. For normal service, the periodic inspections are to be performed yearly and for heavy service, the periodic inspections are to be performed semi-annually.

Due to the construction of the hoist, it will be necessary to partially disassemble the unit to perform the periodic inspections. The periodic inspections are to include those items listed under frequent inspections as well as the following:

- Chain for excessive wear or stretch. See below.
- Worn, cracked or distorted parts such as hook blocks, hoist hanger, chain guide, stripper, loose end pin, shafts, gears, hook collar and bearings.
- Inspect for wear on the tip of the pawl, teeth of the ratchet and pockets of the liftwheel and handwheel.
- Loose or missing bolts, nuts, pins or rivets.
- Inspect brake components for worn, glazed or contaminated friction discs and scoring of the handwheel hub, ratchet and friction hub. Replace friction discs if the thickness is less than 0.044 in. (1.12 mm) on 1/2 & 1 ton units and 0.059 in. (1.50 mm) on 2, 3 and 5 ton units.
- Corroded, stretched or broken pawl spring.
- Free movement of the pawl on the pawl stud. Also, apply a thin coat of lubricant to the pawl stud (see page 6) before reassembling the unit.
- Hooks — dye penetrant, magnetic particle or other suitable crack-detecting inspections should be performed at least once a year, if external conditions indicate there has been unusual usage.

Any deficiencies noted are to be corrected before the hoist is returned to service. Also, the external conditions may show the need for more detailed inspection which, in turn, may require the use of nondestructive-type testing.

Any parts that are deemed unserviceable are to be replaced with new parts before the unit is returned to service. It is very important that the unserviceable parts be destroyed to prevent possible future use as a repair item and properly disposed of.

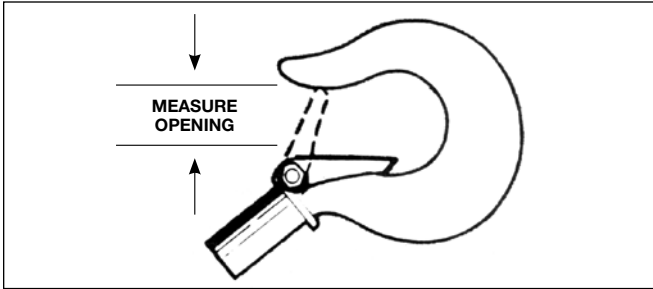
HOOK INSPECTION

Hooks damaged from chemicals, deformations or cracks or that have more than a 10° twist from the plane of the unbent hook or excessive opening or seat wear must be replaced.

Also, hooks that are opened and those that allow the latch to disengage the tip, must be replaced.

Any hook that is twisted or has excessive throat opening indicates abuse or overloading of the unit. Other load-sustaining components of the hoist should be inspected for damage.

The chart below should be used to determine when the hook must be replaced. To measure throat opening, depress the latch against the hook body as shown below.



Hoist Rated Load Tons (kg)	Replace Hook When Opening is Greater Than:	
	inches	mm
1/2 (500)	1.19	30.2
1 (1000)	1.34	34
2 (2000)	1.71	43.5
3 (3000)	2	50.9
5 (5000)	2.52	64

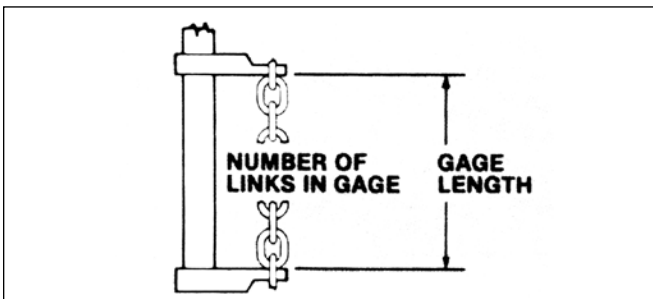
Also, check to make sure that the latch is not damaged or bent and that it operates properly with sufficient spring pressure to keep the latch tightly against the tip of the hook and allow the latch to spring back to the tip when released. If the latch does not operate properly, it should be replaced.

LOAD CHAIN

CLEANING AND INSPECTION

First clean the load chain with a non-acid or non-caustic type solvent then slack the chain and make a link-by-link inspection for nicks, gouges, twisted links and excessive wear or stretching. Worn chain should be gaged throughout its entire length and replaced if beyond serviceable limits.

To determine if load chain should be continued in service, check gage lengths as indicated in figure below. Chain worn beyond length indicated, nicked, gouged or twisted should be replaced before returning hoist to service. Chain should be clean, free of twists and pulled taut before measuring. In cases where the wear is localized and not beyond serviceable limits, it is sometimes possible to reverse the load chain, end for end, and allow a new section to take the wear. Proper installation of the load chain is covered in section on Reaving Load Chain (page 7).



Hoist Rated Load Tons (kg)	Chain Stock Diameter - in. (mm)	No. of Links to gage	Max. Length Allowable for used Chain - in. (mm)
1/2 (500)	0.236 (6)	11	8.50 (215.9)
1 (1000)	0.236 (6)	11	8.50 (215.9)
2 (2000)	0.315 (8)	11	11.33 (287.9)
3 (3000)	0.315 (8)	11	11.33 (287.9)
5 (5000)	0.394 (10)	11	14.17 (359.9)
Hand Chain	0.198 (5)	11	11.55 (293.3)

Note that worn chain can be an indication of worn hoist components. For this reason, the hoist's chain guide roller and liftwheel should be examined for wear and replaced as necessary when replacing worn chain.

Also, load chains are specially heat treated and hardened and should never be repaired.

WARNING

Using other than CM-supplied load chain may cause the chain to jam in the hoist and/or allow the chain to break and the load to drop.

TO AVOID INJURY:

Due to the size requirements and physical properties, use only CM Hoistaloy® load chain in the Series 622A Hand Hoist.

IMPORTANT: Do not use replaced chain for other purposes such as lifting or pulling. Load chain may break suddenly without visual deformation. For this reason, cut replaced chain into short lengths to prevent use after disposal.

Before returning chain to service or after replacing a load chain, lubricate liberally with Lubriplate Bar and Chain Oil 10-R (Fiske Bros. Refining Co.) or equal lubricant. Remove excess lubricant from the chain by wiping with a cloth.

HAND CHAIN

Hand chain should be cleaned, inspected and gaged in the same manner as load chain.

As received from the factory, the hand chain contains an unwelded link. This link can be placed in a vise and twisted open to facilitate changing chain length. Please note that opening and closing of the connecting link more than twice is not recommended. Also, connecting links must not be made by cutting the weld side of a standard hand chain link.

Hand chain should be assembled to handwheel free from twists with weld on vertical link facing inwards towards handwheel and weld on horizontal link facing towards the handwheel side plate.

Care must be taken to assure that there is no twist in the hand chain loop.

LUBRICATION

WARNING

The Lubricants used in and recommended for the Series 622A Hand Hoist may contain hazardous materials that mandate specified handling and disposal procedures.

AVOID CONTACT AND CONTAMINATION:

Handle and dispose of lubricants only as directed in applicable material safety data sheets and in accordance with applicable local, state and federal regulations.

Lubricate load chain with a light coat of Lubriplate Bar and Chain Oil 10-R (Fiske Bros. Refining Co.) or equal lubricant. Be sure the lubricant reaches the bearing surfaces between the links. Remove excess oil from the chain.

⚠ WARNING
Used motor oils contain unknown carcinogenic materials.
TO AVOID HEALTH PROBLEMS:
Never use used motor oils as a chain lubricant. Only use Lubriplate Bar and Chain Oil 10-R as a lubricant for the load chain.

The hoist normally requires no additional lubrication, except for periodically lubricating the load chain as indicated above or when the unit is disassembled for periodic inspections, cleaning or repairs.

The brake is designed to operate dry. Do not use any grease or lubricant on the braking surfaces. When lubricating parts adjacent to the brake, do not use an excessive amount of lubricant which could seep onto the brake surfaces.

⚠ WARNING
Using any grease or lubricant on the braking surfaces will cause brake slippage and loss of load control which may result in injury and/or property damage.
TO AVOID INJURY:
Do not use any grease or lubricant on braking surfaces. The brake is designed to operate dry.

When the hoist is disassembled for periodic inspections, check the pawl for free movement and apply a light coat of WD-40 (WD-40 Co.) lubricant to the pawl stud.

When the hoist is disassembled for cleaning or repairs, the following locations should be lubricated using approximately 1 oz. (29.5mL) per hoist of Molykote BR-2-S (Dow Corning Corp.) grease or equivalent—threads of handwheel; gears; liftwheel rollers; gear bearing rollers; journals of chain guide and dead end pin; sheave wheel rollers (3 and 5 ton); hook ball bearings (3 and 5 ton); hook collar journals (3 and 5 ton); dead end stud (3 and 5 ton).

NOTE: To assure extra long life and top performance, be sure to lubricate the various parts of the hoist using the lubricants specified above. If desired, these lubricants may be purchased from CM.

PART NUMBERS FOR PACKAGED LUBRICANTS

Used in the Series 622A Hand Hoists

Lubricant Usage	Type of Lubricant	Part Numbers and Packaged Quantities of Lubricants
Gears, Rollers of Liftwheel and Gear Bearings	Grease (Molykote BR-2-S or Equal)	28606 - 1/2 lb.(.23Kg.) can 28618 - 1 lb.(.46Kg.) can
Pawl Stud	Oil (WD-40 or Equal)	Obtain locally—not stocked by CM
Load Chain	Oil (Lubriplate Bar and Chain Oil 10-R or Equal)	28608 - 1 pint (.5L) can 28619 - 1 gal.(3.8L) can

DISASSEMBLY

Two points of caution to be observed in disassembly are:

1. Loose rollers and bearing balls are used in various locations in the units. Care must be taken so as to not lose or misplace these since they may drop from the unit as the various parts are disassembled. The number of rollers or bearing balls used are:

Hoist Rated load - Tons (kg)	Location	Rollers required (*Roller #Needle)
1/2 (500)	Hook Holder Bearing Race	*9 Each #11 Each
1 (1000)	Hook Holder Bearing Race Inner Bearing	*9 Each #11 Each *30 Each

Hoist Rated load - Tons (kg)	Location	Rollers required (*Roller #Needle)
2 (2000)	Hook Holder Bearing Race Inner Bearing Sheave Wheel	*9 Each #11 Each *30 Each #27
3 (3000)	Hook Holder Bearing Race Inner Bearing Sheave Wheel	*15 Each #12 Each *30 Each #24
5 (5000)	Hook Holder Bearing Race Inner Bearing Sheave Wheel	*16 Each #11 Each *35 Each #29

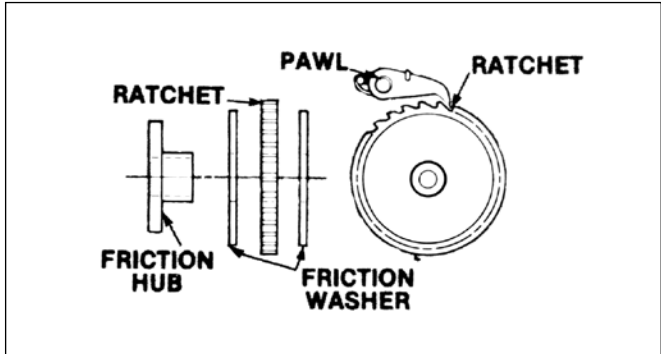
*Bearing Balls

The latch is secured to the hook (upper and lower) by a rivet. To remove the latch, it is necessary to remove the head of the rivet by grinding or drilling. For replacement of the latch, refer to paragraph 4 of the Assembly Instructions.

ASSEMBLY

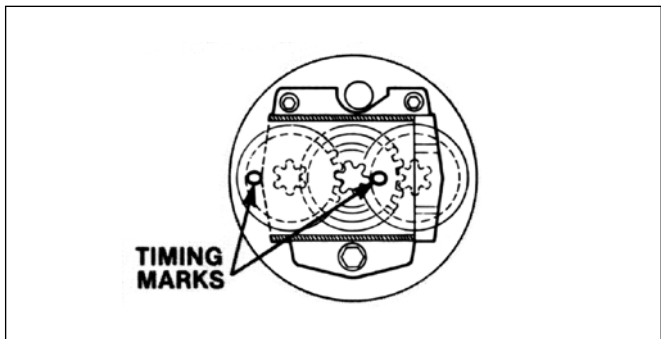
Consideration must be given to the following when assembling the hoist:

1. Assemble the brake components as shown below. The ratchet teeth must face as shown and engage the pawl. Do not lubricate the brake surfaces. The brake operates dry. Assemble handwheel to pinion shaft and turn handwheel to seat brake components. Assemble the pinion shaft nut to the shaft until the nut bottoms. Then back nut off at least one but not more than two flats. Insert cotter pin and bend ends to secure same.



* 1/2 ton hoist has two pawls 180° apart.

2. The intermediate gears have timing marks (letter "O" stamped on one tooth). The gears must be assembled with these marks orientated as shown below.



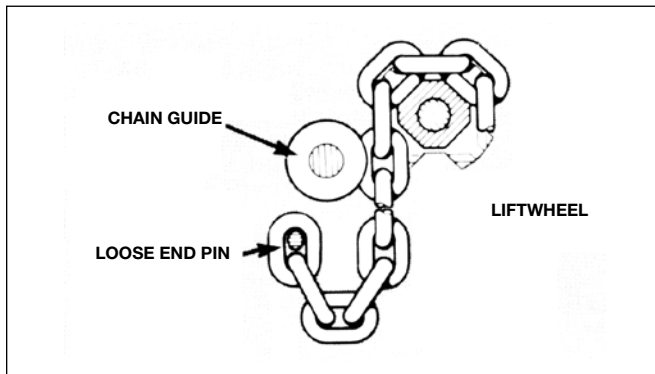
3. For proper operation, the correct number of rollers must be installed at the rotating points of the liftwheel, intermediate gears, hook block sheave (3 and 5 ton) and hoist hanger sheave (10 ton). Also, on the 3 and 5 ton units, the correct number of bearing balls must be installed in the hook collar to retain the hook and insure proper loading. Refer to Disassembly Instructions above for the number of rollers at these locations. Applying grease, Molykote BR - 2 - S (Dow Corning Corp.) or equal EP grease, to the rollers or bearing balls will help hold them in position during assembly.

- When assembling the latch to the hook, the end of the rivet must be peened over. When peening over the rivet, only apply enough force to form the head and retain the rivet. Excessive force will deform the latch and make the latch inoperable.

REEVING LOAD CHAIN

A. 1/2, 1, 2 (SINGLE REEVE) TON HOISTS

Attach approximately 20" (508mm) of soft wire to the loose end of the chain. Pass the wire over the top of the liftwheel and down between the liftwheel and the chain guide. Position the chain so that the first, as well as the third, link stands on edge with the weld away from the liftwheel and the second link lays flat on the liftwheel. After the chain has been started, pull hand chain in the hoisting direction until about 2 feet (0.6M) of chain has passed over the liftwheel. The wire should now be removed from the chain. Remove the cotter pin from the loose end pin and slide the loose end pin to the side into the gear housing, leaving approximately 1/2" (12.7mm) of the pin protruding from the geared side plate. Loop the chain, making sure there are no twists, up to the loose end pin and slide the last link of the chain. Slide the loose end pin into hole in the handwheel side plate until the cotter pin hole is visible. Secure the loose end pin by reinstalling the cotter pin and spreading the legs of the cotter pin.



⚠ WARNING

Failure to properly install the load chain between chain guide and liftwheel may cause the chain to lift out of the liftwheel pockets and allow the load to drop.

TO AVOID INJURY:

Feed load chain between liftwheel and chain guide, as shown above, before attaching it to the loose end pin..

B. 2 (DOUBLE-REEVE), 3 AND 5 TON

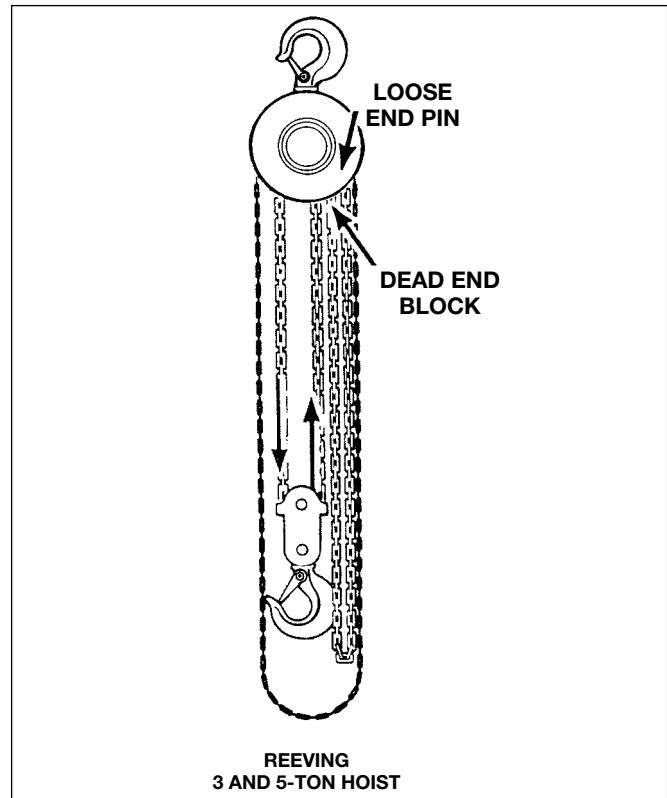
The load chain must have an odd number of links. After attaching the chain to the loose end pin per above, operate in the hoisting direction until the load end of the chain is approximately 5 feet (1.5M) long. Run chain thru the hook block (first link around the sheave must stand on edge) and up to the dead end block. Secure chain to dead end block using the stud, nut and cotter pin. Refer to illustration below.

⚠ WARNING

On the 3 and 5 ton units, twisted load chain will cause the chain to jam in the liftwheel or sheave wheels and this may break the chain and allow the load to drop.

TO AVOID INJURY:

Check each stage of reeving the chain to be sure it has no twists.



EXTERIOR FINISH

The exterior surfaces of the hoists have a durable, scratch resistant finish. Normally, the exterior surfaces can be cleaned by wiping with a cloth. However, if the finish is damaged, compatible touch-up paint can be purchased from CM. Order one case (12-12 oz.-354mL aerosol cans) of orange touch-up paint Part Number 84190. Touch-up paint is only available in case quantities. See below for ordering information.

PREVENTIVE MAINTENANCE

In addition to the periodic inspection procedure, a preventive maintenance program should be established to prolong the useful life of the hoist and maintain its dependability and continued safe use. The program should include the periodic inspections with particular attention being paid to the lubrication of various components using the recommended lubricants.

TESTING

Before using, all altered, repaired or used hoists that have not been operated for the previous 12 months should be tested by the user for proper operation. First, test the unit without a load and then with a light load of 50 pounds (23Kg.) times the number of load supporting chains to be sure that the hoist operates properly and that the brake holds the load when the hand chain is released. Next test with a load of 125% of rated capacity. In addition, hoists in which load sustaining parts have been replaced should be tested with 125% of rated capacity by or under the direction of an appointed person and written report prepared for record purposes.

NOTE: For additional information on inspection and testing, refer to Code B30.16 "Overhead Hoists" obtainable from ASME Order Department, 22 Law

REPAIR PARTS LIST

WARNING

Using "Commercial" or other manufacturer's parts to repair the CM Series 622A Hoists may cause load loss.

TO AVOID INJURY:

Use only CM supplied replacement parts. Parts may look alike but CM parts are made of specific materials or processed to achieve specific properties.



ORDERING INSTRUCTIONS

The following information must accompany all correspondence orders for replacement parts:

1. Hoist Model Number from identification plate.
2. Serial number of the hoist stamped below identification plate.
3. Length of lift.
4. Part number of part from parts list.
5. Number of parts required.
6. Part name from parts list.

NOTE: When ordering replacement parts, it is recommended that consideration be given to the need for also ordering such items as gaskets, fasteners, insulators, etc. These items may be damaged or lost during disassembly or just unfit for future use because of deterioration from age or service.

RECOMMENDED SPARE PARTS

To insure continued operation, it is recommended that two friction washers for each Series 622A Hand Hoist in service be kept on hand at all times to replace friction washers that are worn, contaminated or glazed. See below for ordering information.

Brake Set
Friction Washer
Latch Kit
Upper & Lower Hook Assembly

WARNING

Alterations or modifications of equipment and use of any parts other than CM® 622A Series lever hoist repair parts can lead to dangerous operation and injury.

TO AVOID INJURY:

Do not alter or modify equipment. Do use only CM® 622A Series provided replacement parts.

SERIES 622A HAND HOIST PARTS LIST

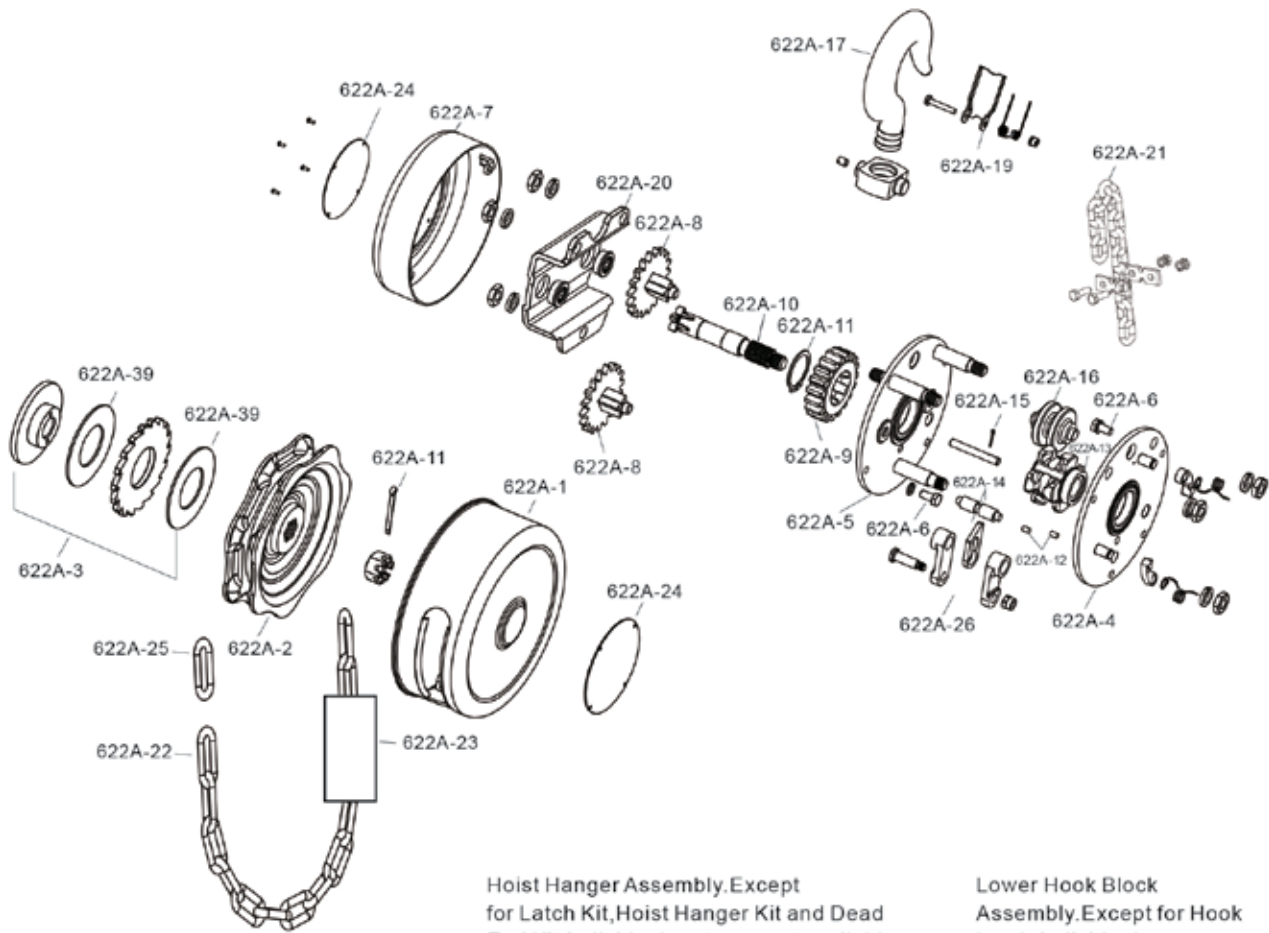
ENGLISH

Key No.	Qty	Description	Part Number Rated Load – Tons (kg)				
			1/2 (500)	1 (1000)	2 (2000) Single-Reeve	3 (3000)	5 (5000)
622A-1	1	Hand Wheel Cover with Anchors	22910A	22791A	22812A		22510A
622A-2	1	Hand Wheel	22911A	22792A	22813A		22511A
622A-3	1	Brake Set (2 Friction Washers,Ratchet and Hub)	22912A	22793A	22814A		22512A
622A-4	1	Wheel Side Plate (includes Bearing Race, Pawl and Pawl Spring, Pawl pin)	22913A	22794A	22890A	22931A	22935A
622A-5	1	Gear Side Plate (includes Bearing Race, 2 Bushings and 3 Studs)	22914A	22761A	22891A	22932A	22936A
622A-6	1	Main Hardware Set (2 Gear Cover Bolts, 3 Wheel Cover Bolts and Washers)	22775A	22796A	22796A		22817A
622A-7	1	Gear Cover with Anchors	22915A	22797A	22818A		22515A
622A-8	2	Disc Gear Set	22916A	22798A	22819A		22516A
622A-9	1	Splined Gear	22940A	22799A	22820A		22517A
622A-10	1	Pinion Shaft	22917A	22800A	22821A		22518A
622A-11	1	Pinion and Lift wheel Hardware Kit (Pinion shaft nut, Cotter Pin and Lift wheel Snap Ring)	22918A	22801A		22811A	22519A
622A-12	1	Lift wheel Roller Kit (60 Rollers for 1t-3t, 70 Rollers for 5t)	-	22802A	22823A		22520A
622A-13	1	Lift wheel	22919A	22803A	22824A		22521A
622A-14	1	Stripper Set	22920A	22804A	22825A		22522A
622A-15	1	Loose End Pin (includes 2 Cotter Pins)	22921A	22805A	22927A		22523A
622A-16	1	Chain Guide Roller	22922A	22806A	22827A		22524A
622A-17	1	Upper Hook Assembly (includes Hook with Latch, Hook Block, Bearing Balls, Set Screw)	22923A	22807A	22892A	22836A	22847A
622A-18	1	Lower Hook Assembly (include Hook with Latch, Hook Block, Chain Pin, Bearing Balls, Set Screw)	22787A	22808A	22893A	-	-
622A-19	1	Latch Kit (Latch, Spring, Screw, Nut)	22928A	22929A	22930A	22933A	22934A
622A-20	1	Gear Cage with Bushings and Rollers	22924A	22810A	22829A	22829A	22526A
622A-21	1	Load Chain (Specify Lift or Length)	85959	85959	635131	635131	85690
622A-22	1	Hand Chain (Specify Lift or Length)	85832A	85832A	85832A	85832A	85832A
622A-23	1	Warning Tube	22296	22296	22296	22296	22296
622A-24	1	Label Set (Capacity and Warning Labels, 8 Drive Screws)	22603A	22604A	22609A	22610A	22611A
622A-25	1	Hand Chain Connecting Link	661019A	661019A	661019A	661019A	661019A
622A-26	1	Dead End Kit (includes 2 Anchor Plates,Stud and Nut)	-	-	-	22882A	22527A
622A-28	1	Sheave Shaft for 2 ton - 5 ton	-	-	-	22883A	22528A
622A-29	1	Sheave Wheel for 2 ton - 5 ton	-	-	-	22884A	22529A
622A-30	1	Sheave Shaft Hardware Kit (includes Rollers, 2 Retaining Rings, 27 Rollers for 2 ton, 24 Rollers for 3 ton, 29 Rollers for 5 ton)	-	-	-	22885A	22539A
622A-31	1	Lower Hook Assembly for 2 ton, 3 ton, 5 ton (includes Hook with Latch,Hook Hanger, Hook Block, Bearing Balls and Set Screw)	-	-	-	22844A	22850A
622A-39	2	Friction Washer	22867A	22868A	22869A	22869A	22870A

SERIES 622A HAND HOIST EXPLODED VIEW

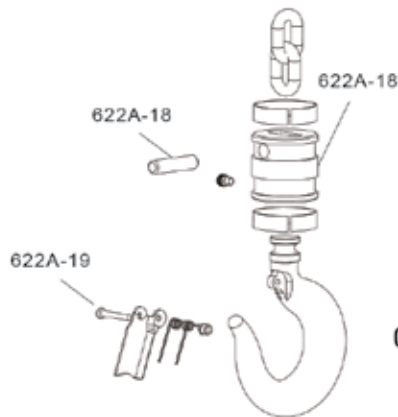
ENGLISH

Series 622A Hand Hoist Exploded View

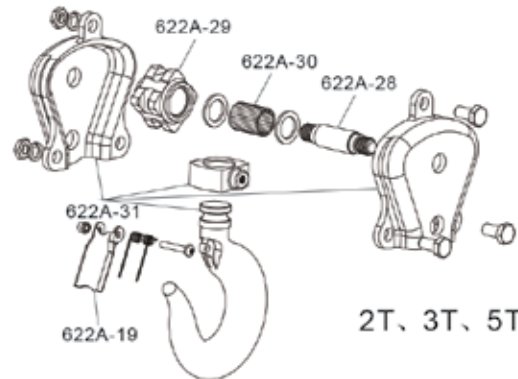


Hoist Hanger Assembly. Except for Latch Kit, Hoist Hanger Kit and Dead End Kit, individual parts are not available for repairs.

Lower Hook Block Assembly. Except for Hook Latch, individual parts are not available for repairs.



0.5T, 1T, 2T
(1 chain fall)



2T, 3T, 5T

NOTE: Metric Tools Required for Fasteners.

ADVERTENCIA

El uso incorrecto de un polipasto puede crear situaciones potencialmente peligrosas que, si no se evitan, pueden causar lesiones graves o la muerte. Para evitar dichas situaciones, el operario debe seguir las siguientes instrucciones:

1. **NO** se debe utilizar el polipasto si funciona mal o de forma inusual.
2. **NO** se debe utilizar el polipasto sin antes haber leído con detenimiento y comprendido el presente manual.
3. **NO** se debe operar un polipasto que se haya modificado sin la autorización del fabricante o una certificación que garantice la conformidad con los reglamentos correspondientes de la Administración de Seguridad y Salud Ocupacional (Occupational Safety and Health Administration, OSHA).
4. **NO** se deben levantar ni jalar cargas que superen la carga nominal del polipasto.
5. **NO** se debe utilizar el polipasto si está dañado o no funciona correctamente.
6. **NO** se debe utilizar el polipasto si la cadena de carga está retorcida, enroscada, dañada o desgastada.
7. **NO** se debe operar con prolongaciones de palanca de ningún tipo (barras de extensión).
8. **NO** se debe intentar «liberar» la cadena del polipasto mientras está soportando una carga.
9. **NO** se debe utilizar el polipasto para elevar, cargar o transportar personas.
10. **NO** se deben levantar cargas por encima de personas y se debe garantizar que todas ellas permanezcan alejadas de la carga suspendida.
11. **NO** se debe intentar prolongar la cadena de carga ni repararla si está dañada.
12. Las cadenas de carga del polipasto se deben proteger de salpicaduras de soldadura u otros contaminantes que puedan dañarlas.
13. **NO** se debe utilizar el polipasto si los ganchos no se pueden alinear en línea recta en la dirección de carga.
14. **NO** se debe utilizar la cadena de carga como eslinga ni se debe envolver la carga con ella.
15. **NO** se debe colocar la carga en la punta ni el cierre del gancho.
16. **NO** se debe colocar ningún tipo de carga si la cadena no está correctamente asentada en las ruedas.
17. **NO** se debe colocar ningún tipo de carga si los rodamientos no permiten que el peso se distribuya uniformemente en todas las cadenas de soporte.
18. **NO** se debe hacer funcionar el polipasto más allá del límite de la trayectoria de la cadena de carga.
19. **NO** se deben dejar cargas suspendidas en el polipasto sin supervisión a menos que se hayan tomado las precauciones de seguridad correspondientes.
20. **NO** se debe permitir que las cadenas o los ganchos se utilicen como tierra eléctrica o de soldadura.
21. **NO** se debe permitir que la cadena o los ganchos entren en contacto con electrodos de soldadura electrificados.
22. **NO** se deben retirar ni cubrir las advertencias del polipasto. **NO** operate a hoist which has Not been securely attached to a suitable support.
23. **NO** se debe utilizar el polipasto si no está asegurado firmemente a un soporte adecuado.
24. **NO** se debe utilizar el polipasto hasta que las eslingas de carga u otros accesorios autorizados estén correctamente ajustados y asentados en el asiento del gancho.
25. **NO** se deben levantar cargas que **NO** estén equilibradas o cuya acción de sujeción **NO** sea segura; se debe eliminar la holgura cuidadosamente.
26. **NO** se debe utilizar el polipasto hasta que todas las personas estén alejadas de la carga.
27. Si el polipasto presenta un funcionamiento defectuoso o inusual, se debe informar la situación y se debe poner fuera de funcionamiento hasta que se repare.

ADVERTENCIA

28. **NO** se debe utilizar el polipasto si le faltan las etiquetas o las placas de seguridad o si estas son ilegibles.
29. Se debe familiarizar con los controles de operación, los procedimientos y las advertencias.

PRECAUCIÓN

El uso incorrecto de un polipasto puede crear situaciones potencialmente peligrosas que, si no se evitan, pueden causar lesiones leves o moderadas. Para evitar dichas situaciones, el operario debe:

1. Mantenerse en una posición firme o estar asegurado al utilizar el polipasto.
2. Comprobar el funcionamiento del freno al tensar el polipasto antes de cada operación de elevación o tracción.
3. Utilizar los cierres de los ganchos. Estos se utilizan para asegurar eslingas, cadenas, etc., únicamente cuando la cadena presenta holgura.
4. Asegurarse de que los pestillos de los ganchos estén cerrados y que no estén soportando de ninguna manera el peso de la carga.
5. Asegurarse de que la carga pueda moverse libremente y retirar todos los obstáculos.
6. Evitar el balanceo de la carga o el gancho.
7. Evitar el «retroceso» de la palanca al mantenerla agarrada con firmeza hasta que el recorrido de la operación se complete y la palanca esté en reposo.
8. Inspeccionar el polipasto con regularidad, cambiar las piezas que estén dañadas o desgastadas y llevar registros de mantenimiento adecuados.
9. Utilice las piezas Columbus McKinnon cuando repare la unidad.
10. Lubricate load chain as recommended in this manual.
11. Utilizar el polipasto ÚNICAMENTE de forma manual.
12. **NO** permitir que más de un operario utilicen la palanca al mismo tiempo. El uso por parte de más de un operario puede provocar problemas de sobrecarga en el polipasto.
13. **NO** distraerse al utilizar el polipasto.
14. **NO** permitir que el polipasto golpee ningún tipo de estructuras, objetos u otros polipastos como resultado del uso inadecuado.
15. **NO** realizar ningún tipo de ajuste o reparación a menos que esté cualificado para hacerlo.

Los polipastos están diseñados para el uso industrial general de movimiento de cargas dentro de su rango de capacidad de carga. Antes de proceder con la instalación y la operación, el usuario debe revisar la aplicación para verificar que las condiciones de manejo y del entorno sean adecuadas.

INFORMACIÓN SOBRE SEGURIDAD GENERAL

CONDICIONES AMBIENTALES ADVERSAS

No utilice polipastos en lugares en los que haya vapores, líquidos o gases inflamables o polvos o fibras combustibles. No utilice polipastos en ambientes altamente corrosivos, abrasivos o húmedos ni en tareas que impliquen exposición a temperaturas inferiores a -10°F o superiores a 130°F.

MOVIMIENTO DE CARGAS PELIGROSAS

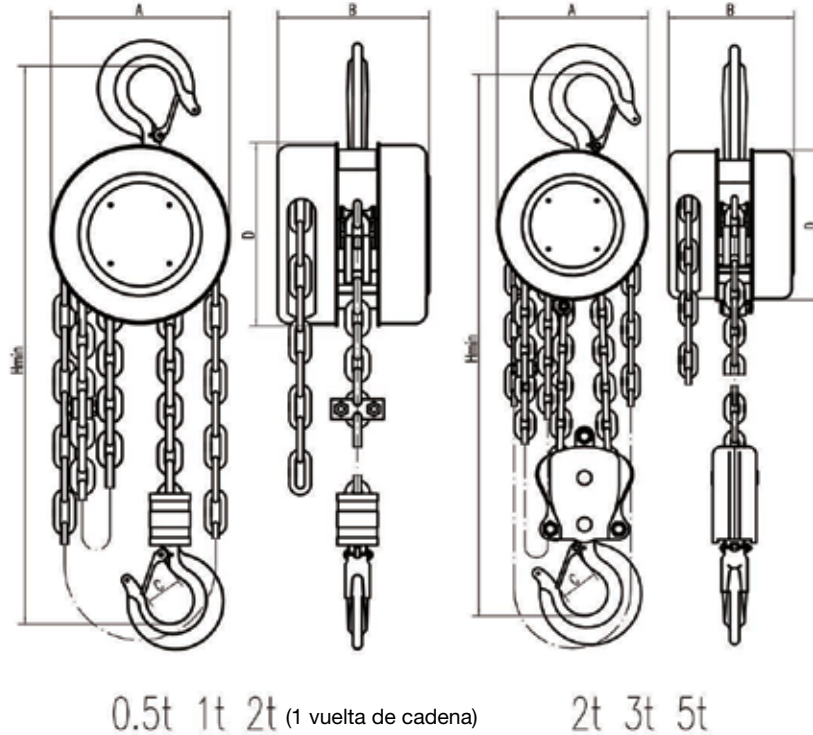
No se recomienda el uso de polipastos para elevar materiales que podrían causar daños importantes en caso de soltarse. El levantamiento o movimiento de materiales que podrían explotar o causar contaminación radioactiva o química requiere el uso de dispositivos de sujeción adicionales a prueba de fallos que no están incorporados en estos polipastos.

PRECAUCIONES DE SEGURIDAD

Los Polipastos manuales serie 622A están contruidos de acuerdo con las especificaciones que se describen en este manual y fabricados de conformidad con nuestra interpretación de las secciones correspondientes del Código B30.16, «Polipastos elevados», de la "Sociedad Americana de Ingenieros Mecánicos (American Society of Mechanical Engineers, ASME) y la

Ley de Seguridad y Salud Ocupacional (Safety and Health Act). Las leyes de seguridad para los elevadores y montacargas pueden especificar detalles de construcción que no están necesariamente incorporados en los polipastos industriales de CM. Recomendamos el uso de equipos que cumplan con los códigos de seguridad estatales y nacionales. Columbus McKinnon

Corporation no puede hacerse responsable de los usos distintos a aquellos para los que se recomienda el equipo de CM.



0.5t 1t 2t (1 vuelta de cadena)

2t 3t 5t

ESPECIFICACIONES

Código de producto	Capacidad nominal (toneladas)	Elevación estándar, pies (m)	Tracción de la cadena para elevar la carga nominal, lb. (kg)	Peso neto, lb (kg)	Altura libre, pulgadas (mm)	Dimensiones de espacio libre, pulgadas (mm)			
						A	B	C	D
2255A	1/2	10 (3)	50 (23)	18 (8)	9.45 (240)	4.7 (120)	4.2 (108)	0.9 (24)	4.7 (120)
2208A		15 (4.5)							
2231A		20 (6)							
2263A		30 (9)							
2256A	1	10 (3)	68 (31)	22 (10)	10.63 (270)	5.5 (142)	4.8 (122)	1.1 (28)	5.5 (142)
2210A		15 (4.5)							
2262A		20 (6)							
2264A		30 (9)							
2258A	2	10 (3)	103 (47)	35 (16)	13.66 (347)	7 (178)	5.5 (139)	1.3 (34)	7 (178)
2213A		15 (4.5)							
2233A		20 (6)							
2272A		30 (9)							
2259A	3	10 (3)	77 (35)	53 (24)	18.5 (470)	7 (178)	5.5 (139)	1.4 (38)	7 (178)
2223A		15 (4.5)							
2214A		20 (6)							
2260A	5	10 (3)	86 (39)	79 (36)	23.62 (600)	8.2 (210)	6.3 (162)	1.9 (48)	8.2 (210)
2257A		15 (4.5)							
2234A		20 (6)							

INFORMACIÓN GENERAL

Este manual contiene información importante para ayudarlo a instalar, utilizar y mantener de forma adecuada su Polipasto serie 622A para que el rendimiento, la seguridad y la rentabilidad sean óptimos.

Estudie su contenido detenidamente antes de poner en funcionamiento el polipasto. Seguir los procedimientos de operación adecuados y llevar a cabo las sugerencias de mantenimiento preventivo recomendadas garantiza un servicio duradero, fiable y seguro. Una vez que se haya familiarizado por completo con el contenido de este manual, le recomendamos que lo guarde en un lugar seguro para consultarlo en el futuro.

La información que contiene este material indica la operación, el cuidado y el mantenimiento adecuado del Polipasto serie 622A; no constituye un manual sobre el amplio tema del izado.

El «izado» se puede definir como el proceso de levantar y mover cargas pesadas mediante el uso de polipastos y otros equipos mecánicos. Las habilidades que se adquieren mediante la experiencia y el estudio especializados son fundamentales para un izado seguro. Para obtener información acerca del izado, recomendamos consultar un libro de texto estándar sobre el tema.

POLÍTICA DE REPARACIONES/REEMPLAZOS DE CM

All Columbus McKinnon (CM) Series 622A Hoists are inspected and Todos los Polipastos serie 622A de Columbus McKinnon (CM) se inspeccionan y se someten a pruebas de rendimiento antes de su envío. Si un polipasto que haya recibido el mantenimiento adecuado presenta problemas en su funcionamiento, en el plazo de un año a partir de la fecha de envío, debido a defectos de materiales o mano de obra constatados por CM, se reparará o reemplazará la unidad del comprador original sin ningún cargo. Esta política de reparaciones/reemplazos solo es aplicable a los Polipastos serie 622A que se hayan instalado, mantenido y utilizado del modo que se describe en este manual, y quedan específicamente excluidos los polipastos que presenten un desgaste normal, hayan sido objeto de abuso, no se hayan instalado de forma correcta o mantenido de forma adecuada, hayan sufrido los efectos de entornos hostiles o hayan sido reparados o modificados sin permiso.

Nos reservamos el derecho de cambiar el diseño o los materiales si consideramos que con ello se mejorará el producto. La reparación o el abuso por parte de personas no autorizadas o el uso de piezas de repuesto que no sean originales de CM anula la garantía y podría dar lugar a un funcionamiento peligroso. Si desea obtener información completa sobre las Condiciones de venta, consulte la sección Confirmación del pedido. Asimismo, consulte las secciones Limitación de garantía, compensaciones y daños e Indemnización y funcionamiento seguro en la parte posterior de este manual.

DESEMBALADO

Después de abrir la caja, inspeccione detenidamente el polipasto para verificar que no haya sufrido daños durante el transporte o la manipulación. Compruebe que la carcasa del polipasto no presente abolladuras ni grietas y que la

cadena de carga no presente cortes ni perforaciones. Si se produjeron daños durante el envío, consulte la lista de embalaje que se encuentra en la caja para obtener información acerca del procedimiento de reclamos.

⚠️ ADVERTENCIA

Si se pone en funcionamiento una unidad con daños externos evidentes, la carga podría caerse y producir daños personales o materiales.e.

PARA EVITAR LESIONES:

Revise la unidad detenidamente para verificar que no presente daños externos antes de instalarla.

INSTRUCCIONES DE OPERACIÓN

Después del montaje y antes de poner el polipasto en servicio, verifique que funcione adecuadamente. Antes de poner en funcionamiento las unidades de 3 y 5 toneladas, asegúrese de que todos los ramales de la cadena estén derechos y que no estén

retorcidos (debido al volteo del gancho). Si la cadena está retorcida, voltee el gancho para ponerlo en la posición correcta. Para operar el polipasto, tire de la cadena manual como se indica a continuación.



Primero, opere el polipasto sin carga; luego, aplique una carga ligera de, aproximadamente, 50 libras (23 kg) por el número de cadenas de soporte de carga a fin de garantizar que funcione adecuadamente y que el freno sostenga la carga al liberar la cadena; por último, opérela con una carga nominal, como se indica en la placa de capacidad.

⚠️ ADVERTENCIA

Operating the 3 and 5 ton hoists in the lifting direction with the hook El hecho de operar polipastos de 3 y 5 toneladas en la dirección de elevación con el bloque del gancho en contacto con el armazón o el soporte colgante del polipasto puede romper la cadena y provocar que la carga se caiga.

PARA EVITAR LESIONES:

Detenga la operación en la dirección de elevación si el bloque del gancho está en contacto con el armazón o el soporte colgante del polipasto, lo que se puede observar cuando se presenta un aumento repentino en la tracción de la cadena manual o el bloque del gancho se inclina.

PROCEDIMIENTOS DE SEGURIDAD

1. El polipasto siempre se debe preparar para que la elevación se realice en línea recta de gancho a gancho. El polipasto siempre debe poder girar libremente sobre el gancho superior. No se debe permitir bajo ninguna circunstancia que el armazón del polipasto se apoye en un soporte cuando está en uso, dado que esto podría doblar el gancho o el armazón y dañar la unidad.
2. Al realizar la preparación para elevar o mover una carga, asegúrese de que los acoplamientos de los dos ganchos estén firmemente asegurados en el asiento del gancho. Evite todo tipo de cargas descentradas, especialmente, la carga en la punta del gancho. Asimismo, verifique que la cadena quede recta (sin torceduras) del polipasto al gancho inferior.
3. Al realizar elevaciones, levante la carga solo lo suficiente para despejar el piso o el soporte y compruebe que el freno soporte la carga y que los acoplamientos de la carga estén firmemente asentados. Continúe con la elevación únicamente después de haberse asegurado de que la carga esté libre de obstrucciones.
4. No utilice cargas que superen la capacidad nominal del

polipasto. La capacidad nominal se puede alcanzar con las siguientes tracciones de la cadena manual:

Carga nominal del polipasto, toneladas (kg)	Tracción de la cadena manual para elevar la carga nominal, lb (kg)
1/2 (500)	50 (23)
1 (1000)	68 (31)
2 (2000)	103 (47)
3 (3000)	77 (35)
5 (5000)	86 (39)

Dado que estas tracciones de la cadena manual las puede aplicar una sola persona con facilidad, bajo ninguna circunstancia debe operar la cadena manual del polipasto más de una persona. La sobrecarga puede provocar el fallo inmediato de algunas de las piezas que soportan la carga o daños que pueden provocar fallos futuros al trabajar con cargas inferiores a la capacidad nominal. En caso de dudas, utilice el siguiente polipasto de CM de mayor capacidad.

ADVERTENCIA

Si se supera la capacidad nominal del polipasto, la carga se puede caer.

PARA EVITAR LESIONES:

No supere las tracciones de la cadena manual especificadas en el punto 4 anterior.

- No envuelva la carga con la cadena de carga ni permita que la carga entre en contacto con el polipasto. Si lo hace, se perderá el efecto giratorio del gancho, lo que puede retorcer la cadena y provocar un atascamiento en la rueda de elevación. La cadena se podría dañar con el gancho.
- Siempre permanezca alejado de las cargas y evite mover cargas por encima de otras personas. Advierta al personal su intención de mover una carga en su área.
- No deje cargas suspendidas en el aire sin supervisión.
- No baje el gancho a un punto en el que la cadena quede tensionada entre la rueda de elevación y el pasador de extremo suelto.
- No pase el bloque del gancho inferior por el interior del armazón del polipasto. El armazón o la guía de la cadena se podrían dañar.
- El polipasto está diseñado únicamente para ser utilizado de forma manual.

ADVERTENCIA

La operación mecánica puede ocasionar daños estructurales o desgaste prematuro que pueden provocar que una pieza se rompa y la carga se caiga.

PARA EVITAR LESIONES:

Utilice los Polipastos serie 622A únicamente de forma manual.

- No utilice este ni cualquier otro equipo de manipulación de materiales en altura para elevar personas.
- No permita que la carga se apoye en el pestillo del gancho. El pestillo está destinado a ayudar a mantener el gancho en posición cuando la cadena está floja, antes de que se tense.

ADVERTENCIA

El hecho de permitir que la carga se apoye en el pestillo o la punta del gancho puede provocar la pérdida de la carga

PARA EVITAR LESIONES:

No permita que la carga se apoye en el pestillo o la punta del gancho. Aplique la carga en el cuenco o el asiento del gancho únicamente.

- Nunca opere el polipasto en presencia de materiales o vapores inflamables. El contacto brusco entre las piezas de metal puede producir chispas que podrían provocar incendios o explosiones.
- ¡MANTÉNGASE ALERTA! Preste atención a lo que está haciendo y utilice el sentido común. No utilice el polipasto si está cansado, distraído o bajo la influencia de drogas, alcohol o medicamentos que reduzcan el control.

MANTENIMIENTO

INSPECCIÓN

Para mantener un funcionamiento continuo y satisfactorio, se debe llevar a cabo un procedimiento de inspección regular para poder reemplazar las piezas desgastadas o dañadas antes de que se vuelvan peligrosas. Los intervalos de inspección deben determinarse en función del uso individual y se deben basar en el tipo de servicio que realice el polipasto. La inspección de los polipastos se divide en dos clasificaciones generales denominadas «frecuente» y «periódica».

INSPECCIONES FRECUENTES:

Estas inspecciones, en general, consisten en un examen visual realizado por el operario u otro miembro del personal designado. Las inspecciones frecuentes se deben realizar a diario o mensualmente y se debe revisar lo siguiente:

- Evidencias de deslizamiento en los mecanismos de freno — a diario.
- La lubricación, el desgaste, la presencia de eslabones dañados o materiales extraños en la cadena de carga — a diario. Consulte a continuación.
- Daños, grietas o torceduras en el gancho, el cierre y el funcionamiento del pestillo — mensualmente. Consulte a continuación.

Toda deficiencia que se observe se debe corregir antes de volver a poner el polipasto en funcionamiento.

INSPECCIONES PERIÓDICAS:

Son inspecciones visuales que lleva a cabo una persona designada que registra el estado externo aparente para proporcionar una base para la evaluación continua. Para el servicio normal, las inspecciones periódicas se deben llevar a cabo anualmente; para el servicio pesado, se deben realizar semestralmente.

Debido a la construcción del polipasto, es necesario desarmar la unidad de forma parcial para realizar las inspecciones periódicas. En las inspecciones periódicas, además de lo enumerado para las inspecciones frecuentes, se debe revisar lo que se indica a continuación:

- Desgaste o tensión excesivos de la cadena. Consulte a continuación.
- Desgaste, grietas o deformación de piezas, como el bloque del gancho, el soporte colgante del polipasto, la guía de la cadena, el separador, el pasador de extremo suelto, el collar y los cojinetes del gancho.
- IDesgaste en la punta del trinquete, los dientes de la rueda dentada y los receptáculos de la rueda de elevación y la manivela.
- Pernos, tuercas, pasadores o remaches sueltos o faltantes.
- Los componentes del freno para comprobar que los discos de fricción no estén desgastados, cristalizados o contaminados y que el buje de la manivela, la rueda dentada y el buje de fricción no presenten marcas. Reemplace los discos de fricción si tienen un grosor inferior a 0,044 in. (1,12 mm) en las unidades de 1/2 y 1 tonelada, y menor que 0,059 in. (1,50 mm) en las unidades de 2, 3 y 5 toneladas.
- El resorte del trinquete para verificar que no esté corroído, estirado o roto.
- El movimiento libre del trinquete en el pasador. Aplique una capa delgada de lubricante en el pasador del trinquete (consulte la página 17) antes de volver a ensamblar la unidad.

- h. Ganchos: se deben llevar a cabo pruebas con tinte penetrante, partículas magnéticas u otro tipo de inspecciones de detección de grietas adecuadas, por lo menos, una vez al año si el estado externo indica una utilización inusual.

Any deficiencies noted are to be corrected before the hoist is returned to service. Also, the external conditions may show the need for more detailed inspection which, in turn, may require the use of nondestructive-type testing.

Any parts that are deemed unserviceable are to be replaced with new parts before the unit is returned to service. It is very important that the unserviceable parts be destroyed to prevent possible future use as a repair item and properly disposed of.

Toda deficiencia que se observe se debe corregir antes de volver a poner el polipasto en funcionamiento. Además, el estado externo puede indicar la necesidad de realizar una inspección más detallada, lo que, a su vez, puede requerir la realización de ensayos de tipo no destructivo.

Todas las piezas que se consideren inservibles se deben reemplazar por piezas nuevas antes de volver a poner la unidad en funcionamiento. Es muy importante que las piezas inservibles se destruyan y se desechen de forma adecuada para evitar su posible uso futuro como elementos de reparación.

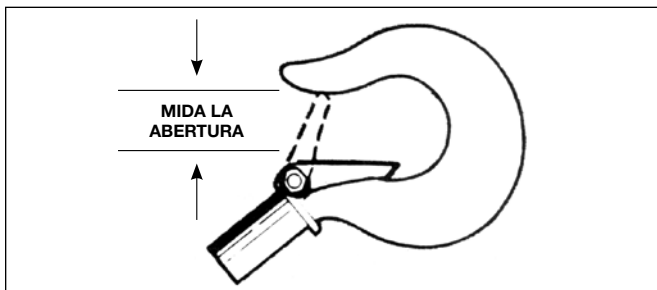
INSPECCIÓN DEL GANCHO

Se deben reemplazar los ganchos que presenten daños provocados por sustancias químicas, deformaciones o grietas; una torsión de más de 10° del plano normal del gancho; una abertura excesiva o desgaste importante del asiento.

También se deben reemplazar los ganchos abiertos o que permitan que el pestillo se suelte de la punta.

El hecho de que los ganchos estén torcidos o tengan la boca excesivamente abierta indica abuso o sobrecarga de la unidad. También se deben inspeccionar los demás componentes de soporte de carga del polipasto para verificar que no presenten daños.

Se debe utilizar la tabla a continuación para determinar cuándo se debe reemplazar un gancho. Para medir la abertura de la garganta, apriete el pestillo contra el cuerpo del gancho como se indica a continuación.



Carga nominal del polipasto, toneladas (kg)	Reemplazar el gancho cuando la abertura supera:	
	Pulgadas	mm
1/2 (500)	1.19	30.2
1 (1000)	1.34	34
2 (2000)	1.71	43.5
3 (3000)	2	50.9
5 (5000)	2.52	64

Asimismo, verifique que el pestillo no esté dañado ni doblado y que funcione adecuadamente, con suficiente presión de resorte para regresar a la punta del gancho al soltarlo y mantenerse firmemente contra esta. El pestillo se debe reemplazar si no funciona adecuadamente.

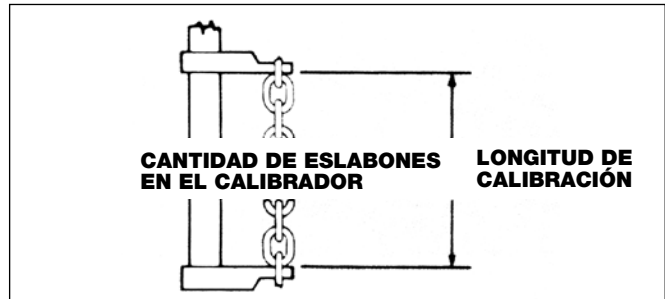
CADENA DE CARGA

LIMPIEZA E INSPECCIÓN

Primero, limpie la cadena de carga con un solvente que no sea ácido ni cáustico; luego, afloje la cadena y realice una inspección eslabón por eslabón para verificar que no presenten cortes, perforaciones,

torsión, desgaste o tensión excesivos. Se debe calibrar la cadena en toda su extensión y se debe reemplazar si supera los límites de reparación.

Para determinar si la cadena de carga se puede seguir utilizando, revise las longitudes de calibración que se indican en la imagen a continuación. Si la cadena está desgastada o presenta perforaciones, cortes o torsión más allá de la longitud indicada, se la debe reemplazar antes de volver a poner el polipasto en funcionamiento. La cadena debe estar limpia, libre de torceduras y se la debe tensar para realizar la medición. En los casos en los que el desgaste esté localizado y dentro de los límites de reparación, a veces, es posible invertir la cadena de carga de extremo a extremo para que el desgaste se produzca en una nueva sección. La instalación adecuada de la cadena de carga se abarca en la sección «Apareamiento de la cadena de carga» (página 18).



Carga nominal del polipasto, toneladas (kg)	Diámetro del material de la cadena, in. (mm)	Nro. de eslabones a calibrar	Máx. longitud permitida para una cadena usada, in. (mm)
1/2 (500)	0.236 (6)	11	8.50 (215.9)
1 (1000)	0.236 (6)	11	8.50 (215.9)
2 (2000)	0.315 (8)	11	11.33 (287.9)
3 (3000)	0.315 (8)	11	11.33 (287.9)
5 (5000)	0.394 (10)	11	14.17 (359.9)
Hand Chain	0.198 (5)	11	11.55 (293.3)

Tenga en cuenta que el desgaste de la cadena puede indicar el desgaste de componentes del polipasto. Por este motivo, se deben examinar el rodillo de guía de la cadena y la rueda de elevación del polipasto para verificar que no estén desgastados y, si es necesario, se los debe reemplazar al cambiar la cadena desgastada.

Además, las cadenas de carga están especialmente templadas y tratadas térmicamente, y nunca deben repararse.

⚠ ADVERTENCIA

El uso de cadenas de carga distintas a las suministradas por CM puede provocar atascamientos en el polipasto, o las cadenas podrían romperse y dejar caer la carga.

PARA EVITAR LESIONES:

Debido a los requisitos de tamaño y las propiedades físicas, utilice únicamente cadenas de carga Hoistaloy® de CM en el Polipasto manual serie 622A.

IMPORTANTE: No utilice la cadena que se reemplazó para otros fines, como tareas de elevación o tracción. La cadena de carga podría romperse súbitamente por más que no presente deformaciones a la vista. Por este motivo, la cadena reemplazada

Antes de volver a poner una cadena en funcionamiento o después de haber reemplazado una cadena de carga, lubríquela generosamente con Lubriplate Bar and Chain Oil 10-R (Fiske Bros. Refining Co.) o un lubricante equivalente. Retire el exceso de lubricante de la cadena al limpiarla con un paño.

CADENA MANUAL

La cadena manual se debe limpiar, inspeccionar y calibrar de la misma manera que la cadena de carga.

Tal como se recibe de fábrica, la cadena manual contiene un eslabón sin soldar. Se puede utilizar una prensa de banco para abrir

este eslabón a fin de facilitar el cambio de longitud de la cadena. Tenga en cuenta que no se recomienda abrir y cerrar el eslabón de conexión más de dos veces. Además, no se deben crear eslabones de conexión al cortar el lado soldado de un eslabón estándar de la cadena manual.

La cadena manual se debe instalar en la manivela libre de torceduras, con la soldadura del eslabón vertical orientada hacia adentro, hacia la manivela, y la del eslabón horizontal orientada hacia la placa lateral de la manivela.

Se debe prestar atención a que no haya torsiones en el lazo de la cadena manual.

LUBRICACIÓN

ADVERTENCIA

Los lubricantes que se utilizan y se recomiendan para el Polipasto manual serie 622A pueden contener sustancias peligrosas que requieran procedimientos de manipulación y eliminación específicos.

EVITE EL CONTACTO Y LA CONTAMINACIÓN:

Manipule y deseche los lubricantes únicamente como se indique en las hojas de datos de seguridad del material correspondientes y de conformidad con los reglamentos locales, estatales y federales vigentes.

Lubrique la cadena de carga con una capa ligera de Lubriplate Bar and Chain Oil 10-R (Fiske Bros. Refining Co.) o un lubricante equivalente. Asegúrese de que el lubricante cubra las superficies de contacto entre los eslabones. Retire el exceso de aceite de la cadena.

ADVERTENCIA

Los aceites de motor usados contienen materiales carcinógenos desconocidos.

PARA EVITAR PROBLEMAS DE SALUD:

Nunca utilice aceites de motor usados para lubricar la cadena. Utilice únicamente Lubriplate Bar and Chain Oil 10-R como lubricante para la cadena de carga.

En general, el polipasto no requiere lubricación adicional, salvo la lubricación periódica de la cadena de carga que se indicó anteriormente o en el caso de que la unidad se desmonte para realizar inspecciones periódicas o tareas de limpieza o reparación.

El freno está diseñado para operar en seco. No utilice grasas ni lubricantes en las superficies del freno. Al lubricar piezas contiguas al freno, no utilice una cantidad excesiva de lubricante que pueda filtrarse a las superficies del freno.

ADVERTENCIA

El uso de grasas o lubricantes en las superficies del freno provocará que este se deslice y se pierda el control de la carga, lo que puede ocasionar lesiones o daños materiales.

PARA EVITAR LESIONES:

No utilice grasas ni lubricantes en las superficies del freno. El freno está diseñado para operar en seco.

Al desarmar el polipasto para las inspecciones periódicas, verifique que el trinquete se mueva libremente y aplique una capa delgada de lubricante WD-40 (WD-40 Co.) en el pasador del trinquete.

Al desarmar el polipasto para realizar tareas de limpieza o reparaciones, se deben lubricar las ubicaciones que se indican a continuación con, aproximadamente, 1 oz. (29,5 ml) por polipasto de grasa Molykote BR-2-S (Dow Corning Corp.) o una equivalente: las roscas de la manivela, los engranajes, los rodillos de la rueda de elevación, los rodillos del rodamiento del engranaje, los muñones de la guía de la cadena y el pasador de extremo muerto, los rodillos de la rueda de la polea (3 y 5 toneladas), los cojinetes de bolas del gancho (3 y 5 toneladas), los muñones del collar del gancho (3 y 5 toneladas) y el perno del extremo muerto (3 y 5 toneladas).

NOTA: Para garantizar una vida útil duradera y el mejor rendimiento, asegúrese de lubricar las diversas piezas del

polipasto con los lubricantes especificados anteriormente. Si lo desea, puede adquirir estos lubricantes de CM.

NÚMERO DE PIEZA DE LOS LUBRICANTES ENVASADOS

Utilizados en los Polipastos manuales serie 622A

Uso de lubricante	Tipo de lubricante	Número de pieza y cantidades envasadas de los lubricantes
Engranajes, rodillos de la rueda de elevación y rodamientos del engranaje	Grasa (Molykote BR-2-S o equivalente)	28606 - lata de 1/2 lb (0,23 kg) 28618 - lata de 1 lb (0,46 kg)
Aceite para el pasador del trinquete	WD-40 o equivalente	Obtener de forma local. No proporcionado por CM.
Cadena de carga	Aceite (Lubriplate Bar and Chain Oil 10-R o equivalente)	28608 - lata de 1 pinta (5 L) 28619 - lata de 1 gal. (3,8 L)

DESMONTAJE

Hay dos puntos a los que se debe prestar especial atención en el desmontaje:

- Se utilizan bolas de cojinete y rodillos sueltos en diversas ubicaciones de las unidades. Se debe tener cuidado de no perderlos o extraviarlos dado que pueden desprenderse de la unidad al desmontar las diversas piezas. A continuación, se indica la cantidad de rodillos o bolas de cojinete que se utilizan:

Carga nominal del polipasto, toneladas (kg)	Ubicación	Rodillos requeridos (*Rodillo #Aguja)
1/2 (500)	Soporte del gancho Pista del cojinete"	**9 c/u #11 c/u"
1 (1000)	Soporte del gancho Pista del cojinete Cojinete interno	*9 c/u #11 c/u *30 c/u
2 (2000)	Soporte del gancho Pista del cojinete Cojinete interno Rueda de la polea	*9 c/u #11 c/u *30 c/u #27
3 (3000)	Soporte del gancho Pista del cojinete Cojinete interno Rueda de la polea	**15 c/u #12 c/u *30 c/u #24"
5 (5000)	Soporte del gancho Pista del cojinete Cojinete interno Rueda de la polea	**16 c/u #11 c/u *35 c/u #29"

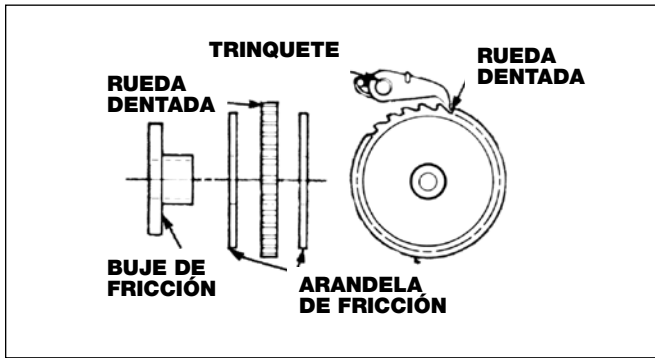
*Pernos del cojinete

El pestillo está asegurado al gancho (el superior y el inferior) mediante un remache. Para quitar el pestillo es necesario retirar la cabeza del remache al lijarlo o perforarlo. Para reemplazar el pestillo, consulte el párrafo 4 de las Instrucciones de montaje.

MONTAJE

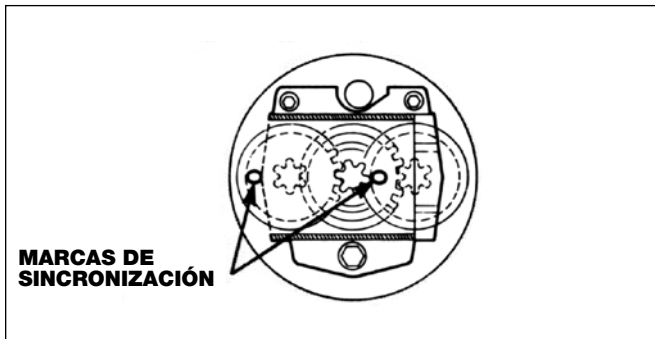
Se debe tener en cuenta lo que se indica a continuación al montar el polipasto:

- Ensamble los componentes del freno como se indica a continuación. Los dientes de la rueda dentada deben estar orientados como se indica y deben conectarse con el trinquete. No lubrique las superficies del freno. El freno funciona en seco. Instale la manivela en el eje del piñón y gírela para asentar los componentes del freno. Coloque la tuerca del eje del piñón en el eje hasta que llegue al fondo. Luego, aflójala, por lo menos, una cara, pero no más de dos. Inserte el pasador de chaveta y doble los extremos para asegurarlo.



* El polipasto de 1/2 tonelada cuenta con dos trinquetes con una separación de 180°.

- Los engranajes intermedios tienen marcas de sincronización (la letra «O» estampada en uno de los dientes). Los engranajes se deben montar con estas marcas orientadas como se indica a continuación.

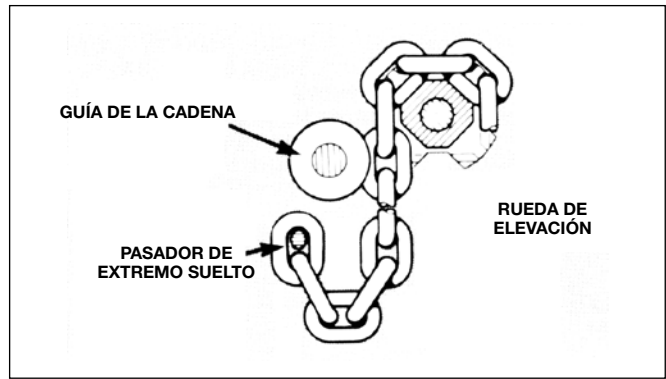


- Para un correcto funcionamiento, se debe instalar la cantidad adecuada de rodillos en los puntos de rotación de la rueda de elevación, los engranajes intermedios, la polea del bloque del gancho (3 y 5 toneladas) y la polea del soporte colgante del polipasto (10 toneladas). Además, en las unidades de 3 y 5 toneladas, se debe instalar la cantidad adecuada de bolas de cojinete en el collar del gancho para retener el gancho y asegurar una carga adecuada. Consulte las Instrucciones de desmontaje anteriores para obtener información acerca de la cantidad de rodillos que se deben utilizar en estas ubicaciones. La aplicación de grasa, Molykote BR - 2 - S (Dow Corning Corp.) o una grasa EP equivalente, en los rodillos o las bolas de cojinete ayudará a mantenerlos en posición durante el montaje.
- Al instalar el pestillo en el gancho, el extremo del remache se debe doblar con un martillo. Al doblar el remache, aplique únicamente la fuerza necesaria para formar una cabeza y mantenerlo en su lugar. Si aplica demasiada fuerza, se deformará el pestillo y quedará inutilizable.

APAREJAMIENTO DE LA CADENA DE CARGA

A. POLIPASTOS DE 1/2, 1 Y 2 TONELADAS (UN SOLO RAMAL)

Coloque, aproximadamente, 20" (508 mm) de un alambre blando en el extremo suelto de la cadena. Pase el alambre por la parte superior de la rueda de elevación y hacia abajo, entre la rueda de elevación y la guía de la cadena. Coloque la cadena de manera tal que el primer y el tercer eslabón queden en posición vertical sobre el borde, con la soldadura alejada de la rueda de elevación, y que el segundo eslabón quede apoyado de en posición horizontal sobre la rueda de elevación. Una vez que la cadena se haya colocado, tire de ella en la dirección de elevación hasta que, aproximadamente, 2 pies (0,6 mm) de cadena hayan pasado por la rueda de elevación. En este momento, se debe retirar el alambre de la cadena. Retire el pasador de chaveta del pasador de extremo suelto y deslice este último en el lateral de la carcasa del engranaje, dejando, aproximadamente, 1/2" (12,7 mm) del pasador sobresalir de la placa lateral del engranaje. Haga pasar la cadena, asegurándose de que no haya torceduras, hasta el pasador de extremo suelto e instale el pasador en el último eslabón de la cadena. Coloque el pasador de extremo suelto en la cavidad de la placa lateral de la manivela hasta que el orificio del pasador de chaveta sea visible. Asegure el pasador de extremo suelto al volver a colocar el pasador de chaveta y abrir sus patas.



⚠ ADVERTENCIA

El hecho de instalar la cadena de carga de forma inadecuada entre la guía de la cadena y la rueda de elevación puede provocar que se salga de los receptáculos de la rueda y que la carga se caiga.

PARA EVITAR LESIONES:

Haga avanzar la cadena entre la rueda de elevación y la guía de la cadena, como se indica arriba, antes de instalar el pasador de extremo suelto.

B. 2 (DOS RAMALES), 3 Y 5 TONELADAS

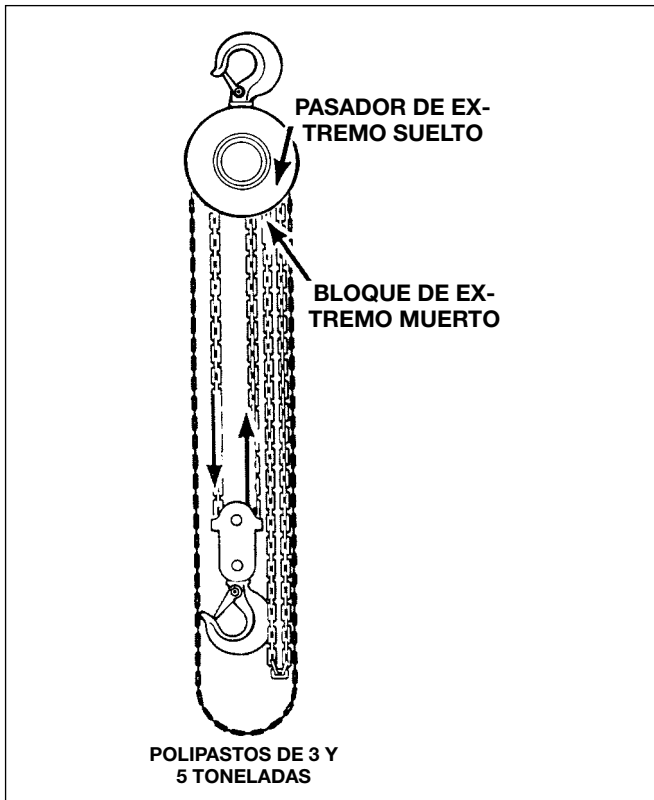
La cadena de carga debe tener un número impar de eslabones. Luego de instalar el pasador de extremo suelto en la cadena como se indicó anteriormente, accione el polipasto en la dirección de elevación hasta que el extremo de carga de la cadena tenga una longitud de, aproximadamente, 5 pies (1,5 m). Haga pasar la cadena por el bloque del gancho (el primer eslabón alrededor de la polea debe quedar en posición vertical) hasta el bloque de extremo muerto. Asegure la cadena al bloque de extremo muerto con el perno, la tuerca y el pasador de chaveta. Consulte la ilustración a continuación.

⚠ ADVERTENCIA

En las unidades de 3 y 5 toneladas, si la cadena está retorcida, provocará atascos en la rueda de elevación o las ruedas de la polea que pueden romper la cadena y dejar caer la carga.

PARA EVITAR LESIONES:

Revise cada fase del aparejamiento de la cadena para asegurarse de que no esté retorcida.



ACABADO EXTERIOR

Las superficies exteriores del polipasto cuentan con un acabado duradero a prueba de arañazos. En general, las superficies exteriores se pueden limpiar con un paño. Si el acabado se daña, se puede adquirir una pintura de retoque compatible de CM. Pida una caja (12 latas de aerosol de 12 oz. - 354 ml) de pintura de retoque naranja, número de pieza 84190. La pintura de retoque solo se puede adquirir por caja (no de forma individual). Consulte la información sobre pedidos a continuación.

MANTENIMIENTO PREVENTIVO

Además de los procedimientos de inspección periódicos, se debe establecer un programa de mantenimiento preventivo para prolongar la vida útil del polipasto y mantener sus condiciones de uso fiable y seguro continuo. El programa debe comprender las inspecciones periódicas y se debe prestar particular atención a la lubricación de los diversos componentes mediante la utilización de los lubricantes recomendados.

EVALUACIÓN

El usuario debe evaluar todos los polipastos que se hayan modificado, reparado o utilizado y no se hayan operado por 12 meses para verificar que funcionen adecuadamente antes de ponerlos en funcionamiento. Primero, se debe probar la unidad sin carga; luego, con una carga ligera de, aproximadamente, 50 libras (23 kg) por el número de cadenas de soporte de carga a fin de garantizar que el polipasto funcione adecuadamente y que el freno sostenga la carga al liberar la cadena manual. A continuación, se debe probar con una carga del 125% de la carga nominal. Además, todos los polipastos a los que se les hayan reemplazado piezas de soporte de carga deben ser evaluados con una carga del 125% de la carga nominal por, o bajo la dirección de, una persona designada y se debe redactar un informe para fines de registro.

NOTA: Para obtener información adicional acerca de la inspección y la evaluación, consulte el Código B30.16, «Polipastos elevados», de la Sociedad Americana de Ingenieros Mecánicos (American Society of Mechanical Engineers, ASME), que se puede obtener de ASME Order Department, 22 Law Drive, Box 2300, Fairfield, NJ. 07007-2300.

LISTA DE PIEZAS DE REPUESTO

⚠ ADVERTENCIA

El uso de piezas «comerciales» o piezas de otros fabricantes para reparar Polipastos serie 622A de CM puede provocar pérdidas de cargas.

PARA EVITAR LESIONES:

Utilice únicamente piezas de repuesto suministradas por CM. Otras piezas pueden verse similares, pero las piezas de CM están fabricadas con materiales específicos o procesadas para que tengan propiedades especiales.

INSTRUCCIONES DE PEDIDO

Todos los pedidos de piezas de repuesto deben ir acompañados de la información que se indica a continuación:

1. El número de modelo del polipasto, indicado en la placa de identificación.
2. El número de serie del polipasto, estampado debajo de la placa de identificación.
3. La longitud de elevación.
4. El número de pieza, indicado en la lista de piezas.
5. La cantidad de piezas que se requiere.
6. El nombre de la pieza como figura en la lista de piezas.

NOTA: Al pedir piezas de repuesto, se recomienda tener en cuenta otras necesidades para pedir también elementos como juntas, piezas de sujeción, aislantes, etc. Estos elementos se pueden dañar o perder al realizar el desmontaje o podrían no ser aptos para usos futuros debido al deterioro ocasionado por el desgaste o el uso.

PIEZAS DE REPUESTO RECOMENDADAS

Para garantizar el funcionamiento continuo, se recomienda contar con dos arandelas de fricción para cada Polipasto manual serie 622A en servicio a mano en todo momento para reemplazarlas cuando se desgasten, se contaminen o se cristalicen. Consulte la información sobre pedidos a continuación.

Conjunto del freno
Arandela de fricción
Kit del pestillo
Conjunto del gancho superior y el inferior

⚠ ADVERTENCIA

Las alteraciones o modificaciones al equipo y el uso de piezas distintas que las piezas de repuesto de CM® para Polipastos serie 622A pueden ocasionar un funcionamiento peligroso y lesiones.

PARA EVITAR LESIONES:

No altere ni modifique el equipo. Utilice únicamente piezas de repuesto de CM® para Polipastos serie 622A.

**PARTS
STAR**
BY COLUMBUS MCKINNON

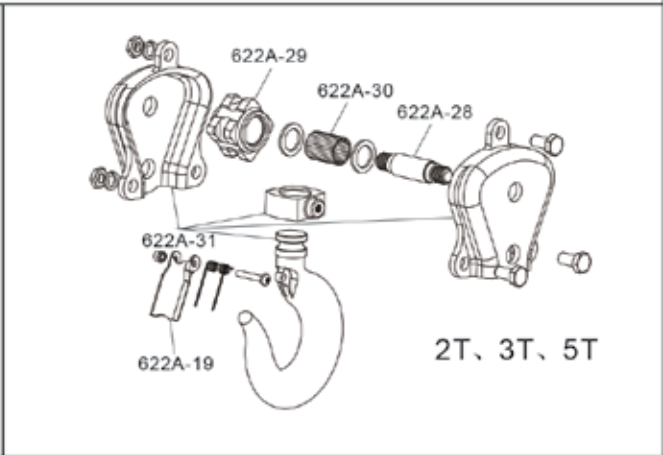
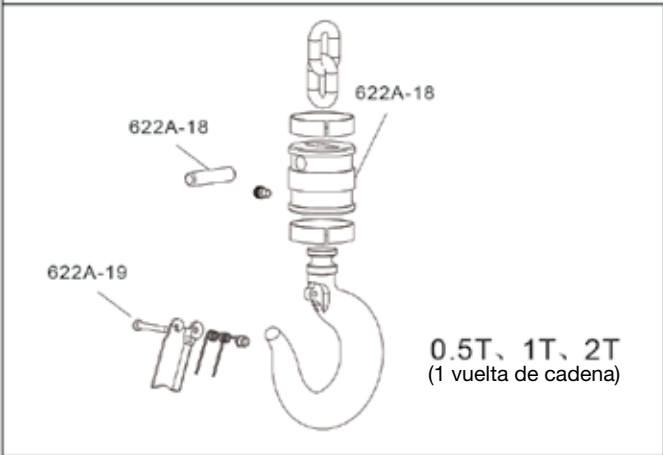
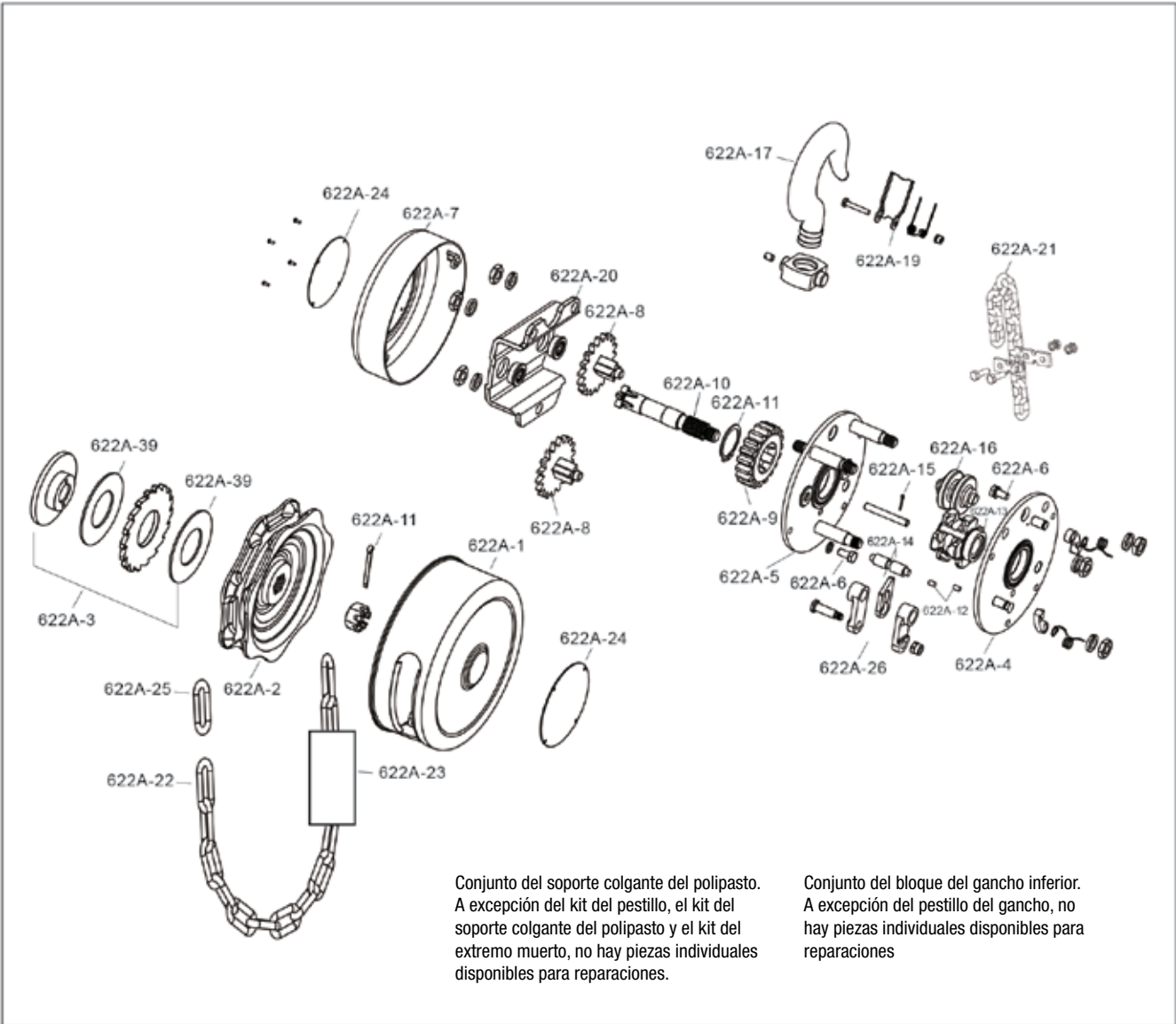
LISTA DE PIEZAS DEL POLIPASTO MANUAL SERIE 622A

ESPAÑOL

Nro. de código	Cant.	Descripción	Número de pieza - Carga nominal - toneladas (kg)				
			1/2 (500)	1 (1000)	2 (2000)	3 (3000)	5 (5000)
622A-1	1	Cubierta de la manivela con anclajes	22910A	22791A	22812A		22510A
622A-2	1	Manivela	22911A	22792A	22813A		22511A
622A-3	1	Conjunto del freno (2 arandelas de fricción, rueda dentada y buje)	22912A	22793A	22814A		22512A
622A-4	1	Placa lateral de la rueda (incluye pista decojinete, trinquete, resorte de trinquete, pasador de trinquete)	22913A	22794A	22890A	22931A	22935A
622A-5	1	Placa lateral del engranaje (incluye pista de cojinete, 2 casquillos y 3 pernos)	22914A	22761A	22891A	22932A	22936A
622A-6	1	Conjunto principal de herramientas (2 pernos de la cubierta del engranaje, 3 pernos de la cubierta de la rueda y arandelas)	22775A	22796A	22796A		22817A
622A-7	1	Cubierta del engranaje con anclajes	22915A	22797A	22818A		22515A
622A-8	2	Conjunto de disco de engranaje	22916A	22798A	22819A		22516A
622A-9	1	Engranaje ranurado	22940A	22799A	22820A		22517A
622A-10	1	Eje del piñón	22917A	22800A	22821A		22518A
622A-11	1	Kit de herramientas de piñón y rueda de elevación (tuerca del eje del piñón, pasador de chaveta y anillo de retención de la rueda de elevación)	22918A	22801A		22811A	22519A
622A-12	1	Kit de rodillos de la rueda de elevación (60 rodillos para 1t - 3t, 70 rodillos para 5t)	-	22802A	22823A		22520A
622A-13	1	Rueda de elevación (incluye 2 pistas de cojinete para 1 - 5t)	22919A	22803A	22824A		22521A
622A-14	1	Conjunto del separador	22920A	22804A	22825A		22522A
622A-15	1	Pasador de extremo suelto (incluye 2 pasadores de chaveta)	22921A	22805A	22927A		22523A
622A-16	1	Rodillo de guía de la cadena	22922A	22806A	22827A		22524A
622A-17	1	Conjunto del gancho superior (incluye gancho con pestillo, bloque del gancho, bolas de cojinete, tornillo de fijación)	22923A	22807A	22892A	22836A	22847A
622A-18	1	Conjunto del gancho inferior (incluye gancho con pestillo, bloque del gancho, perno de cadena, bolas de cojinete, tornillo de fijación)	22787A	22808A	22893A	-	-
622A-19	1	Kit del pestillo (pestillo, muelle, tornillo, tuerca)	22928A	22929A	22930A	22933A	22934A
622A-20	1	Caja de engranaje con casquillos y rodillos	22924A	22810A	22829A	22829A	22526A
622A-21	1	Cadena de carga (especificar elevación o longitud)	85959	85959	635131	635131	85690
622A-22	1	Cadena manual (especificar elevación o longitud)	85832A	85832A	85832A	85832A	85832A
622A-23	1	Tubo de advertencia	22296	22296	22296	22296	22296
622A-24	1	Conjunto de etiquetas (etiquetas de capacidad y advertencia, 8 tornillos autorroscantes)	22603A	22604A	22609A	22610A	22611A
622A-25	1	Eslabón de conexión de la cadena manual	661019A	661019A	661019A	661019A	661019A
622A-26	1	Kit del extremo muerto (incluye 2 placas de anclaje, un perno y una tuerca)	-	-	-	22882A	22527A
622A-28	1	Eje de la polea para 2 ton - 5 ton	-	-	-	22883A	22528A
622A-29	1	Rueda de la polea para 2 ton - 5 ton	-	-	-	22884A	22529A
622A-30	1	Kit de herramientas del eje de la polea (incluye rodillos, 2 anillos de retención, 27 rodillos para 2 ton, 24 rodillos para 3 ton, 29 rodillos para 5 ton)	-	-	-	22885A	22539A
622A-31	1	Conjunto del gancho inferior para 2 ton, 3 ton, 5 ton (incluye gancho con pestillo, soporte colgante del gancho, bloque del gancho, bolas de cojinete y tornillo de fijación)	-	-	-	22844A	22850A
622A-39	2	Arandela de fricción	22867A	22868A	22869A	22869A	22870A

PLANO DE DESPIECE DEL POLIPASTO MANUAL SERIE 622A

ESPAÑOL



NOTA: Se requieren herramientas métricas para las piezas de sujeción.

ATTENTION

Un mauvais fonctionnement d'un palan peut créer une situation potentiellement dangereuse qui, si elle n'est pas évitée, pourrait entraîner la mort ou des blessures graves. Pour éviter une telle situation potentiellement dangereuse, l'exploitant doit :

1. **NE PAS** faire fonctionner un palan défectueux ou inhabituel.
2. **NE PAS** faire fonctionner le palan tant que vous n'avez pas lu et compris entièrement ce manuel.
3. **NE PAS** faire fonctionner un palan qui a été modifié sans l'approbation ou la certification du fabricant pour être conforme aux réglementations OSHA applicables.
4. **NE PAS** soulever ou tirer plus que la charge nominale pour le palan.
5. **NE PAS** utiliser un palan ou un palan endommagé qui ne fonctionne pas correctement.
6. **NE PAS** utiliser un palan avec une chaîne de levage tordue, pliée, endommagée ou usée.
7. **NE PAS** utiliser avec une extension de levier (barre de tricheur).
8. **NE PAS** tenter de « libérer la chaîne » du palan pendant l'application d'une charge.
9. **NE PAS** utiliser le palan pour soulever, soutenir ou transporter des personnes.
10. **NE PAS** soulever des charges sur des personnes et s'assurer que tout le personnel reste à l'écart de la charge supportée.
11. **NE PAS** essayer d'allonger la chaîne de levage ou de réparer la chaîne de levage endommagée.
12. Protéger la chaîne de levage des palans des éclaboussures de soudure ou d'autres contaminants dommageables.
13. **NE PAS** faire fonctionner un palan lorsqu'il est interdit de former une ligne droite entre le crochet et le crochet dans le sens du chargement.
14. **NE PAS** utiliser la chaîne de levage comme chaîne de levage de fronde ou d'enroulement autour de la charge.
15. **NE PAS** appliquer la charge à l'extrémité du crochet ou au loquet du crochet.
16. **NE PAS** appliquer de charge à moins que la chaîne de levage soit correctement installée dans la (les) roue (s) ou le (s) pignon (s).
17. **NE PAS** appliquer de charge si le roulement empêche une charge égale sur toutes les chaînes de support de charge.
18. **NE PAS** fonctionner au-delà des limites de la course de la chaîne de levage.
19. **NE PAS** laisser la charge supportée par le palan sans surveillance à moins que des précautions particulières aient été prises.
20. **NE PAS** permettre à la chaîne ou au crochet d'être utilisé comme une masse électrique ou de soudage.
21. **NE PAS** laisser la chaîne ou le crochet être touché par une électrode de soudage sous tension.
22. **NE PAS** supprimer ou masquer les avertissements sur le palan.
23. **NE PAS** faire fonctionner un palan qui n'a pas été solidement fixé à un support approprié.
24. **NE PAS** faire fonctionner un palan à moins que les élingues de charge ou autres accessoires individuels approuvés ne soient correctement dimensionnées et placées dans la selle à crochet.
25. **NE PAS** soulever des charges qui ne sont pas équilibrées et l'action de maintien n'est pas sûre, en prenant soin de relâcher soigneusement.
26. **NE PAS** faire fonctionner un palan à moins que toutes les personnes ne se trouvent à l'écart de la charge supportée.
27. **NE PAS** Signaler les dysfonctionnements ou les performances inhabituelles d'un palan, après qu'il a été arrêté jusqu'à ce qu'il soit réparé.

ATTENTION

28. **NE PAS** faire fonctionner un palan sur lequel les plaques ou autocollants de sécurité sont manquants ou illisibles.
29. Se familiariser avec les commandes de fonctionnement, les procédures et les avertissements.

MISE EN GARDE

Un mauvais fonctionnement d'un palan peut créer une situation potentiellement dangereuse qui, si elle n'est pas évitée, pourrait entraîner des blessures mineures ou modérées. Pour éviter une telle situation potentiellement dangereuse, l'exploitant doit :

1. Maintenir un pied ferme ou être autrement sécurisé lors de l'utilisation du palan.
2. Vérifier la fonction de freinage en tendant le palan avant chaque opération de levage ou de traction.
3. Utiliser les loquets à crochet. Les verrous doivent retenir les élingues, les chaînes, etc. dans des conditions de jeu seulement.
4. S'assurer que les loquets du crochet sont fermés et ne supportent aucune partie de la charge.
5. S'assurer que la charge est libre de se déplacer et permettra d'éliminer toutes les obstructions.
6. Éviter de balancer la charge ou le crochet.
7. Éviter le « retour » du levier en maintenant fermement le levier jusqu'à ce que la course de travail soit terminée et que le levier soit au repos.
8. Inspecter régulièrement le palan, remplacer les pièces endommagées ou usées et conserver les enregistrements appropriés de l'entretien.
9. Utiliser les pièces Columbus McKinnon lors de la réparation de l'unité.
10. Lubrifier la chaîne de levage comme recommandé dans ce manuel.
11. **NE PAS** fonctionner avec une alimentation autre que manuelle.
12. **NE PAS** permettre à plus d'un opérateur de tirer sur le levier en même temps. Plus d'un opérateur est susceptible de provoquer une surcharge du palan..
13. **NE PAS** détourner votre attention de l'utilisation du palan.
14. **NE PAS** permettre au palan d'être soumis à un contact pointu avec d'autres palans, structures ou objets en raison d'une mauvaise utilisation.
15. **NE PAS** ajuster ou réparer le palan à moins d'être qualifié pour effectuer de tels réglages ou réparations.

Les palans sont destinés à un usage industriel général pour le déplacement de charges dans les limites de leur capacité de charge. Avant l'installation et le fonctionnement, l'utilisateur doit examiner l'application pour des conditions environnementales ou de manipulation anormale.

INFORMATIONS GÉNÉRALES DE SÉCURITÉ

CONDITIONS ENVIRONNEMENTALES DÉFAVORABLES

N'utilisez pas les palans dans des zones contenant des vapeurs inflammables, des liquides, des gaz ou toute autre poussière ou fibre combustible. Ne pas utiliser le palan dans des environnements très corrosifs, abrasifs ou humides ou dans des applications impliquant une exposition à des températures inférieures à -10 °F ou supérieures à 130 °F.

DÉPLACER DES CHARGES DANGEREUSES

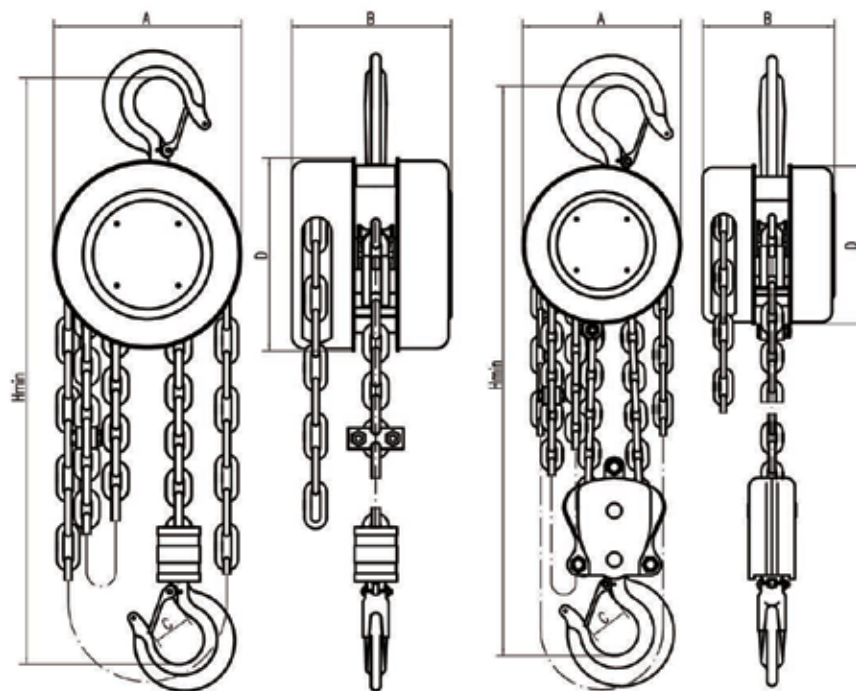
Les palans ne sont pas recommandés pour soulever des matériaux qui pourraient causer des dommages généralisés en cas de chute. Le levage ou le déplacement de matériaux susceptibles d'exploser ou de provoquer une contamination chimique ou radioactive nécessite des dispositifs de support redondants à sécurité intégrée qui ne sont pas incorporés dans ces palans.

PRÉCAUTIONS DE SÉCURITÉ

Chaque palan manuel de la série 622A est construit conformément aux spécifications ci-incluses et, au moment de la fabrication, est conforme à notre interprétation des sections applicables du * Code de la Société américaine des ingénieurs mécaniciens B30.16

Loi sur la sécurité et la santé. Les lois de sécurité pour les élévateurs et les monte-plats peuvent spécifier des détails de construction qui ne sont pas nécessairement incorporés dans les palans industriels CM. Nous recommandons l'utilisation d'équipements conformes aux codes de sécurité nationaux et internationaux. Columbus McKinnon

La Société ne peut être tenue responsable des applications autres que celles pour lesquelles l'équipement de CM est recommandé.



0.5t 1t 2t (1 chute de chaîne)

2t 3t 5t

SPÉCIFICATIONS

Code produit	Capacité nominale (tonnes)	Élévateur standard pi. (m)	Traction de la chaîne de levage de la charge nominale lb (kg)	Poids net lb (kg)	Hauteur de la tête (mm)	Dimensions de dégagement en pouces (mm)			
						A	B	C	D
2255A	1/2	10 (3)	50 (23)	18 (8)	9.45 (240)	4.7 (120)	4.2 (108)	0.9 (24)	4.7 (120)
2208A		15 (4.5)							
2231A		20 (6)							
2263A		30 (9)							
2256A	1	10 (3)	68 (31)	22 (10)	10.63 (270)	5.5 (142)	4.8 (122)	1.1 (28)	5.5 (142)
2210A		15 (4.5)							
2262A		20 (6)							
2264A		30 (9)							
2258A	2	10 (3)	103 (47)	35 (16)	13.66 (347)	7 (178)	5.5 (139)	1.3 (34)	7 (178)
2213A		15 (4.5)							
2233A		20 (6)							
2272A		30 (9)							
2259A	3	10 (3)	77 (35)	53 (24)	18.5 (470)	7 (178)	5.5 (139)	1.4 (38)	7 (178)
2223A		15 (4.5)							
2214A		20 (6)							
2260A	5	10 (3)	86 (39)	79 (36)	23.62 (600)	8.2 (210)	6.3 (162)	1.9 (48)	8.2 (210)
2257A		15 (4.5)							
2234A		20 (6)							

INFORMATIONS GÉNÉRALES

Ce manuel contient des informations importantes pour vous aider à installer, utiliser et entretenir correctement votre palan de série 622A pour une performance, une économie et une sécurité maximales.

Veillez en étudier soigneusement le contenu avant de mettre votre palan en service. En appliquant les procédures de fonctionnement correctes et en exécutant les suggestions d'entretien préventif recommandées, vous serez assuré d'un service long, fiable et sûr. Après vous être complètement familiarisé avec le contenu de ce manuel, nous vous recommandons de le déposer avec soin pour référence ultérieure.

Les informations contenues dans ce document concernent l'utilisation, l'entretien et la maintenance corrects du palan de la série 622A et ne comprennent pas de manuel sur le sujet général du gréage.

Le gréement peut être défini comme le processus de levage et de déplacement de charges lourdes à l'aide de palans et d'autres équipements mécaniques. Les compétences acquises grâce à une expérience et des études spécialisées sont essentielles à la sécurité des opérations de gréage. Pour truquer des informations, nous recommandons de consulter un manuel standard sur le sujet.

POLITIQUE DE RÉPARATION/REPLACEMENT DE CM

Tous les palans de la série 622A de Columbus McKinnon (CM) sont inspectés et testés avant leur expédition. Si un palan correctement entretenu présente un problème de performance, dans l'année suivant l'expédition, en raison d'un défaut matériel ou de fabrication, tel que vérifié par CM, la réparation ou le remplacement de l'unité sera effectué sans frais à l'acheteur original. Cette politique de réparation/remplacement s'applique uniquement aux palans de la série 622A installés, entretenus et exploités tel qu'indiqué dans ce manuel, et exclut spécifiquement les palans soumis à une usure normale, une utilisation inadéquate, un entretien inadéquat ou inadéquat, des effets environnementaux hostiles et des réparations/modifications non autorisées.

Nous nous réservons le droit de modifier les matériaux ou la conception si, à notre avis, de tels changements améliorent notre produit. L'abus, la réparation par une personne non autorisée ou l'utilisation de pièces de rechange non-CM annule la garantie et pourrait conduire à un fonctionnement dangereux. Pour connaître les conditions de vente complètes, se reporter à la section Accusé de réception des commandes. Se reporter également à la couverture arrière pour connaître les limites des garanties, des recours et des dommages, ainsi que l'indemnisation et l'utilisation sécuritaire.

DÉBALLAGE

Après avoir ouvert le carton, le palan doit être soigneusement inspecté afin de déceler tout dommage pouvant survenir pendant le transport ou la manutention. Il faut vérifier que le châssis du palan ne présente pas de bosses ou de fissures et inspecter la chaîne de levage pour déceler les entailles et les entailles. Si des dommages sont survenus lors de l'expédition, se référer à l'enveloppe de la liste de colisage sur la boîte pour la procédure de réclamation.

ATTENTION

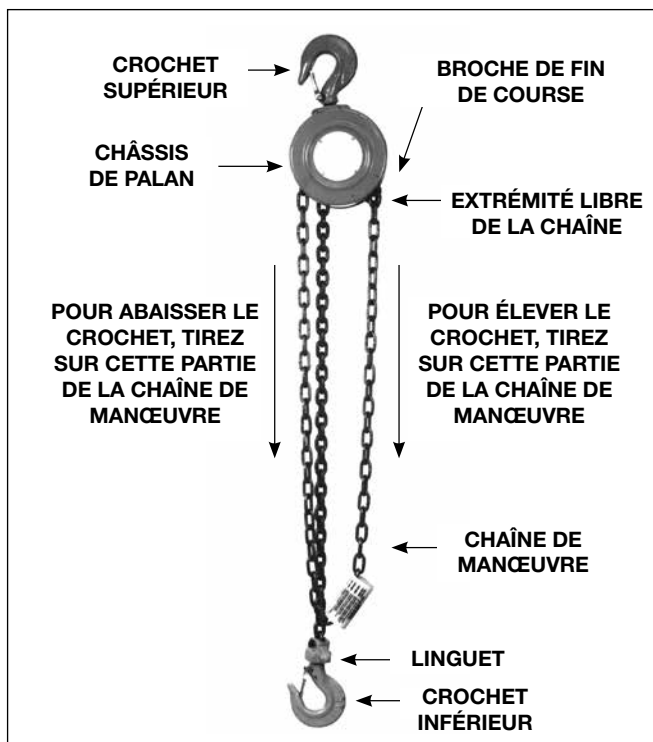
L'utilisation d'une unité présentant des dommages externes évidents peut entraîner une chute de la charge et des blessures corporelles et/ou des dommages matériels.

POUR ÉVITER LES BLESSURES :

Vérifier soigneusement l'unité pour les dommages externes avant l'installation.

MODE D'EMPLOI

Après le montage et avant la mise en service, il faut vérifier le bon fonctionnement du palan. Avant d'utiliser les unités de 3 et 5 tonnes, s'assurer que tous les brins de la chaîne sont droits et ne présentent pas de torsion (en raison d'un crochet chaviré). Si la chaîne est tordue, inverser le chavirement. Pour faire fonctionner le palan, il faut tirer sur la chaîne à main comme indiqué ci-dessous.



Faire fonctionner le palan sans charge, puis avec une charge légère d'environ 50 livres (23 kg) multipliée par le nombre de chaînes supportant la charge pour s'assurer qu'il fonctionne correctement et que le frein retient la charge lorsque la chaîne manuelle est relâchée; ensuite, utiliser une charge nominale comme indiqué sur la plaque de capacité.

ATTENTION

L'utilisation des palans de 3 et 5 tonnes dans le sens de levage avec le bloc de crochet en contact avec le cadre et/ou le dispositif de suspension peut casser la chaîne et laisser tomber la charge.

POUR ÉVITER LES BLESSURES :

Arrêter de travailler dans le sens de levage lorsque le bloc de crochet entre en contact avec le cadre de levage et/ou le crochet, comme indiqué par une augmentation soudaine de la traction de la chaîne manuelle ou du basculement du bloc de crochet

LES PROCÉDURES DE SÉCURITÉ

1. Le palan doit toujours être gréé pour soulever en ligne droite d'un crochet à l'autre. Le palan doit toujours pouvoir pivoter sur le crochet supérieur. En aucun cas, le châssis du palan ne devrait pouvoir supporter un quelconque support lors de son utilisation, car cela provoquerait une flexion du crochet ou du cadre et endommagerait l'unité.
2. En se préparant à soulever ou à déplacer une charge, s'assurer que les attaches aux deux crochets sont fermement insérées dans les selles des crochets. Éviter tout chargement excentré de quelque sorte que ce soit, en particulier le chargement sur l'extrémité du crochet. Observer également que la chaîne est droite (sans torsion) du palan au crochet inférieur.
3. En soulevant, soulever la charge juste assez pour dégager le plancher ou le support, et vérifier que le frein maintient la charge et que les attaches à la charge sont bien en place. Con
4. Ne pas charger au-delà de la capacité nominale du palan. La capacité nominale peut être accomplie avec les tirages de chaîne durs suivant :

Tonnes de charges nominales du palan (kg)	Chaîne manuelle pour soulever la charge nominale lb (kg)
1/2 (500)	50 (23)
1 (1000)	68 (31)
2 (2000)	103 (47)
3 (3000)	77 (35)
5 (5000)	86 (39)

Étant donné que cette chaîne manuelle peut facilement être utilisée par une seule personne, en aucun cas plus d'une personne ne doit utiliser la chaîne manuelle du palan. Une surcharge peut entraîner une défaillance immédiate de certaines pièces supportant la charge ou entraîner des dommages provoquant une défaillance future à une capacité inférieure à la capacité nominale. En cas de doute, utiliser le palan CM de plus grande capacité.

ATTENTION

Le dépassement de la capacité nominale du palan peut entraîner une chute de la charge.

POUR ÉVITER LES BLESSURES:

Ne pas dépasser les tractions de chaîne manuelles spécifiées au point 4 ci-dessus.

1. Ne pas enrouler la chaîne de levage autour de la charge ou mettre la charge en contact avec le palan. Cela entraînerait la perte de l'effet de pivotement du crochet, ce qui pourrait signifier une chaîne tordue et une roue de levage coincée. La chaîne pourrait être endommagée au crochet.
2. Rester à l'écart de toutes les charges et éviter de déplacer une charge sur la tête d'un autre membre du personnel. Avertir le personnel de votre intention de déplacer une charge dans leur région.
3. Ne pas laisser la charge dans l'air sans surveillance.
4. Ne pas abaisser le crochet à un point où la chaîne se tend entre la roue de levage et la goupille d'extrémité libre.
5. Ne pas faire passer le bloc de crochet inférieur dans le cadre de levage. Des dommages au cadre et/ou au guide-chaîne peuvent en résulter.
6. Le palan a été conçu pour un fonctionnement manuel uniquement.

ATTENTION

Le fonctionnement en puissance peut entraîner des dommages structurels ou une usure prématurée pouvant provoquer la rupture d'une pièce et permettre à la charge de tomber.

TO AVOID INJURY:

Utiliser les palans de la série 622A uniquement avec une alimentation manuelle.

7. Ne pas utiliser cet équipement ou tout autre équipement de manutention de matériel aérien pour soulever des personnes.
8. Ne pas laisser la charge s'appuyer sur le loquet du crochet. Le loquet doit aider à maintenir le crochet en position pendant que la chaîne est relâchée avant de la prendre.

ATTENTION

Le fait de laisser la charge s'appuyer contre le loquet du crochet et/ou l'extrémité du crochet peut entraîner une perte de charge.

POUR ÉVITER LES BLESSURES :

Ne pas laisser la charge s'appuyer contre le loquet du crochet et/ou l'extrémité du crochet. Appliquer la charge sur le bol du crochet ou la selle uniquement.

9. Ne jamais utiliser le palan lorsque des matériaux ou des vapeurs inflammables sont présents. Un contact pointu entre des pièces métalliques peut produire des étincelles pouvant provoquer un incendie ou une explosion.

10. **RESTER CONSCIENT!** Observer ce que vous faites et utiliser votre bon sens. Ne pas utiliser le palan lorsque vous êtes fatigué, distrait ou sous l'influence de drogues, d'alcool ou de médicaments causant une perte de contrôle.

ENTRETIEN

INSPECTION

Pour maintenir un fonctionnement continu et satisfaisant, une procédure d'inspection régulière doit être initiée afin que les pièces usées ou endommagées puissent être remplacées avant qu'elles ne deviennent dangereuses. Les intervalles d'inspection doivent être déterminés par l'application individuelle et dépendent du type de service auquel le palan sera soumis.

L'inspection des palans est divisée en deux classifications générales désignées comme « fréquentes » et « périodiques ».

INSPECTIONS FRÉQUENTES :

Ces inspections sont généralement des examens visuels effectués par l'opérateur ou un autre personnel désigné. Les inspections fréquentes doivent être effectuées quotidiennement ou mensuellement et doivent inclure les éléments suivants :

- a. Mécanismes de freinage pour prévenir le glissement - tous les jours.
- b. Chaîne de levage pour le lubrifiant, l'usure, les maillons endommagés ou les corps étrangers - tous les jours. Voir ci-dessous.
- c. Crochets pour les dommages, les fissures, les torsions, l'enclenchement du loquet et le fonctionnement du loquet - tous les mois. Voir ci-dessous.

Toute anomalie constatée doit être corrigée avant la remise en service du treuil.

INSPECTIONS PÉRIODIQUES :

Il s'agit d'inspections visuelles effectuées par une personne nommée qui enregistre les conditions externes apparentes pour servir de base à une évaluation continue. Pour le service normal, les inspections périodiques doivent être effectuées chaque année et pour les services intensifs, les inspections périodiques doivent être effectuées deux fois par an.

En raison de la construction du palan, il sera nécessaire de démonter partiellement l'unité pour effectuer les inspections périodiques. Les inspections périodiques doivent inclure les éléments énumérés dans les inspections fréquentes ainsi que les éléments suivants :

- a. Chaîne pour usure excessive ou étirement. Voir ci-dessous.
- b. Pièces usagées, fissurées ou déformées telles que des blocs de crochet, un dispositif de suspension, un guide-chaîne, un décolleur, une goupille d'extrémité libre, des poulies, des engrenages, un collier de crochet et des paliers.
- c. Inspecter l'usure de la pointe du cliquet, des dents du cliquet et des poches de la roue de levage et de la roue de levage.
- d. Boulons, écrous, goupilles ou rivets desserrés ou manquants.
- e. Inspecter les composants du frein pour détecter les disques de friction usés, vitrés ou contaminés et noter le moyeu d, le cliquet et le moyeu de friction. Remplacez les disques de friction si l'épaisseur est inférieure à 0,044 po (1,12 mm) sur les unités de 1/2 et 1 tonne et de 0,059 po (1,50 mm) sur les unités de 2, 3 et 5 tonnes..
- f. Ressort de cliquet corrodé, étiré ou cassé.
- g. Mouvement libre du cliquet sur le goujon du cliquet. En outre, appliquer une mince couche de lubrifiant sur le goujon du cliquet (voir page 27) avant de réassembler l'unité.
- h. Crochets - ressuage, particules magnétiques ou autres inspections de détection de fissures doivent être effectués au moins une fois par an, si des conditions externes indiquent une utilisation inhabituelle.

Toute anomalie constatée doit être corrigée avant la remise en service du treuil. De plus, les conditions externes peuvent indiquer la nécessité d'une inspection plus détaillée qui, à son tour, peut nécessiter l'utilisation d'essais de type non destructif.

Toute pièce jugée inutilisable doit être remplacée par de nouvelles pièces avant que l'unité ne soit remise en service. Il est très important que les pièces inutilisables soient détruites pour éviter toute utilisation future en tant qu'élément de réparation et correctement éliminées.

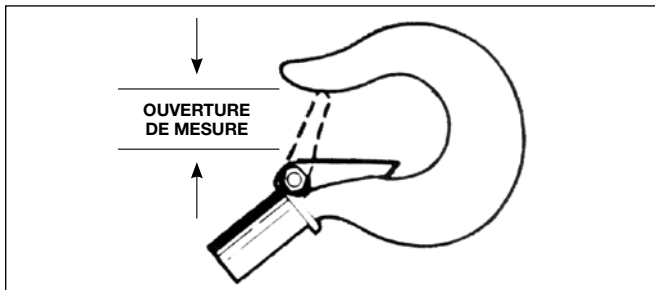
INSPECTION DE CROCHET

Les crochets endommagés par des produits chimiques, des déformations ou des fissures ou présentant une torsion de plus de 10° par rapport au plan du crochet déplié ou de l'ouverture ou de l'usure excessive du siège doivent être remplacés.

De même, les crochets qui sont ouverts et ceux qui permettent au loquet de désengager la pointe doivent être remplacés.

Tout crochet tordu ou présentant une ouverture excessive de la gorge indique un abus ou une surcharge de l'unité. Les autres composants du palan qui maintiennent la charge doivent être inspectés pour déceler tout dommage.

Le tableau ci-dessous devrait être utilisé pour déterminer quand le crochet doit être remplacé. Pour mesurer l'ouverture de la gorge, enfoncez le loquet contre le corps du crochet comme indiqué ci-dessous.



Tonnes de charges nominales du palan (kg)	Remplacer le crochet lorsque l'ouverture est supérieure à :	
	Pouces	mm
1/2 (500)	1.19	30.2
1 (1000)	1.34	34
2 (2000)	1.71	43.5
3 (3000)	2	50.9
5 (5000)	2.52	64

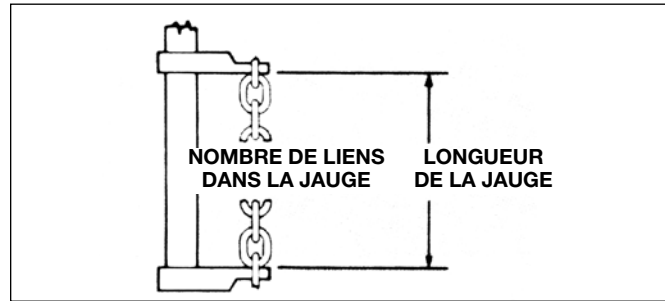
Vérifier également que le loquet n'est pas endommagé ou plié et qu'il fonctionne correctement avec une pression de ressort suffisante pour maintenir le loquet fermement contre la pointe du crochet et permettre au loquet de ressortir vers la pointe lorsqu'il est relâché. Si le loquet ne fonctionne pas correctement, il doit être remplacé.

CHAÎNE DE LEVAGE

NETTOYAGE ET INSPECTION

Nettoyer d'abord la chaîne de levage avec un solvant de type non acide ou non caustique, puis relâcher la chaîne et effectuer une inspection lien par lien pour les entailles, les goujures, les liaisons torsadées et l'usure excessive ou les étirements. La chaîne usée doit être gagée sur toute sa longueur et remplacée si elle dépasse les limites permises.

Pour déterminer si la chaîne de levage doit être maintenue en service, vérifier les longueurs de jauge comme indiqué sur la figure ci-dessous. La chaîne portée au-delà de la longueur indiquée, entaillée, gougée ou tordue doit être remplacée avant de remettre le palan en service. La chaîne doit être propre, libre de rebondissements et tendue avant de mesurer. Dans les cas où l'usure est localisée et pas au-delà des limites d'entretien, il est parfois possible d'inverser la chaîne de levage, bout à bout, et permettre à une nouvelle section de prendre l'usure. L'installation correcte de la chaîne de levage est décrite dans la section sur la chaîne de levage de la charge (page 28).



Tonne de charge nominale à monter (kg)	Diamètre stock de la chaîne - po. (mm)	No. de liens à jauger	Longueur maximale permise pour la chaîne po. (mm)
1/2 (500)	0.236 (6)	11	8.50 (215.9)
1 (1000)	0.236 (6)	11	8.50 (215.9)
2 (2000)	0.315 (8)	11	11.33 (287.9)
3 (3000)	0.315 (8)	11	11.33 (287.9)
5 (5000)	0.394 (10)	11	14.17 (359.9)
Hand Chain	0.198 (5)	11	11.55 (293.3)

Il faut noter que la chaîne usée peut être une indication des composants de levage portés. Pour cette raison, le galet de guidage de chaîne et la roue de levage du palan doivent être vérifiés et remplacés si nécessaire lors du remplacement de la chaîne usée.

En outre, les chaînes de levage sont spécialement traitées thermiquement et durcies et ne doivent jamais être réparées.

ATTENTION

L'utilisation d'une chaîne de levage autre que celle fournie par CM peut entraîner un blocage de la chaîne dans le palan et/ou permettre à la chaîne de se rompre et de faire tomber la charge.

POUR ÉVITER LES BLESSURES :

En raison des exigences de taille et des propriétés physiques, utiliser uniquement la chaîne de levage CM Hoistaloy® dans le palan manuel série 622A.

IMPORTANT : Ne pas utiliser la chaîne remplacée à d'autres fins telles que le levage ou la traction. La chaîne de levage peut casser brusquement sans déformation visuelle. Pour cette raison, il faut couper la chaîne remplacée en courtes longueurs pour éviter toute utilisation après l'élimination.

Avant de remettre la chaîne en service ou après le remplacement d'une chaîne de levage, lubrifier généreusement avec Lubriplate Bar et Chain Oil 10-R (Fiske Bros. Refining Co.) ou un lubrifiant équivalent. Enlever l'excédent de lubrifiant de la chaîne en l'essuyant avec un chiffon.

CHAÎNE MANUELLE

La chaîne manuelle doit être nettoyée, inspectée et reliée de la même manière que la chaîne de levage.

Comme reçu de l'usine, la chaîne manuelle contient un lien non soudé. Ce lien peut être placé dans un étau et tordu ouvert pour faciliter le changement de la longueur de la chaîne. Veuillez noter que l'ouverture et la fermeture du lien de connexion plus de deux fois ne sont pas recommandées. De même, les liens de connexion ne doivent pas être réalisés en coupant le côté soudé d'un maillon de chaîne manuelle standard.

La chaîne manuelle doit être assemblée à la roue de levage sans torsion avec la soudure sur le lien vertical vers l'intérieur vers la roue de levage et la soudure sur le lien horizontal vers la plaque latérale de la roue de levage.

Des précautions doivent être prises pour s'assurer qu'il n'y a pas de torsion dans la boucle de la chaîne manuelle.

LUBRIFICATION

ATTENTION

Les lubrifiants utilisés et recommandés pour le palan à main série 622A peuvent contenir des matières dangereuses qui exigent des procédures de manipulation et d'élimination spécifiées.

ÉVITER LE CONTACT ET LA CONTAMINATION:

Manipuler et éliminer les lubrifiants conformément aux instructions des fiches de données de sécurité applicables et conformément aux réglementations locales, nationales et fédérales en vigueur.

Lubrifier la chaîne de levage avec une couche légère de Lubriplate Bar et Chain Oil 10-R (Fiske Bros. Refining Co.) ou un lubrifiant égal. S'assurer que le lubrifiant atteint les surfaces d'appui entre les maillons. Enlever l'excès d'huile de la chaîne.

ATTENTION

Les huiles moteur usagées contiennent des substances cancérigènes inconnues..

POUR ÉVITER LES PROBLÈMES DE SANTÉ :

Ne jamais utiliser d'huiles moteur usagées comme lubrifiant de chaîne. Utiliser uniquement Lubriplate Bar et Chain Oil 10-R comme lubrifiant pour la chaîne de levage.

Le palan ne nécessite normalement aucune lubrification supplémentaire, sauf pour lubrifier périodiquement la chaîne de levage comme indiqué ci-dessus ou lorsque l'unité est démontée pour des inspections, des nettoyages ou des réparations périodiques.

Le frein est conçu pour fonctionner à sec. Ne pas utiliser de graisse ou de lubrifiant sur les surfaces de freinage. Lors de la lubrification de pièces adjacentes au frein, ne pas utiliser une quantité excessive de lubrifiant susceptible de s'infiltrer sur les surfaces de freinage.

ATTENTION

L'utilisation de graisse ou de lubrifiant sur les surfaces de freinage entraîne un glissement des freins et une perte de contrôle de la charge pouvant entraîner des blessures et/ou des dommages matériels..

POUR ÉVITER LES BLESSURES :

Ne pas utiliser de graisse ou de lubrifiant sur les surfaces de freinage. Le frein est conçu pour fonctionner à sec.

Lorsque le palan est démonté pour des inspections périodiques, vérifier le mouvement du cliquet et appliquez une légère couche de lubrifiant WD-40 (WD-40 Co.) sur le goujon du cliquet.

Lorsque le palan est démonté pour le nettoyage ou les réparations, les emplacements suivants doivent être lubrifiés en utilisant environ 1 oz. (29,5 ml) par palan de graisse Molykote BR-2-S (Dow Corning Corp.) ou des fils équivalents de la roue de levage; engrenages; rouleaux de roue de levage; rouleaux de roulement à engrenages; tourillons de guide-chaîne et goupille de cul-de-sac; rouleaux de roue à réa (3 et 5 tonnes); roulements à billes à crochet (3 et 5 tonnes); des tourillons à collier (3 et 5 tonnes); goujon mort (3 et 5 tonnes).

REMARQUE : Pour assurer une durée de vie extra longue et des performances optimales, veillez à lubrifier les différentes parties du palan à l'aide des lubrifiants spécifiés ci-dessus. Si désiré, ces lubrifiants peuvent être achetés chez CM.

NUMÉROS DE PIÈCES POUR LUBRIFIANTS CONDITIONNÉS

Utilisé dans les palans manuels série 622A

Utilisation de lubrifiant	Type de lubrifiant	Numéro de pièce et quantités emballées de lubrifiants
Engrenages, rouleaux de la roue de levage et paliers de vitesse	Lubrifiant (Moly ôte BR-2-S ou égale)	28606-1/2 lb. (.23Kg.) boîte 28618-1 lb. (.46Kg.) boîte
Clou de goujon	WD-40 ou équivalent	Obtenir localement - non stocké par CM
Chaîne de levage	Huile (Barre Lubriplate et huile de chaîne 10-R ou équivalent)	28608-1 pinte. (5L.) boîte 28619-1 gal. (3.8L.) boîte

DÉMONTAGE

Deux points de prudence à observer lors du démontage sont :

1. Les rouleaux desserrés et les billes de roulement sont utilisés à divers endroits dans les unités. Des précautions doivent être prises pour ne pas les perdre ou les égarer, car ils peuvent tomber de l'unité lorsque les différentes pièces sont démontées. Le nombre de rouleaux ou de billes utilisés est :

Charge nominale de montage - Tonnes (kg)	Emplacement	Rouleaux requis (*Rouleau #Aiguille)
1/2 (500)	Attache crochet Course de roulement	*9 Chaque #11 Chaque
1 (1000)	Attache crochet Course de roulement Roulement intérieur	*9 Chaque #11 Chaque *30 Chaque
2 (2000)	Attache crochet Course de roulement Roulement intérieur Roue de poulie	*9 Chaque #11 Chaque *30 Chaque #27
3 (3000)	Attache crochet Course de roulement Roulement intérieur Roue de poulie	*15 Chaque #12 Chaque *30 Chaque #24
5 (5000)	Attache crochet Course de roulement Roulement intérieur Roue de poulie	*16 Chaque #11 Chaque *35 Chaque #29

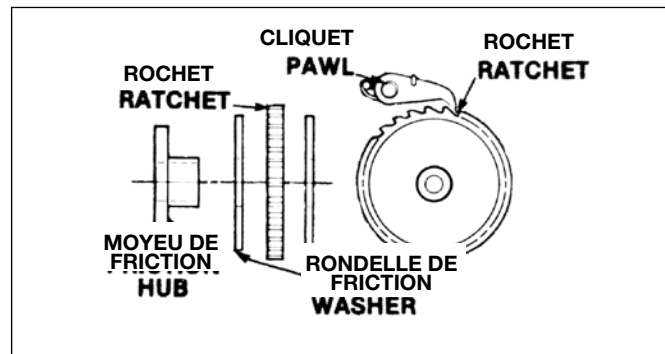
*Billes de roulement

Le verrou est fixé au crochet (supérieur et inférieur) par un rivet. Pour enlever le verrou, il faut enlever la tête du rivet par meulage ou perçage. Pour le remplacement du loquet, se reporter au paragraphe 4 des Instructions de montage.

ASSEMBLAGE

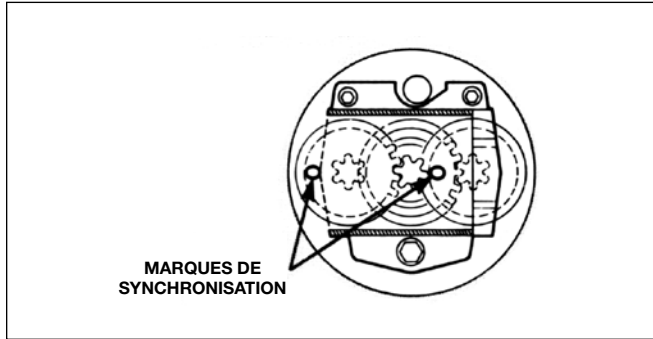
Lors de l'assemblage du palan, il faut tenir compte des points suivants

1. Assembler les composants du frein comme indiqué ci-dessous. Les dents du rochet doivent faire face comme indiqué et engager le cliquet. Ne pas lubrifier les surfaces de freinage. Le frein fonctionne à sec. Assembler la roue de levage à la poulie du pignon et tourner la roue de levage pour asseoir les composants du frein. Assembler l'écrou de la poulie de pignon jusqu'à ce que l'écrou soit au fond. Ensuite, enlever l'écrou d'au moins un, mais pas plus de deux plats. Insérer la goupille fendue et plier les extrémités pour les fixer.



* Le palan de 1/2 tonne à deux cliquets espacés de 180°.

1. Les engrenages intermédiaires ont des marques de synchronisation (la lettre «O» estampillée sur une dent). Les engrenages doivent être assemblés avec ces marques orientées comme indiqué ci-dessous.

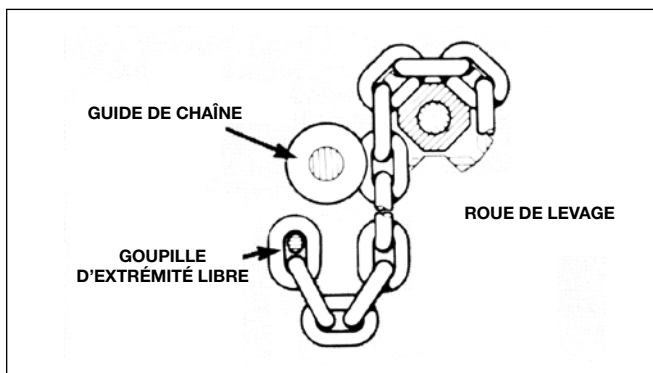


2. Pour un fonctionnement correct, le nombre correct de rouleaux doit être installé aux points de rotation de la roue de levage, des engrenages intermédiaires, de la poulie de blocage (3 et 5 tonnes) et de la poulie de suspension (10 tonnes). De plus, sur les unités de 3 et 5 tonnes, le nombre correct de billes de roulement doit être installé dans le collier du crochet pour retenir le crochet et assurer un chargement correct. Se reporter aux instructions de démontage ci-dessus pour le nombre de rouleaux à ces endroits. L'application du lubrifiant, Molykote BR-2-S (Dow Corning Corp.) ou d'un lubrifiant EP équivalent, sur les rouleaux ou les billes de palier les aidera à rester en place pendant l'assemblage.
3. Lors de l'assemblage du loquet au crochet, l'extrémité du rivet doit être grenailée. Lors du martelage sur le rivet, appliquez seulement assez de force pour former la tête et retenir le rivet. Une force excessive déformera le verrou et rendra le verrou inopérant.

CHAÎNE DE CHARGE DE REEVING

A. 1/2, 1, 2 PALANS À TONNE (REEVE UNIQUE)

Attacher environ 20 « (508 mm) de fil souple à l'extrémité libre de la chaîne. Faire passer le fil par-dessus la roue de levage et descendre entre la roue de levage et le guide-chaîne. Positionner la chaîne de sorte que la première, ainsi que la troisième, se tient sur le bord avec la soudure éloignée de la roue de levage et que la deuxième liaison repose à plat sur la roue de levage. Une fois la chaîne démarrée, tirer la chaîne à la main dans la direction de levage jusqu'à ce que la chaîne soit à environ 2 pieds (0,6 m) de la chaîne de levage. Le fil devrait maintenant être retiré de la chaîne. Retirer la goupille fendue de la goupille d'extrémité libre et faites glisser la goupille d'extrémité libre vers le côté dans le carter d'engrenage, en laissant environ 12,7 mm (1/2 po) de la goupille dépasser de la plaque latérale à engrenages. Boucler la chaîne en vous assurant qu'il n'y a pas de torsion jusqu'à la goupille d'extrémité libre et glisser la goupille dans le dernier maillon de la chaîne. Faites glisser la goupille d'extrémité libre dans le trou de la plaque latérale de la roue de levage jusqu'à ce que le trou de la goupille fendue soit visible. Fixer la goupille d'extrémité libre en réinstallant la goupille fendue et en écartant les pattes de la goupille fendue.



ATTENTION

Si la chaîne de levage n'est pas correctement installée entre le guide-chaîne et la roue de levage, la chaîne risque de se détacher des poches de la roue et de laisser tomber la charge.

POUR ÉVITER LES BLESSURES :

Faites passer la chaîne de levage entre la roue de levage et le guide-chaîne, comme indiqué ci-dessus, avant de l'attacher à la goupille d'extrémité libre.

B. 2 (REEVE DOUBLE), 3 ET 5 TONNES

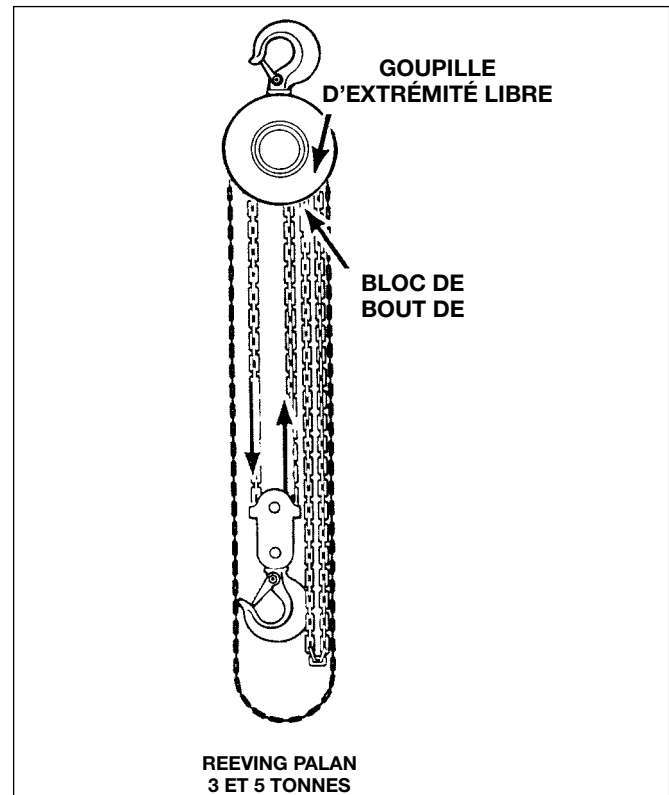
La chaîne de levage doit avoir un nombre impair de liens. Après avoir attaché la chaîne à la goupille d'extrémité libre ci-dessus, il faut opérer dans la direction de levage jusqu'à ce que l'extrémité de charge de la chaîne ait une longueur d'environ 5 pieds (1,5 m). Passer la chaîne à travers le bloc de crochet (le premier maillon autour de la poulie doit rester sur le bord) et jusqu'au bloc de cul-de-sac. Fixer la chaîne au bloc de bout en utilisant le goujon, l'écrou et la goupille fendue. Voir l'illustration ci-dessous.

ATTENTION

Sur les unités de 3 et 5 tonnes, la chaîne de levage torsadée entraînera un blocage de la chaîne dans la roue de levage ou les roues de poulie, ce qui pourrait casser la chaîne et permettre à la charge de tomber.

POUR ÉVITER LES BLESSURES :

Vérifier chaque étape de vitesse de la chaîne pour être sûr qu'il n'y a pas de rebondissements.



FINITION EXTÉRIEURE

Les surfaces extérieures des palans ont une finition durable et résistante aux rayures. Normalement, les surfaces extérieures peuvent être nettoyées en essuyant avec un chiffon. Cependant, si la finition est endommagée, une peinture de retouche compatible peut être achetée chez CM. Commander une caisse (bombes aérosol de 12 à 12 oz liq. -354 ml) de peinture de retouche orange numéro de pièce 84190. La peinture de retouche est seulement disponible en quantité. Voir ci-dessous pour commander des informations.

MAINTENANCE PRÉVENTIVE

En plus de la procédure d'inspection périodique, un programme de maintenance préventive devrait être mis en place pour prolonger la durée de vie du palan et maintenir sa fiabilité et son utilisation en toute sécurité. Le programme devrait inclure les inspections périodiques en portant une attention particulière à la lubrification des divers composants en utilisant les lubrifiants recommandés.

ESSAI

Avant utilisation, tous les palans altérés, réparés ou usagés qui n'ont pas été utilisés pendant les 12 derniers mois doivent être testés par l'utilisateur pour un fonctionnement correct. Tester d'abord l'unité sans charge, puis avec une charge légère de 50 kg (23 kg) multipliée par le nombre de chaînes de support de charge pour vous assurer que le palan fonctionne correctement et que le frein retient la charge lorsque la chaîne manuelle est relâchée. Prochain test avec une charge de 125 % de la capacité nominale. De plus, les palans dans lesquels des pièces de soutien de charge ont été remplacées doivent être testés avec 125 % de la capacité nominale par ou sous la direction d'une personne désignée et un rapport écrit préparé à des fins d'enregistrement.

REMARQUE : Pour plus d'informations sur l'inspection et les essais, se reporter au code B30.16 «Palans à câble», disponible auprès du service des commandes de l'ASME, 22 Law.

LISTE DES PIÈCES DE RÉPARATION

ATTENTION

L'utilisation de pièces «commerciales» ou d'autres pièces du fabricant pour réparer les palans CM 622A peut entraîner une perte de charge.

POUR ÉVITER LES BLESSURES :

N'utilisez que des pièces de rechange fournies par CM. Les pièces peuvent se ressembler, mais les pièces CM sont faites de matériaux spécifiques ou traitées pour obtenir des propriétés spécifiques.

INSTRUCTIONS DE COMMANDE

Les informations suivantes doivent accompagner toutes les commandes de correspondance pour les pièces de rechange :

1. Numéro de modèle du palan à partir de la plaque d'identification.
2. Numéro de série du palan estampillé sous la plaque d'identification.
3. Longueur de levage.
4. Numéro de pièce de la pièce de la liste de pièces.
5. Nombre de pièces requises.
6. Nom de pièce de la liste de pièces.

REMARQUE : Lors de la commande de pièces de rechange, il est recommandé de prendre en considération la nécessité de commander des éléments tels que les joints, les fixations, les isolateurs, etc. Ces éléments peuvent être endommagés ou perdus lors du démontage un service.

PIÈCES DE RECHANGE RECOMMANDÉES

Pour assurer un fonctionnement continu, il est recommandé de toujours garder à portée de la main deux rondelles de friction pour chaque palan à main de la série 622A afin de remplacer les rondelles de friction usées, contaminées ou glacées. Voir ci-dessous pour commander des informations.

Ensemble de freins
Rondelle de friction
Kit de verrou
Ensemble de crochet supérieur et inférieur

ATTENTION

Les modifications ou alternatifs de l'équipement et l'utilisation de pièces autres que les pièces de rechange du palan à levier CM® 622A peuvent entraîner un fonctionnement dangereux et des blessures.

POUR ÉVITER LES BLESSURES :

Ne pas alterner ou modifier l'équipement. Il ne faut qu'utiliser que des pièces de rechange fournies dans la série CM® 622A.

**PARTS
STAR**
BY COLUMBUS MCKINNON

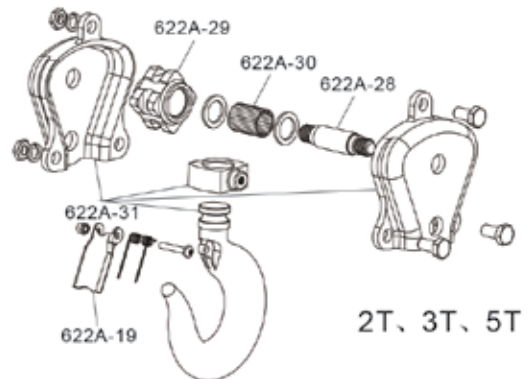
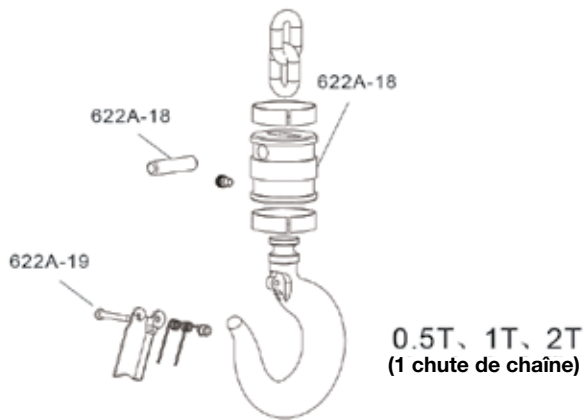
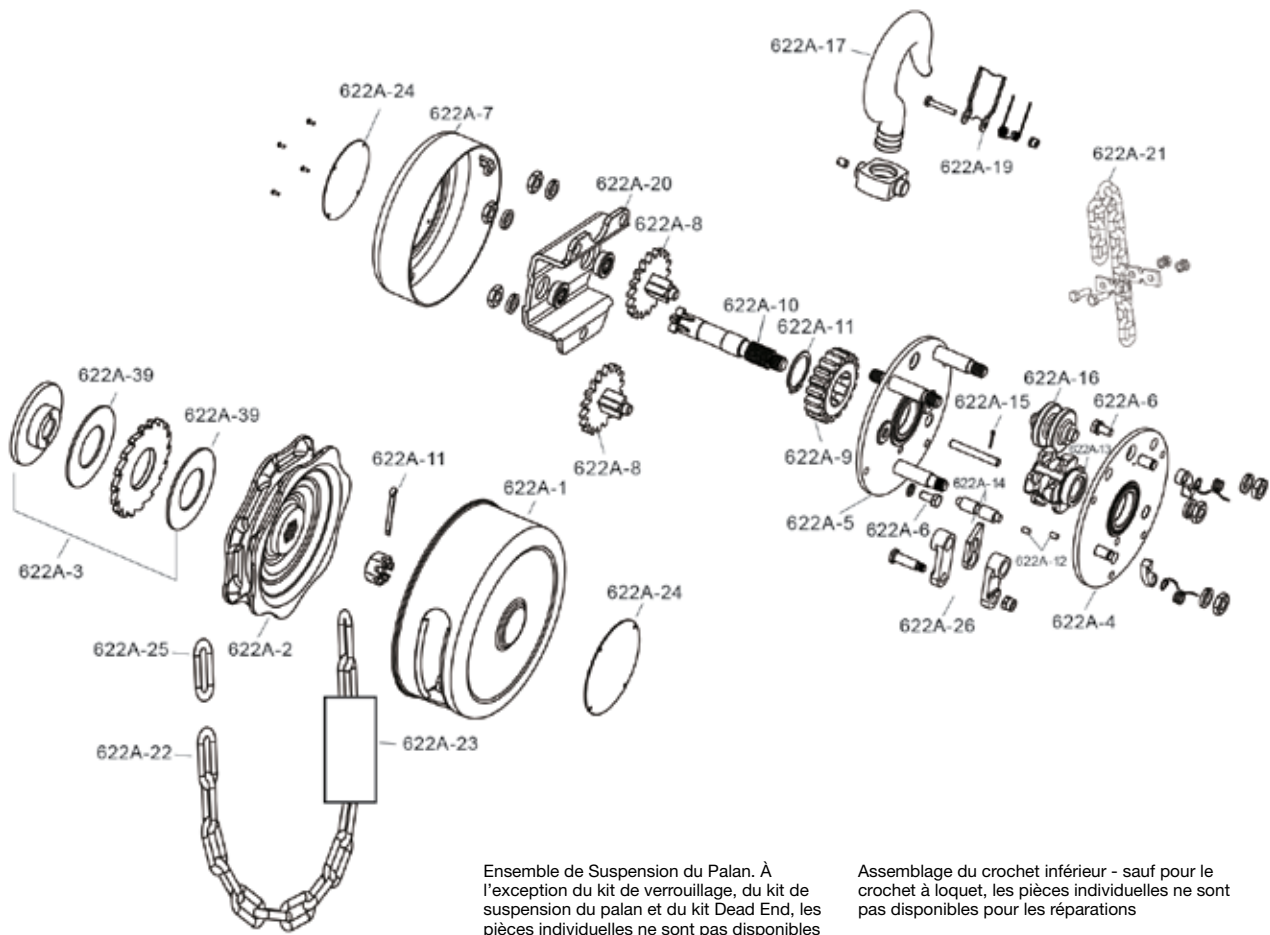
LISTE DES PIÈCES DU PALAN MANUEL SÉRIE 622A

Key No.	Qty	Description	Part Number Rated Load – Tons (kg)				
			1/2 (500)	1 (1000)	2 (2000) Single-Reeve	3 (3000)	5 (5000)
622A-1	1	Couverture de roue manuelle avec des ancrés	22910A	22791A	22812A		22510A
622A-2	1	Roue manuelle	22911A	22792A	22813A		22511A
622A-3	1	Ensemble de freins (2 rondelles de friction, cliquet et moyeu)	22912A	22793A	22814A		22512A
622A-4	1	Plaque latérale de roue (inclus la course de roulement, le ressort de cliquet et le cliquet, la goupille de cliquet)	22913A	22794A	22890A	22931A	22935A
622A-5	1	Plaque latérale d'engrenage (comprend la bague de roulement, 2 bagues et 3 goujons)	22914A	22761A	22891A	22932A	22936A
622A-6	1	Ensemble de quinquillerie principal (2 boulons de couvercle d'engrenage, 3 boulons de couvercle de roue et rondelles)	22775A	22796A	22796A		22817A
622A-7	1	Couvercle d'engrenage avec ancrés	22915A	22797A	22818A		22515A
622A-8	2	Disque d'engrenage	22916A	22798A	22819A		22516A
622A-9	1	Engrenage cannelé	22940A	22799A	22820A		22517A
622A-10	1	Pignon d'arbre	22917A	22800A	22821A		22518A
622A-11	1	Ensemble de quinquillerie de roue de pignon et d'élèveur (écrou de poulie de pignon, goupille fendue et circlip de roue de relevage)	22918A	22801A		22811A	22519A
622A-12	1	Kit de rouleaux de roue de relevage (60 rouleaux pour 1t-3t, 70 rouleaux pour 5 t)	-	22802A	22823A		22520A
622A-13	1	Élèveur de la roue (inclut 2 courses de roulement pour 1-5t)	22919A	22803A	22824A		22521A
622A-14	1	Ensemble décapant	22920A	22804A	22825A		22522A
622A-15	1	Goupille d'extrémité libre (comprend 2 goupilles fendues)	22921A	22805A	22927A		22523A
622A-16	1	Rouleau de guide de chaîne	22922A	22806A	22827A		22524A
622A-17	1	Ensemble de crochet supérieur (inclut crochet avec loquet, bloc de crochet, billes de roulement, vis de réglage)	22923A	22807A	22892A	22836A	22847A
622A-18	1	Crochet inférieur (inclut crochet avec loquet, bloc de crochet, goupille de chaîne, billes de roulement, vis de réglage)	22787A	22808A	22893A	-	-
622A-19	1	Loquet (Loquet, ressort, vis, écrou)	22928A	22929A	22930A	22933A	22934A
622A-20	1	Cage à engrenages avec bagues et rouleaux	22924A	22810A	22829A	22829A	22526A
622A-21	1	Chaîne de levage (spécifier le levage ou la longueur)	85959	85959	635131	635131	85690
622A-22	1	Chaîne manuelle (spécifier le levage ou la longueur)	85832A	85832A	85832A	85832A	85832A
622A-23	1	Tube d'avertissement	22296	22296	22296	22296	22296
622A-24	1	Kit d'étiquettes (étiquettes de capacité et d'avertissement, 8 vis d'entraînement)	22603A	22604A	22609A	22610A	22611A
622A-25	1	Maillon de connexion de chaîne manuelle	661019A	661019A	661019A	661019A	661019A
622A-26	1	Kit Dead End (comprend 2 plaques d'ancrage, goujon et écrou)	-	-	-	22882A	22527A
622A-28	1	Poulie de réa pour 2 tonnes - 5 tonnes	-	-	-	22883A	22528A
622A-29	1	Roue à réa pour 2 tonnes - 5 tonnes	-	-	-	22884A	22529A
622A-30	1	Kit de quinquillerie de poulie de réa (inclut des rouleaux, 2 anneaux de retenue, 27 rouleaux pour 2 tonnes, 24 rouleaux pour 3 tonnes, 29 rouleaux pour 5 tonnes)	-	-	-	22885A	22539A
622A-31	1	Ensemble de crochet inférieur pour 2 tonnes, 3 tonnes, 5 tonnes (inclut crochet avec loquet, crochet de crochet, bloc de crochet, boules de roulement et vis de réglage)	-	-	-	22844A	22850A
622A-39	2	Rondelle de friction	22867A	22868A	22869A	22869A	22870A

FRANÇAIS

LISTE DES PIÈCES DU PALAN MANUEL SÉRIE 622A

FRANÇAIS



REMARQUE : outils métriques requis pour les fixations.

WARRANTY

LIMITATION OF WARRANTIES, REMEDIES AND DAMAGES

INDEMNIFICATION AND SAFE OPERATION

Buyer shall comply with and require its employees to comply with directions set forth in instructions and manuals furnished by Seller and shall use and require its employees to follow such instructions and manuals and to use reasonable care in the use and maintenance of the goods. Buyer shall not remove or permit anyone to remove any warning or instruction signs on the goods. In the event of personal injury or damage to property or business arising from the use of the goods, Buyer shall within 48 hours thereafter give Seller written notice of such injury or damage. Buyer shall cooperate with Seller in investigating any such injury or damage and in the defense of any claims arising therefrom.

If Buyer fails to comply with this section or if any injury or damage is caused, in whole or in part, by Buyer's failure to comply with applicable federal or state safety requirements, Buyer shall indemnify and hold Seller harmless against any claims, loss or expense for injury or damage arising from the use of the goods.

CMCO Warranty (HOISTS)

A. Columbus McKinnon Corporation ("Seller") warrants to the original end user ("Buyer") that, for a period of one (1) year from the date of Seller's delivery of the goods (collectively, the "Goods") to the carrier, the Goods will be free from defects in workmanship and materials.

B. IN THE EVENT OF ANY BREACH OF SUCH WARRANTY, SELLER'S SOLE OBLIGATION SHALL BE EXCLUSIVELY LIMITED TO, AT THE OPTION OF SELLER, REPAIR OR REPLACEMENT, F.O.B. SELLER'S POINT OF SHIPMENT, OF ANY GOODS THAT SELLER DETERMINES TO HAVE BEEN DEFECTIVE OR, IF SELLER DETERMINES THAT SUCH REPAIR OR REPLACEMENT IS NOT FEASIBLE, TO A REFUND OF THE PURCHASE PRICE UPON RETURN OF THE GOODS TO SELLER. NO CLAIM AGAINST SELLER FOR ANY BREACH OF (i) SUCH WARRANTY WITH RESPECT TO THE ELECTRICAL COMPONENTS OF ANY GOOD SHALL BE VALID OR ENFORCEABLE UNLESS BUYER'S WRITTEN NOTICE THEREOF IS RECEIVED BY SELLER WITHIN ONE (1) YEAR FROM THE DATE OF SELLER'S DELIVERY TO THE CARRIER AND (ii) SUCH WARRANTY WITH RESPECT TO THE MECHANICAL COMPONENTS OF ANY GOOD SHALL BE VALID OR ENFORCEABLE UNLESS BUYER'S WRITTEN NOTICE THEREOF IS RECEIVED BY SELLER WITHIN ONE (1) YEAR FROM THE DATE THE DATE ANY ALLEGED CLAIM ACCRUES. EXCEPT FOR THE WARRANTY SET FORTH ABOVE, SELLER MAKES NO OTHER WARRANTIES WITH RESPECT TO THE GOODS, WHETHER EXPRESSED OR IMPLIED, INCLUDING ANY WARRANTIES OF MERCHANTABILITY, FITNESS FOR A PARTICULAR PURPOSE, QUALITY AND/OR THOSE ARISING BY STATUTE OR OTHERWISE BY LAW OR FROM ANY COURSE OF DEALING OR USE OF TRADE, ALL OF WHICH ARE HEREBY EXPRESSLY DISCLAIMED.

C. IN NO EVENT SHALL SELLER BE LIABLE TO BUYER OR ANY THIRD PARTY WITH RESPECT TO ANY GOOD, WHETHER IN CONTRACT, TORT OR OTHER THEORY OF LAW, FOR LOSS OF PROFITS OR LOSS OF USE, OR FOR ANY INCIDENTAL, CONSEQUENTIAL, SPECIAL, DIRECT OR INDIRECT DAMAGES, HOWSOEVER CAUSED. SELLER'S MAXIMUM LIABILITY TO BUYER WITH RESPECT TO THE GOODS SHALL IN NO EVENT EXCEED THE PRICE PAID BY BUYER FOR THE GOODS THAT ARE THE SUBJECT OF THE APPLICABLE CLAIM.

D. Seller shall not be liable for any damage, injury or loss arising out of the use of the Goods if, prior to such damage, injury or loss, such Goods are: (1) damaged or misused following Seller's delivery to the carrier; (2) not maintained, inspected, or used in compliance with applicable law and Seller's written instructions and recommendations; or (3) installed, repaired, altered or modified (a) with any part or accessory other than those supplied by Seller or (b) without compliance with such laws, instructions or recommendations.

E. This warranty is limited and provided only to the original end user. **Each Good must be registered within sixty (60) days of receipt of each product to establish eligibility.** Please register at www.cmworks.com/hoist-warranty-registration or submit registration card via US mail.

F. Any action against Seller for breach of warranty, negligence or otherwise in connection with the electrical components of any Good must be commenced by Buyer within one (1) year after: (a) the date any alleged claim accrues; or (b) the date of delivery of the Goods to Buyer, whichever is earlier. Any action against Seller for breach of warranty, negligence or otherwise in connection with the mechanical components of any Good must be commenced by Buyer within one (1) year after the date any alleged claim accrues.

G. This warranty is contingent upon Buyer's proper maintenance and care of the Goods, and does not extend to normal wear and tear. Seller reserves the right, at its option, to void this warranty in the event of Buyer's use with the Goods of parts or accessories other than those supplied by Seller.

WARNING

Alterations or modifications of equipment and use of nonfactory repair parts can lead to dangerous operation and injury.

TO AVOID INJURY:

- Do not alter or modify equipment.
- Do use only factory replacement parts.



FAMILY OF BRANDS



USA: Ph: (800) 888.0985 • (716) 689.5400 • Fax: (716) 689.5644 • www.cmworks.com

CANADA: Ph: (877) 264.6478 • Fax: (877) 264.6477 • www.cmworks.com