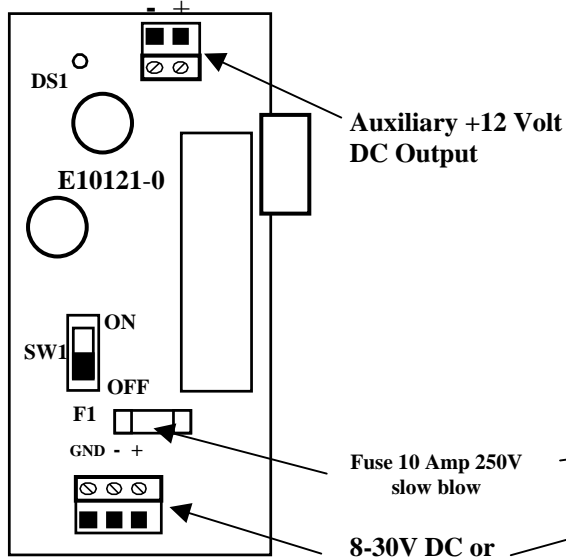
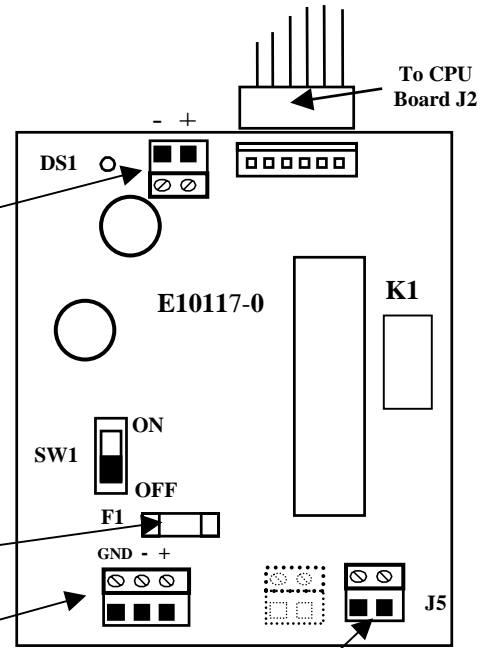


## DC and Low Voltage AC Power Supply Boards Setup Information.

The two styles of DC and Low Voltage AC Power Supply Boards are shown in Figures 1 and 2.



**Figure 1. Power Supply E10121-0**



**Figure 2. Power Supply E10117-0**

### Operation

These power supplies can be operated from an 8 to 30 Volt DC or 10 to 22 Volt AC power source. For DC operation the positive input voltage of the power source is connected to the plus (+) terminal, the negative is connected to the minus (-) terminal. For AC operation connect the high side of the AC line to the plus (+) terminal and the low or grounded side to the minus (-) terminal. Please refer to the connector labeling for proper connection points. Switch S1 turns OFF the 12 V DC output.

**Indicators.** The LED on the board indicates the following:

LED	COLOR	FUNCTION
DS1	Green	Monitors regulated 12 VDC. Normally ON. Check fuse, wiring to unit and power to unit.

### Test Points

Test points 1, 2 and 3 are for measuring the unregulated DC input and regulated 12 Volt DC output. TP1 is ground and TP2 is unregulated DC input and TP3 is regulated +12 V DC.

### Output Relay.

For the E10117 board an auxiliary relay (K1) is provided. Relay K1 is normally open, turning the receiver ON closes the contacts of this relay (K1). Turning the receiver OFF opens the contacts. These contacts are brought out to J5. Both sides of the relay contacts are isolated from ground and floating. This relay can be used to drive an external indicator that the unit is ON or can be used as a master power relay to the cranes main contactor. This relay is rated at 16 Amps 277VAC/27VDC and is un-fused or protected. If using this relay to drive a contactor please add the appropriate suppression for the voltage used.