

T 5 ex



Kettenzüge
Chain Hoists

Originalteilleiste
Original Parts List





Originalteile
Original parts
T5 ex

Zone 1



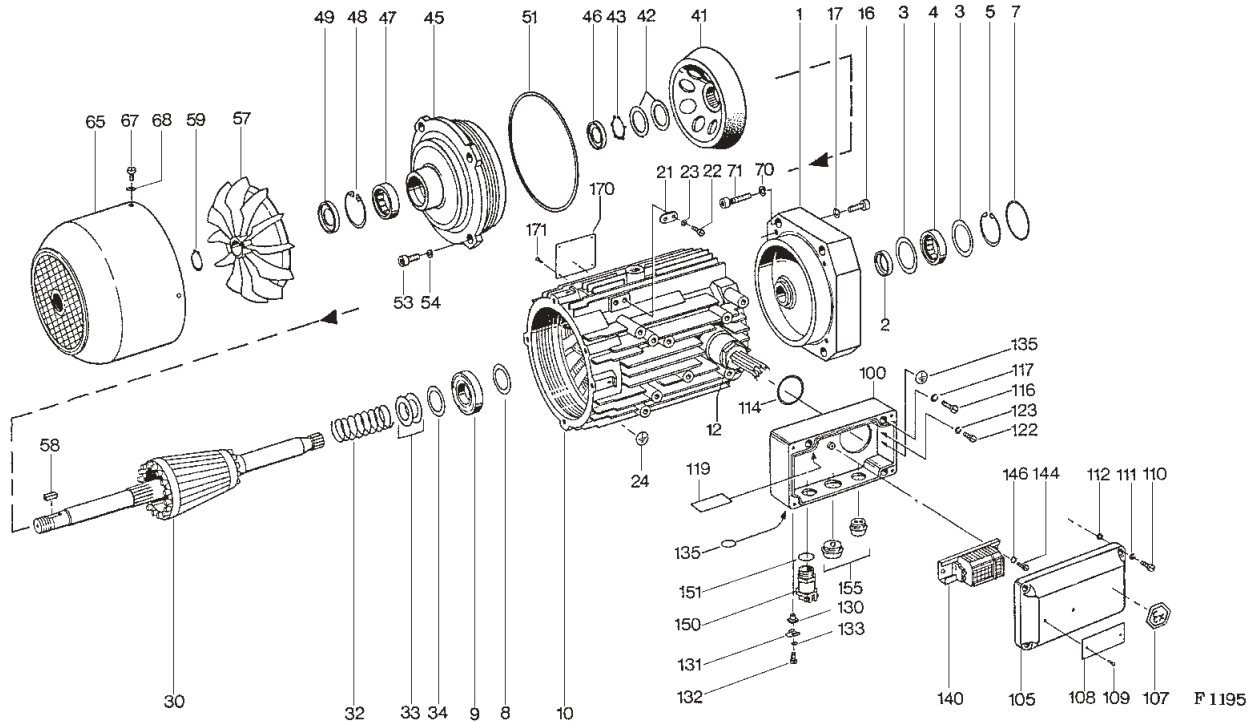
Austausch und Reparaturen nur von geschultem Personal ausführen lassen.

Replacement and repairs may only be carried out by trained personnel.

Die Angaben in der Spalte "Benennung" dienen nur internen Vorgängen.

The information in the column "Designation" is only for internal use.

A1 ex



| Pos | Teil-Nummer Part-Number | Stück Piece | Beschreibung Description | Benennung Designation | Designation |
|-----|----------------------------|----------------|-----------------------------------|--------------------------|-----------------------|
| | 41 330 30 11 2 | 1 | 2A1 IIB *1 1) (Pos.1-10,16-71) | Motor | Motor |
| | 41 330 32 11 2 | 1 | 2A1 IIC *1 1) (Pos.1-10,16-71) | | |
| | 41 330 31 11 2 | 1 | 2/12A1 IIB *1 1) (Pos.1-10,16-71) | Motor | Motor |
| | 41 330 33 11 2 | 1 | 2/12A1 IIC *1 1) (Pos.1-10,16-71) | | |
| 1 | 41 331 21 03 0 | 1 | | Motorflansch | Motor flange |
| 2 | 561 854 0 | 1 | A22x40x8 DIN 3760 | Wellendichtring | Shaft seal |
| 3 | 506 805 0 | 1 | 28x40x0,5 DIN 988 | Paßscheibe | Adjusting washer |
| 4 | 560 844 0 | 1 | RNU 203 E DIN 5412 | Zyl-Rollenlager | Roller bearing |
| 5 | 506 262 0 | 1 | 40x1,75 DIN 472 | Sicherungsring | Locking ring |
| 7 | 515 946 0 | 1 | 55x2 NB70 | Runddichtring | Round sealing ring |
| 8 | 507 837 0 | 1 | 37x47x0,3 DIN 988 | Paßscheibe | Adjusting washer |
| 9 | 560 951 0 | 1 | 6005-2RS DIN 625 | Rillenkugellager | Grooved ball bearing |
| 10 | 41 330 77 12 9 | 1 | 2A1 (Pos.12,100+140) | Stator | Stator |
| | 41 330 76 12 9 | 1 | 2/12A1 (Pos.12,100+140) | | |
| 12 | 519 073 0 | 1 | 2A1 | Aderleitungsdurchführung | Conductor bushing |
| | 519 074 0 | 1 | 2/12A1 | | |
| 16 | 500 234 0 | 4 | M8x25 DIN 912-8.8 | Zyl-Schraube | Socket head cap screw |
| 17 | 506 459 0 | 4 | 8 DIN 7980 | Federring | Spring washer |
| 21 | 65 909 15 98 0 | 2 | | Lasche | Clip |
| 22 | 502 078 0 | 2 | M6x12 DIN 84-4.8 | Zyl-Schraube | Cheese head cap screw |
| 23 | 506 335 0 | 2 | 6 DIN 7980 | Federring | Spring washer |
| 24 | 520 906 0 | 1 | 3 S 8 | Schild | Sign |
| 30 | 41 330 20 13 0 | 1 | | Rotor | Rotor |
| | 41 330 22 13 0 | 1 | 2)3) | | |
| | 41 330 21 13 0 | 1 | 2)4) | | |
| | 41 330 21 13 0 | 1 | 2)5) | | |



| Pos | Teil-Nummer Part-Number | Stück Piece | Beschreibung Description | Benennung Designation | Designation |
|-----|----------------------------|----------------|-----------------------------|--------------------------|--------------------------|
| 32 | 41 331 00 94 0 | 1 | | Druckfeder | Pressure spring |
| 33 | 562 955 0 | 2 | | Tellerfeder | Belleville spring washer |
| 34 | 507 804 0 | 1 | A22 | Sprengring | Snap ring |
| 39 | 506 097 0 | 1 | 25x1,2 | Sicherungsring | Locking ring |
| 41 | 41 330 20 18 0 | 1 | | Bremsscheibe | Brake disc |
| 42 | 562 939 0 | 2 | | Tellerfeder | Belleville spring washer |
| 43 | 506 097 0 | 1 | 25x1,2 | Sicherungsring | Locking ring |
| 45 | 41 330 03 37 0 | 1 | | Motordeckel | Motor cover |
| | 41 330 02 37 0 | 1 | 6) | | |
| 46 | 561 060 0 | 1 | A19x35x7 | Wellendichtring | Shaft seal |
| 47 | 560 843 0 | 1 | RNU 202 E | Zyl- Rollenlager | Roller bearing |
| 48 | 506 261 0 | 1 | 35x1,5 | Sicherungsring | Locking ring |
| 49 | 561 060 0 | 1 | A19x35x7 | Wellendichtring | Shaft seal |
| 51 | 515 980 0 | 1 | 160x4 | Runddichtring | Round sealing ring |
| 53 | 500 230 0 | 4 | M6x12 | Zyl-Schraube | Socket head cap screw |
| 54 | 506 335 0 | 4 | 6 | Federring | Spring washer |
| 56 | 506 844 0 | 1 | 15x21x1,5 | Stützscheibe | Supporting ring |
| 57 | 576 030 0 | 1 | V100R/15 | Lüfterrad | Fan wheel |
| 58 | 537 936 0 | 1 | 5x6,5 | Scheibenfeder | Woodruf key |
| 59 | 506 093 0 | 1 | 15x1 | Sicherungsring | Locking ring |
| 65 | 41 331 20 40 0 | 1 | | Lüfterhaube | Fan cowling |
| 67 | 500 419 0 | 4 | M5x8 | Skt-Schraube | Hexagon head cap screw |
| 68 | 506 900 0 | 4 | 5 | Federring | Spring washer |
| 70 | 506 459 0 | 4 | 8 | Federring | Spring washer |
| 71 | 500 234 0 | 4 | M8x25 | Zyl-Schraube | Socket head cap screw |
| 100 | 02 220 20 02 0 | 1 | | Anschlußkasten | Terminal box |
| 105 | 02 220 20 21 0 | 1 | | Anschlußkastendeckel | Terminal box cover |
| 107 | 25 339 25 42 0 | 1 | EEX | Schild | Sign |
| 108 | 43 339 20 42 0 | 1 | | Anweisungsschild | Information sign |
| 109 | 504 999 0 | 4 | 2x4 | Kerbnagel | Grooved drive stud |
| 110 | 502 072 0 | 4 | M5x20 | Zyl-Schraube | Cheese head cap screw |
| 111 | 506 900 0 | 4 | 5 | Federring | Spring washer |
| 112 | 515 805 0 | 4 | 4,5x1,5 | Runddichtring | Round sealing ring |
| 114 | 519 969 0 | 1 | 42x2 | Runddichtring | Round sealing ring |
| 116 | 502 079 0 | 3 | M6x16 | Zyl-Schraube | Cheese head cap screw |
| 117 | 506 335 0 | 3 | 6 | Federring | Spring washer |
| 119 | 43 339 00 42 0 | 1 | | Anweisungsschild | Information sign |
| 122 | 502 051 0 | 1 | M4x8 | Zyl-Schraube | Cheese head cap screw |
| 123 | 506 374 0 | 1 | 4 | Federring | Spring washer |
| 130 | 82 169 01 50 0 | 1 | | Buchse | Bushing |
| 131 | 517 011 0 | 1 | D10 | Klemmbügel | Clamping saddle |
| 132 | 502 069 0 | 1 | M5x12 | Zyl-Schraube | Cheese head cap screw |
| 133 | 506 900 0 | 1 | 5 | Federring | Spring washer |
| 135 | 520 906 0 | 2 | 3 S 8 | Schild | Sign |
| 140 | 42 330 30 89 0 | 1 | 2A1 | Klemmleiste | Terminal strip |
| | 42 330 31 89 0 | 1 | 2/12A1 | | |
| 144 | 502 051 0 | 2 | M4x8 | Zyl-Schraube | Cheese head cap screw |
| 146 | 506 374 0 | 2 | 4 | Federring | Spring washer |
| 150 | 519 059 0 | | Pg16 | Kabelverschraubung | Conduit gland |
| | 519 047 0 | | Pg21 | | |
| 151 | 518 860 0 | | 20x2 | Dichtring | Sealing ring |
| | 518 942 0 | | 24x2 | | |
| 155 | 519 134 0 | | Pg16 | Verschlußstopfen | Plug |
| | 519 135 0 | | Pg21 | | |
| | 519 136 0 | | Pg29 | | |
| 170 | 33 320 23 80 0 | 1 | | Typenschild | Type plate |
| 171 | 504 999 0 | 4 | 2x4 | Kerbnagel | Grooved drive stud |

*1 Bitte angeben: Abtriebswelle linksschräg; rechtsschräg; geradzahnt
Auswahl siehe Seite 7.

- 1) Bitte Betriebsspannung und Frequenz angeben.
- 2) Pos. 32+33 immer mitbestellen
- 3) Ausführung linksschräg
- 4) Ausführung rechtsschräg
- 5) Ausführung geradzahnt
- 6) hartverchromt
- x) Stückzahl nach Bedarf

*1 Please state: with output shaft left-handed; right-handed; spur-toothed
Selection see page 7.

- 1) Please state operating voltage and frequency.
- 2) Always included items 32+33 in order
- 3) Left-hand design
- 4) Right-hand design
- 5) Spur-toothed design
- 6) Hard chrome plated
- x) Quantity as required

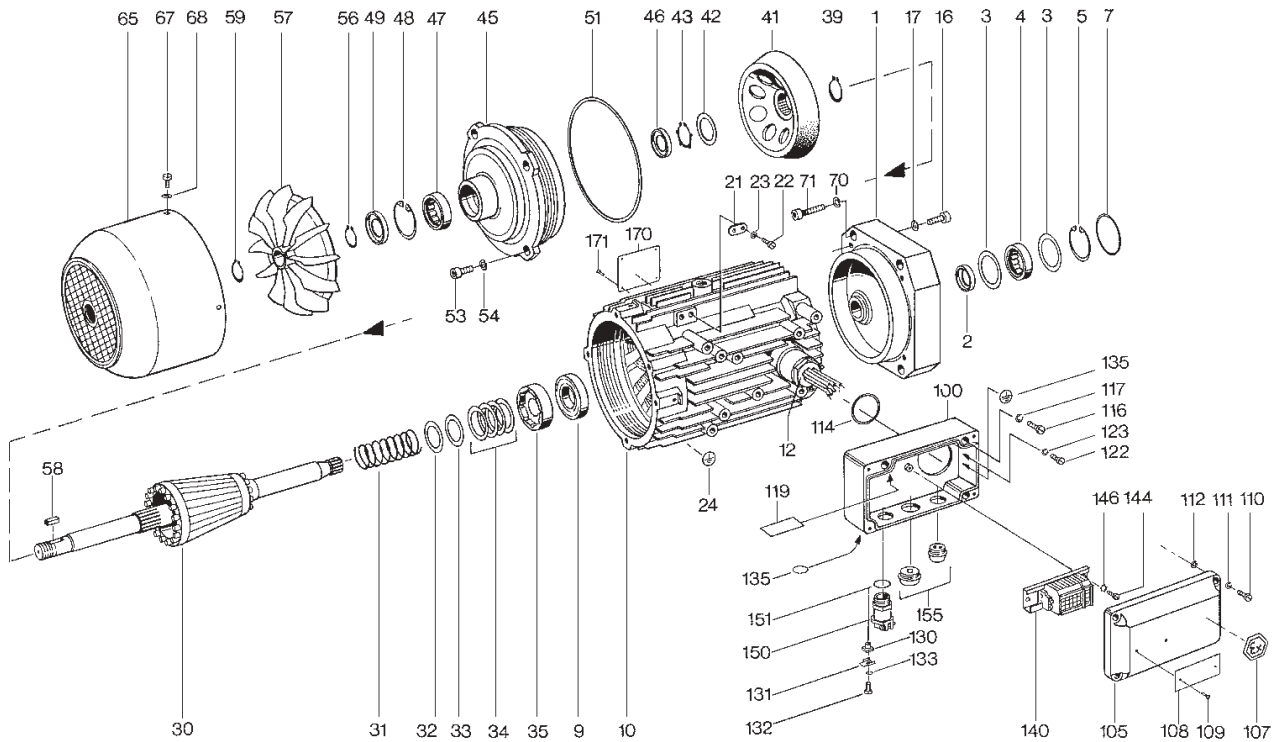


Originalteile
Original parts
T5 ex

Zone 1



A2 ex



F1211

| Pos | Teil-Nummer Part-Number | Stück Piece | Beschreibung Description | Benennung Designation |
|-----|----------------------------|----------------|-----------------------------------|---|
| | 42 330 53 11 2 | 1 | 2A2 IIB *1 1) (Pos.1-10,16-71) | Motor |
| | 42 330 55 11 2 | 1 | 2A2 IIC *1 1) (Pos.1-10,16-71) | Motor |
| | 42 330 54 11 2 | 1 | 2/12A2 IIB *1 1) (Pos.1-10,16-71) | Motor |
| | 42 330 56 11 2 | 1 | 2/12A2 IIC *1 1) (Pos.1-10,16-71) | Motor |
| 1 | 42 331 21 03 0 | 1 | | Motorflansch Motor flange |
| 2 | 561 822 0 | 1 | | Wellendichtring Shaft seal |
| 3 | 42 331 00 52 0 | 1 | | Scheibe Disc |
| 4 | 560 845 0 | 1 | RNU 204 E DIN 5412 | Zyl-Rollenlager Roller bearing |
| 5 | 506 106 0 | 1 | 47x1,75 DIN 472 | Sicherungsring Locking ring |
| 7 | 515 946 0 | 1 | 55x2 NB70 | Runddichtring Round sealing ring |
| 9 | 560 067 0 | 1 | 6007-2RS DIN 625 | Rillenkugellager Grooved ball bearing |
| 10 | 42 330 77 14 9 | 1 | 2A2 (Pos.12,100+140) | Stator |
| | 42 330 76 14 9 | 1 | 2/12A2 (Pos.12,100+140) | Stator |
| 12 | 519 073 0 | 1 | 2A2 | Aderleitungsdurchführung Conductor bushing |
| | 519 074 0 | 1 | 2/12A2 | |
| 16 | 500 234 0 | 4 | M8x25 DIN 912-8.8 | Zyl-Schraube Socket head cap screw |
| 17 | 506 459 0 | 4 | 8 DIN 7980 | Federring Spring washer |
| 21 | 65 909 15 98 0 | 2 | | Lasche Clip |
| 22 | 502 078 0 | 2 | M6x12 DIN 84-4.8 | Zyl-Schraube Cheese head cap screw |
| 23 | 506 335 0 | 2 | 6 DIN 7980 | Federring Spring washer |
| 24 | 520 906 0 | 1 | 3 S 8 | Schild Sign |
| 30 | 42 330 20 13 0 | 1 | 2)3) | Rotor |
| | 42 330 22 13 0 | 1 | 2)4) | |
| | 42 330 21 13 0 | 1 | 2)5) | |



| Pos | Teil-Nummer Part-Number | Stück Piece | Beschreibung Description | Benennung | Designation |
|-----|----------------------------|----------------|-----------------------------|----------------------|--------------------------|
| 31 | 42 331 00 94 0 | 1 | | Druckfeder | Pressure spring |
| 32 | 42 331 00 14 0 | 1 | | Tellerfeder | Belleville spring washer |
| 33 | 507 816 0 | 1 | 42x52x1 DIN 988 | Paßscheibe | Adjusting ring |
| 34 | 507 817 0 | 4 | 42x52x0,3 DIN 988 | Paßscheibe | Adjusting ring |
| 35 | 42 331 20 51 0 | 1 | | Abstandsring | Spacer ring |
| 39 | 506 098 0 | 1 | 30x1,5 DIN 471 | Sicherungsring | Locking ring |
| 41 | 42 330 20 18 0 | 1 | | Bremsscheibe | Brake disc |
| 42 | 506 846 0 | 1 | 30x52x0,3 DIN 988 | Paßscheibe | Adjusting ring |
| 43 | 506 569 0 | 1 | A30x1,5L DIN 471 | Sicherungsring | Locking ring |
| 45 | 42 330 04 37 0 | 1 | | Motordeckel | Motor cover |
| | 42 330 03 37 0 | 1 | 6) | | |
| 46 | 561 081 0 | 1 | 27x42x7 DIN 3760 | Wellendichtring | Shaft seal |
| 47 | 560 845 0 | 1 | RNU 204 E DIN 5412 | Zyl-Rollenlager | Roller bearing |
| 48 | 506 106 0 | 1 | 47x1,7 DIN 472 | Sicherungsring | Locking ring |
| 49 | 42 331 01 95 0 | 1 | | Wellendichtring | Shaft seal |
| 51 | 515 980 0 | 1 | 160x4 NB70 | Runddichtring | Round sealing ring |
| 53 | 500 144 0 | 4 | M8x16 DIN 912-8.8 | Zyl-Schraube | Socket head cap screw |
| 54 | 506 459 0 | 4 | 8 DIN 7980 | Federring | Spring washer |
| 56 | 506 428 0 | 1 | 24X1,2 | Sicherungsring | Locking ring |
| 57 | 576 019 0 | 1 | V100R/24 | Lüfterrad | Fan wheel |
| 58 | 537 958 0 | 1 | B6x6x20 DIN 6885 | Paßfeder | Feather key |
| 59 | 506 428 0 | 1 | 24x1,2 DIN 471 | Sicherungsring | Locking ring |
| 65 | 42 331 20 40 0 | 1 | | Lüfterhaube | Fan cowl |
| 67 | 500 419 0 | 4 | M5x8 DIN 933 | Skt-Schraube | Hexagon head cap screw |
| 68 | 506 900 0 | 4 | 5 DIN 7980 | Federring | Spring washer |
| 70 | 506 459 0 | 4 | 8 DIN 7980 | Federring | Spring washer |
| 71 | 500 146 0 | 4 | M8x40 DIN 912-8.8 | Zyl-Schraube | Socket head cap screw |
| 100 | 02 220 20 02 0 | 1 | | Anschlußkasten | Terminal box |
| 105 | 02 220 20 21 0 | 1 | | Anschlußkastendeckel | Terminal box cover |
| 107 | 25 339 25 42 0 | 1 | EEX | Schild | Sign |
| 108 | 43 339 20 42 0 | 1 | | Anweisungsschild | Information sign |
| 109 | 504 999 0 | 4 | 2x4 | Kerbnagel | Grooved drive stud |
| 110 | 502 072 0 | 4 | M5x20 DIN 84-5.8 | Zyl-Schraube | Cheese head cap screw |
| 111 | 506 900 0 | 4 | 5 DIN 7980 | Federring | Spring washer |
| 112 | 515 805 0 | 4 | 4,5x1,5 -BL-BN170 | Runddichtring | Round sealing ring |
| 114 | 519 969 0 | 1 | 42x2 | Runddichtring | Round sealing ring |
| 116 | 502 079 0 | 3 | M6x16 DIN 84-4.8 | Zyl-Schraube | Cheese head cap screw |
| 117 | 506 335 0 | 3 | 6 DIN 7980 | Federring | Spring washer |
| 119 | 43 339 00 42 0 | 1 | | Anweisungsschild | Information sign |
| 122 | 502 051 0 | 1 | M4x8 DIN 84 | Zyl-Schraube | Cheese head cap screw |
| 123 | 506 374 0 | 1 | 4 DIN 7980 | Fedderring | Spring washer |
| 130 | 82 169 01 50 0 | 1 | | Buchse | Bushing |
| 131 | 517 011 0 | 1 | D10 | Klemmbügel | Clamping saddle |
| 132 | 502 069 0 | 1 | M5x12 DIN 84 | Zyl-Schraube | Cheese head cap screw |
| 133 | 506 900 0 | 1 | 5 DIN 7980 | Federring | Spring washer |
| 135 | 520 906 0 | 2 | 3 S 8 | Schild | Sign |
| 140 | 42 330 30 89 0 | 1 | 2A2 (Pos.144+146) | Klemmleiste | Terminal strip |
| | 42 330 31 89 0 | 1 | 2/12A2 (Pos.144+146) | | |
| 144 | 502 051 0 | 2 | M4x8 DIN 84-5.8 | Zyl-Schraube | Cheese head cap screw |
| 146 | 506 374 0 | 2 | 4 DIN 7980 | Federring | Spring washer |
| 150 | 519 059 0 | | Pg16 x) | Kabelverschraubung | Conduit gland |
| | 519 047 0 | | Pg21 x) | | |
| 151 | 518 860 0 | | 20x2 x) | Dichtring | Sealing ring |
| | 518 942 0 | | 24x2 x) | | |
| 155 | 519 134 0 | | Pg16 x) | Verschlußstopfen | Plug |
| | 519 135 0 | | Pg21 x) | | |
| | 519 136 0 | | Pg29 x) | | |
| 170 | 33 320 23 80 0 | 1 | | Typenschild | Type plate |
| 171 | 504 999 0 | 4 | 2x4 DIN 1476 | Kerbnagel | Grooved drive stud |

*1 Bitte angeben:Abtriebswelle linksschräg;rechtsschräg;geradverzahnt
Auswahl siehe Seite 7.

- 1) Bitte Betriebsspannung und Frequenz angeben.
- 2) Pos.31-34 immer mitbestellen
- 3) Ausführung linksschräg
- 4) Ausführung rechtsschräg
- 5) Ausführung geradverzahnt
- 6) hartverchromt
- x) Stückzahl nach Bedarf

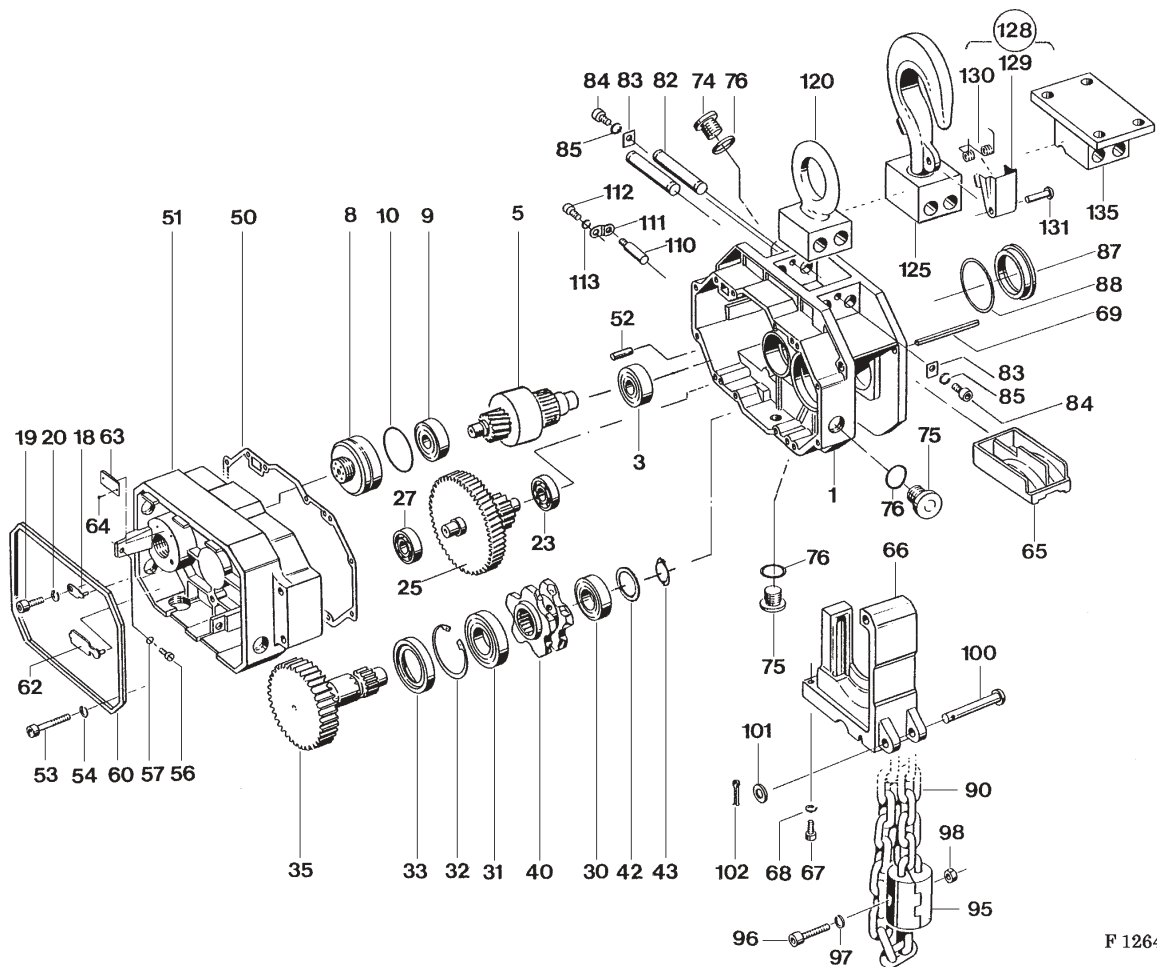
*1 Please state:with output shaft left-handed:right-handed; spur-toothed
Selection see page 7.

- 1) Please state operating voltage and frequency.
- 2) Always included items 31-34 in order
- 3) Left-hand design
- 4) Right-hand design
- 5) Spur-toothed design
- 6) Hard chrome plated
- x) Quantity as required



Originalteile
Original parts
T5 ex

Zone 1



F 1264

| Pos | Teil-Nummer Part-Number | Stück Piece | Beschreibung Description | Benennung Designation | |
|-----|----------------------------|----------------|-----------------------------|--------------------------|--|
| | 35 320 20 30 0 | 1 | A1 ex-50 Hz T510 - 6 | *1 (Pos.1-76,87+88) | Getriebe Gear |
| | 35 320 20 30 0 | 1 | A1 ex-60 Hz T510 - 7 | *1 (Pos.1-76,87+88) | |
| | 35 320 21 30 0 | 1 | A2 ex-50 Hz T510 - 10 | *1 (Pos.1-76,87+88) | |
| | 35 320 21 30 0 | 1 | A2 ex-60 Hz T510 - 13 | *1 (Pos.1-76,87+88) | |
| 1 | 35 323 07 01 0 | 1 | | | Getriebegehäuse Gear box |
| 3 | 560 106 0 | 1 | 7303 B | DIN 628 | Schrägkugellager Angular ball bearing |
| 5 | | 1 | | 1) | Rutschkupplung Sliding clutch |
| 8 | 35 323 00 50 0 | 1 | | | Verstellbuchse Adjusting bush |
| 9 | 560 106 0 | 1 | 7303 B | DIN 628 | Schrägkugellager Angular ball bearing |
| 10 | 515 978 0 0 | 1 | 50x3 | NB 70 | Runddichtring Round sealing ring |
| 18 | 33 323 00 89 0 | 1 | | | Sicherungsblech Locking plate |
| 19 | 500 230 0 | 1 | M6x12 | DIN 912-8.8 | Zyl-Schraube Socket head cap screw |
| 20 | 506 235 0 | 1 | 6 | DIN 7980 | Federring Spring washer |
| 23 | 560 820 0 | 1 | 6304 | DIN 625 | Rillenkugellager Grooved ball bearing |
| 25 | 35 323 00 11 0 | 1 | Z=76 | T510 A1 ex | Zahnrad Gear wheel |
| | 35 323 02 11 0 | 1 | Z=69 | T510 A2 ex | |
| 27 | 560 051 0 | 1 | 6204 | DIN 625 | Rillenkugellager Grooved ball bearing |
| 30 | 560 107 0 | 1 | 6305-2RS | DIN 625 | Rillenkugellager Grooved ball bearing |
| 31 | 560 832 0 | 1 | 6207-2RS | DIN 625 | Rillenkugellager Grooved ball bearing |
| 32 | 506 255 0 | 1 | 72x2,5 | DIN 472 | Sicherungsring Locking ring |
| 33 | 561 004 0 | 1 | A42x72x8 | DIN 3760 | Wellendichtring Shaft seal |
| 35 | 36 323 00 11 0 | 1 | Z=50 | | Vorgelege Reduction gear |
| 40 | 35 324 00 16 0 | 1 | | | Kettennuß Sprocket wheel |
| 42 | 507 024 0 | 1 | S25x35x2 | DIN 988 | Stützscheibe Supporting ring |
| 43 | 506 013 0 | 1 | 25x2 | DIN 471 | Sicherungsring Locking ring |
| 50 | 35 323 00 95 0 | 1 | | | Dichtung Seal |
| 51 | 35 323 05 02 0 | 1 | | | Getriebedeckel Gearcap |
| 52 | 504 029 0 | 2 | 6m6x24 | DIN 7 | Zyl-Stift Pin |



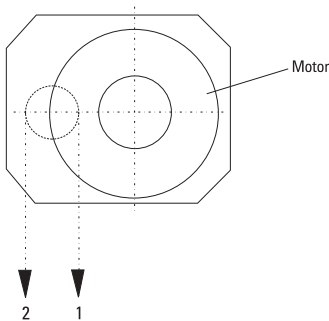
| Pos | Teil-Nummer Part-Number | Stück Piece | Beschreibung Description | Benennung Designation | | |
|-----|----------------------------|----------------|-----------------------------|--------------------------|--------------------|----------------------------|
| 53 | 501 004 0 | 12 | M6x80 | DIN 912-8.8 | Zyl-Schraube | Socket head cap screw |
| 54 | 506 335 0 | 12 | 6 | DIN 7980 | Federring | Spring washer |
| 56 | 502 069 0 | 2 | M5x12 | DIN 84-8.4 | Zyl-Schraube | Cheese head cap screw |
| 57 | 506 970 0 | 2 | A5,1 | DIN 6797 | Zahnscheibe | External teeth lock washer |
| 60 | 34 329 01 95 0 | 1 | | | Dichtung | Seal |
| 62 | 33 323 00 97 0 | 1 | | | Entlüftungsstopfen | Drain plug |
| 63 | 33 323 01 42 0 | 1 | | | Anweisungsschild | Instruction plate |
| 64 | 507 831 0 | 2 | | | Blindniet | Blind rivet |
| 65 | 35 324 00 32 0 | 1 | | | Einlegeteil | Insert part |
| 66 | 35 324 00 30 0 | 1 | | | Kettenführung | Chain guide |
| 67 | 500 844 0 | 2 | M8x25 | DIN 912-8.8 | Zyl-Schraube | Socket head cap screw |
| 68 | 506 459 0 | 2 | 8 | DIN 7980 | Federring | Spring washer |
| 69 | 504 024 0 | 1 | 12x100 | DIN 7343 | Spannstift | Spring dowel sleeve |
| 74 | 32 250 00 57 0 | 1 | | | Verschlußschraube | Screw plug |
| 75 | 503 954 0 | 3 | M16x1,5 | DIN 908 | Verschlußschraube | Screw plug |
| 76 | 515 004 0 | 3 | C16x20 | DIN 7603 | Dichtring | Sealing ring |
| 82 | 35 322 02 92 0 | 2 | | | Aufhängbolzen | Suspension bolt |
| 83 | 35 322 01 89 0 | 2 | | | Sicherungsblech | Locking plate |
| 84 | 500 144 0 | 2 | M8x16 | DIN 912-8.8 | Zyl-Schraube | Socket head cap screw |
| 85 | 506 224 0 | 2 | A8,4 | DIN 6797 | Zahnscheibe | External teeth lock washer |
| 87 | 35 323 00 51 0 | 1 | | | Zentrierring | Eccentric ring |
| 88 | 515 953 0 | 1 | 70x2 | NB 70 | Runddichtring | Round sealing ring |
| 90 | 331 004 9 | | 9x27 | 5) HE-G80 RAS | Lastkette | Chain |
| 95 | 20 320 00 27 0 | 1 | | (Pos.96-98) | Anschlagfuß | Chain stop |
| 96 | 500 146 0 | 1 | M8x40 | DIN 912-8.8 | Zyl-Schraube | Socket head cap screw |
| 97 | 506 459 0 | 1 | 8 | DIN 7980 | Federring | Spring washer |
| 98 | 506 282 0 | 1 | M8 | DIN 934-8 | Skt-Mutter | Hexagonal nut |
| 100 | 33 323 01 92 0 | 1 | | | Bolzen | Bolt |
| 101 | 506 021 0 | 1 | B8,4 | DIN 125 | Scheibe | Disc |
| 102 | 504 042 0 | 1 | 2x16 | DIN94 | Splint | Cotter pin |
| 110 | 35 324 02 92 0 | 1 | | | Bolzen | Bolt |
| 111 | 35 324 00 93 0 | 1 | | | Sicherungsblech | Locking plate |
| 112 | 500 144 0 | 1 | M8x16 | DIN 912-8.8 | Zyl-Schraube | Socket head cap screw |
| 113 | 506 459 0 | 1 | 8 | DIN 7980 | Federring | Spring washer |
| 120 | 35 322 00 58 0 | 1 | | | Aufhängung | Suspension |
| 125 | 35 320 08 28 0 | 1 | | (Pos.128) | Aufhängehaken | Suspension hook |
| 128 | 35 320 00 57 0 | 1 | | (Pos.129-131) | Lasthakensicherung | Safety catch |
| 129 | 35 322 03 89 0 | 1 | | | Sicherungsklappe | Safety loop |
| 130 | 562 972 0 | 1 | | | Drehfeder | Torsion spring |
| 131 | 00 325 03 16 0 | 1 | | | Nietstift | Rivet pin |
| 135 | 34 240 13 27 0 | 1 | | | Aufhängung | Suspension |
| | 32 250 06 65 0 | 1 | | 6) | Getriebeöl | Gearoil |

*1 Bitte angeben:Vorgelegerad linksschräg;rechtsschräg;geradverzahnt

- 1) Einzelteile siehe Seite 8
- 2) Bitte Länge angeben
- 3) Getriebeöl:erforderliche Menge siehe Betriebsanleitung

*1 Please state:layshaft gear left-handed;right-handed;spur-toothed

- 1) Piece parts see page 8
- 2) Please state length
- 3) Quantity of gear oil necessary:see operating instructions



- | | |
|------------------|-------------------|
| I) Rotor | I) Rotor |
| II) Vorgelegerad | II) Layshaft gear |
| 1) linksschräg | 1) Left-hand |
| 2) rechtsschräg | 2) Right-hand |
| 3) geradverzahnt | 3) Spur-toothed |

Kettenabgang
Chain departure

Bauteile
Components

Verzahnung
Gearing

1 - standard

I)

1)

II)

2)

2

I)

2)

II)

1)

1+2

I)

3)

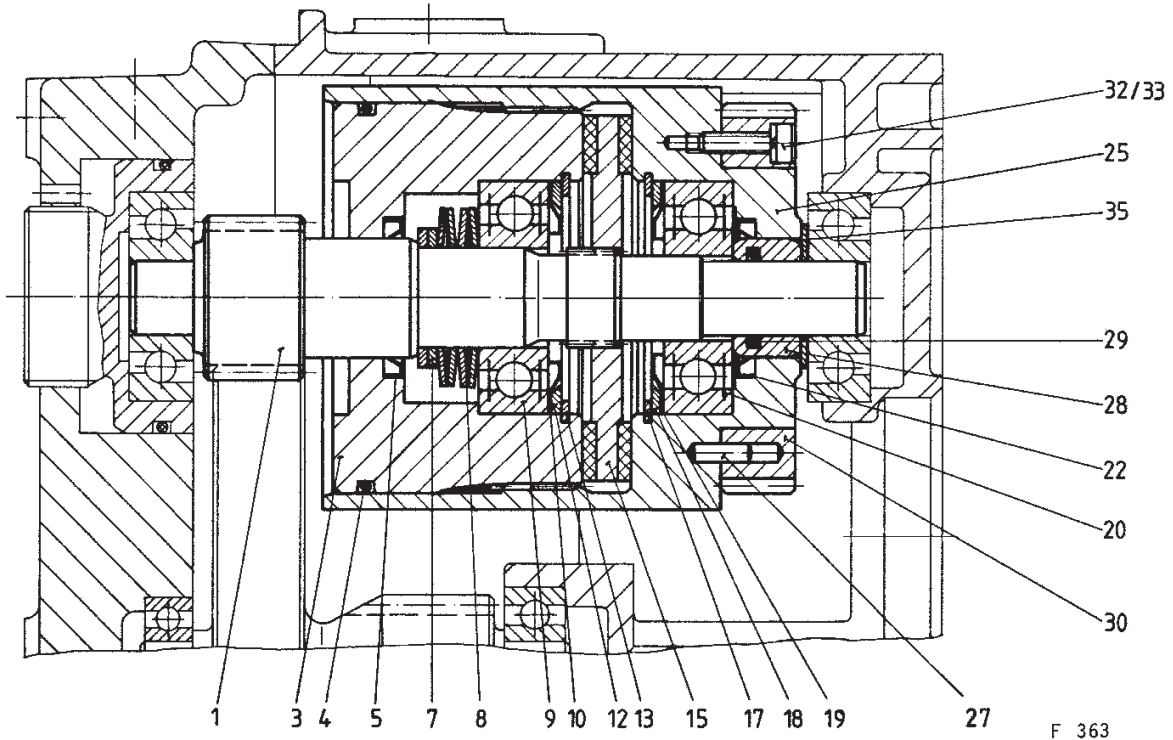
II)

3)



Originalteile
Original parts
T5 ex

Zone 1



F 363

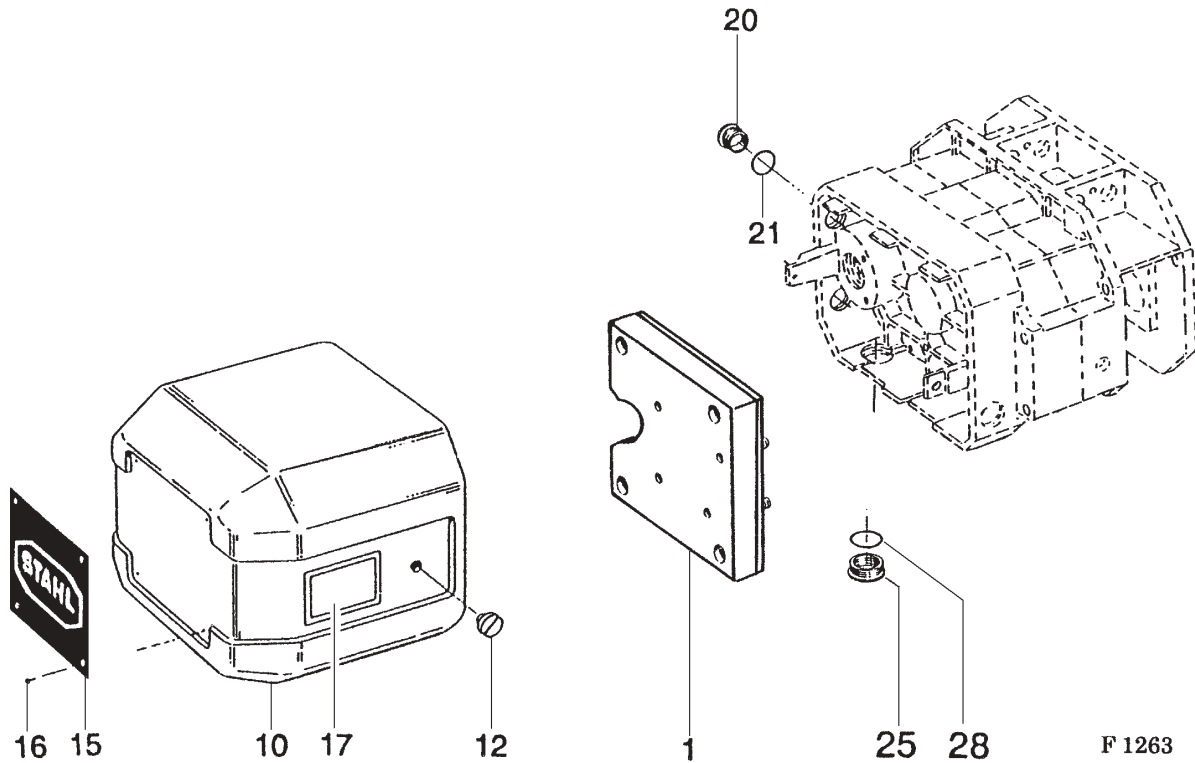
| Pos | Teil-Nummer Part-Number | Stück Piece | Beschreibung Description | | | Benennung | Designation |
|-----|----------------------------|----------------|-----------------------------|----|--------------|------------------|--------------------------|
| | 35 320 20 33 0 | 1 | RU-T45 1 13 ex | *1 | T510 A1 ex | Rutschkupplung | Slipping clutch |
| | 35 320 21 33 0 | 1 | RU-T45 2 20 ex | *1 | T510 A2 ex | | |
| 1 | 35 323 20 36 0 | 1 | RU-T45 1 13 ex | *1 | Z=13 | Ritzelwelle | Pinion shaft |
| | 35 323 21 15 0 | 1 | RU-T45 2 20 ex | *1 | Z=20 | | |
| 3 | 34 323 20 35 0 | 1 | | | | Druckring | Thrust collar |
| 4 | 515 995 0 | 1 | 72x3 | | NB 70 | Runddichtring | Round sealing ring |
| 5 | 561 896 0 | 1 | 24x32x4 | | | Wellendichtring | Shaft seal |
| 7 | 506 823 0 | | S20x28x2 | x) | DIN 988 | Stützscheibe | Supporting ring |
| 8 | 562 901 0 | 4 | | | | Tellerfeder | Belleville spring washer |
| 9 | 560 091 0 | 1 | 6204-2RS | | DIN 625 | Rillenkugellager | Grooved ball bearing |
| 10 | 561 899 0 | 1 | 6204 ZJV | | | Nilosring | Nilos-ring |
| 12 | 34 323 20 51 0 | 1 | | | | Distanzring | Spacer ring |
| 13 | 506 106 0 | 1 | 47x1,75 | | DIN 472 | Sicherungsring | Locking ring |
| 15 | 34 320 20 32 0 | 1 | | | | Kupplungsscheibe | Clutch disc |
| 17 | 506 106 0 | 1 | 47x1,75 | | DIN 472 | Sicherungsring | Locking ring |
| 18 | 34 323 20 51 0 | 1 | | | | Distanzring | Spacer ring |
| 19 | 561 056 0 | 1 | 6303 ZJV | | | Nilosring | Nilos-ring |
| 20 | 560 128 0 | 1 | 6303-2RS | | DIN 625 | Rillenkugellager | Grooved ball bearing |
| 22 | 561 896 0 | 1 | 24x32x4 | | | Wellendichtring | Shaft seal |
| 25 | 34 323 20 33 0 | 1 | | | | Kupplungsgehäuse | Clutch housing |
| 27 | 504 800 0 | 4 | 4x12 | | DIN 1481 | Spannstift | Dowel pin |
| 28 | 35 323 20 52 0 | 1 | | | | Buchse | Bushing |
| 29 | 515 956 0 | 1 | 17,5x2,4 | | NB 70 | Runddichtring | Round sealing ring |
| 30 | 35 323 20 16 0 | 1 | RU-T45 ... ex | 1) | Z=84 | Zahnrad | Gear wheel |
| | 35 323 21 16 0 | 1 | RU-T45 ... ex | 2) | Z=84 | | |
| | 35 323 22 16 0 | 1 | RU-T45 ... ex | 3) | Z=86 | | |
| 32 | 501 017 0 | 2 | M4x16 | | DIN 6912-8.8 | Zyl-Schraube | Socket head cap screw |
| 33 | 506 374 0 | 2 | 4 | | DIN 7980 | Federring | Spring washer |
| 35 | 35 323 21 52 0 | 1 | | | | Scheibe | Disc |

*1 Bitte angeben: Vorgelegerad linksschräg; rechtsschräg; geradverzahnt
Auswahl siehe Seite 7.

- 1) Ausführung rechtsschräg
- 2) Ausführung linksschräg
- 3) Ausführung geradverzahnt
- x) Stückzahl nach Bedarf

*1 Please state: layshaft gear left-handed; right-handed; spur-toothed
Selection see page 7.

- 1) Right-hand design
- 2) Left-hand design
- 3) Spur-toothed design
- x) Quantity as required

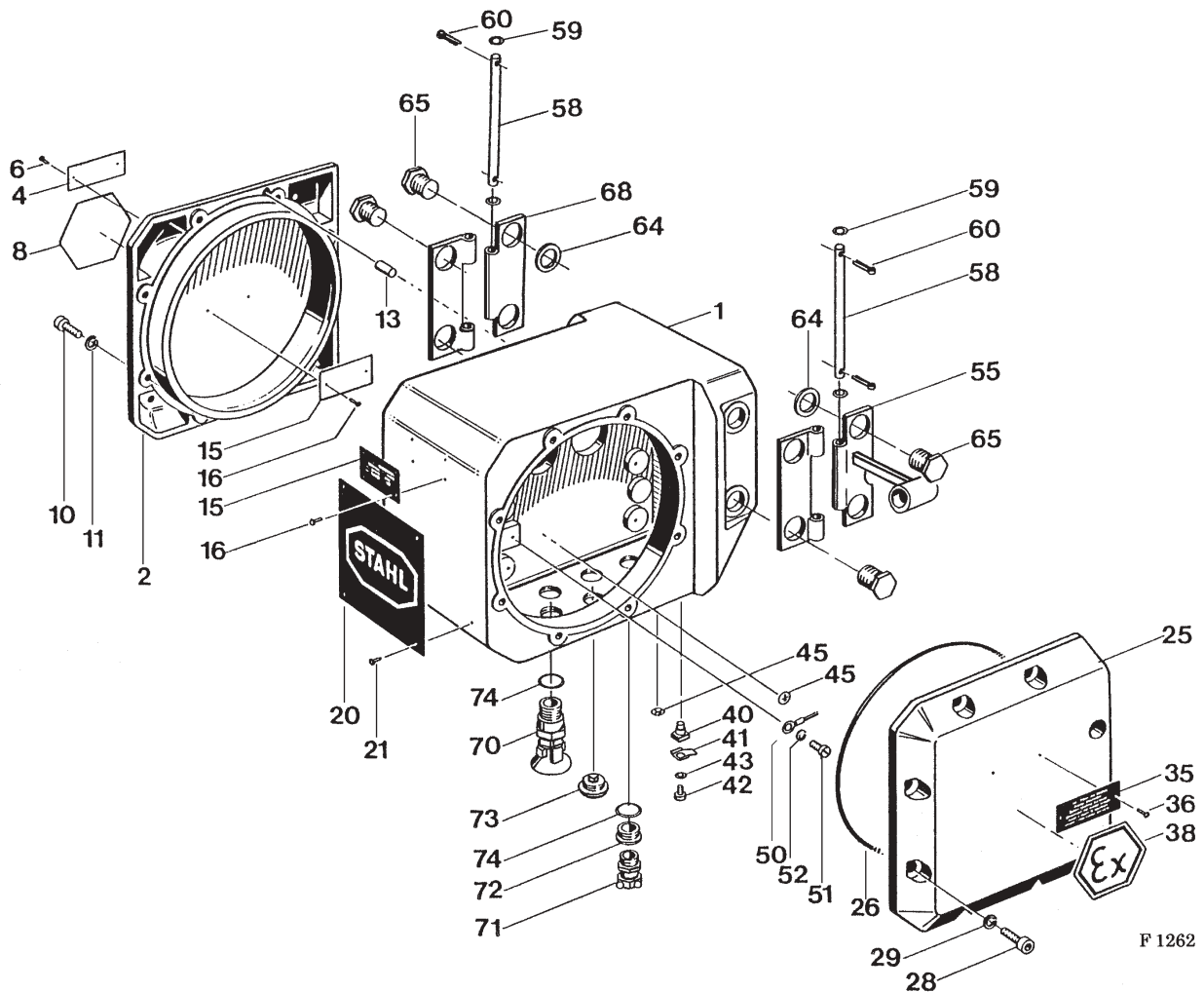


| Pos | Teil-Nummer Part-Number | Stück Piece | Beschreibung Description | Benennung | Designation |
|-----|----------------------------|----------------|-----------------------------|------------------|--------------------|
| 1 | 35 320 60 23 0 | 1 | | Gegengewicht | Counter weight |
| 10 | 34 320 12 95 0 | 1 | (Pos.12-17) | Abschlußhaube | End hood |
| 12 | 33 329 00 91 0 | 2 | | Konummutter | Cone nut |
| 15 | 03 335 00 43 0 | 1 | | Firmenschild | Name plate |
| 16 | 507 831 0 | 4 | | Blindniet | Blind rivet |
| 17 | 02 323 02 45 0 | 1 | | Hinweisschild | Information sign |
| 20 | 518 018 0 | 4 | Pg16 | Verschlußstopfen | Screw plug |
| 21 | 518 860 0 | 4 | 20x2 | Runddichtring | Round sealing ring |
| 25 | 518 003 0 | 1 | Pg21 | Verschlußstopfen | Screw plug |
| 28 | 518 942 0 | 1 | 24x2 | Runddichtring | Round sealing ring |



Originalteile
Original parts
T5 ex

Zone 1



F 1262

| Pos | Teil-Nummer Part-Number | Stück Piece | Beschreibung Description | Benennung | Designation |
|-----|----------------------------|----------------|-----------------------------|---------------|-----------------------|
| 1 | 35 320 20 95 0 | 1 | K.-T5-ex IIB (Pos.1-68) | Gerätekasten | Contactor housing |
| | 35 320 21 95 0 | 1 | K.-T5-ex IIC (Pos.1-68) | | |
| 2 | 33 329 20 21 0 | 1 | d | Kastendeckel | Box cover |
| 4 | 43 339 20 42 0 | 1 | | Hinweisschild | Information sign |
| 6 | 504 999 0 | 2 | 2x4 DIN 1476 | Kerbnagel | Drive stud |
| 8 | 25 339 25 42 0 | 1 | EEx | Schild | Sign |
| 10 | 500 234 0 | 8 | M8x25 DIN 912-8.8 | Zyl-Schraube | Socket head cap screw |
| 11 | 506 459 0 | 8 | DIN 7980 | Federring | Spring washer |
| 13 | 504 222 0 | 1 | 6x14 DIN 1473 | Kerbstift | Dowel pin |



Zone 1

Originalteile
Original parts
T5 ex



| Pos | Teil-Nummer Part-Number | Stück Piece | Beschreibung Description | Benennung Designation |
|-----|----------------------------|----------------|--------------------------------|--|
| 15 | 33 320 20 80 0 | 1 | (Pos.16) | Typenschild Type plate |
| 16 | 504 999 0 | 2 | 2x4 DIN 1476 | Kerbnagel Drive stud |
| 20 | 42 339 00 43 0 | 1 | | Firmenschild Name plate |
| 21 | 507 831 0 | 4 | 3x5 | Blindniet Blind rivet |
| 25 | 33 329 20 22 0 | 1 | | Kastendeckel Box cover |
| 26 | 515 957 0 | 1 | 230x2 | Runddichtring Round sealing ring |
| 28 | 500 234 0 | 8 | M8x25 DIN 912-8.8 | Zyl-Schraube Socket head cap screw |
| 29 | 506 459 0 | 8 | 8 DIN 7980 | Federring Spring washer |
| 35 | 43 339 20 42 0 | 1 | | Hinweisschild Information sign |
| 36 | 504 999 0 | 2 | 2x4 DIN 1476 | Kerbnagel Drive stud |
| 38 | 25 339 25 42 0 | 1 | EEx | Schild Sign |
| 40 | 82 169 01 50 0 | 1 | | Buchse Bushing |
| 41 | 517 011 0 | 1 | D10 | Klemmbügel Clamping saddle |
| 42 | 502 069 0 | 1 | M5x12 DIN 84 | Zyl-Schraube Cheese head cap screw |
| 43 | 506 900 0 | 1 | 5 DIN 7980 | Federring Spring washer |
| 45 | 520 906 0 | 2 | 3 S 8 | Schiebebild Sign |
| 50 | 517 888 0 | 1 | 4 | Kabelschuh Cable lug |
| 51 | 502 051 0 | 1 | M4x8 | Zyl-Schraube Cheese head cap screw |
| 52 | 506 374 0 | 1 | 4 DIN 7980 | Federring Spring washer |
| 55 | 35 320 50 42 0 | 1 | (Pos.58-65) | Scharnier Hinge |
| 58 | 33 329 20 92 0 | 2 | | Achse Axle |
| 59 | 506 021 0 | 4 | B8,4 DIN 125 | Scheibe Disc |
| 60 | 504 113 0 | 4 | 3,2x16 DIN 94 | Splint Cotter pin |
| 64 | 33 329 20 51 0 | 4 | | Abstandsring Spacer ring |
| 65 | 33 329 20 90 0 | 8 | | Schraube Screw |
| 68 | 35 320 51 42 0 | 1 | (Pos.58-65) | Scharnier Hinge |
| 70 | 25 330 27 94 0 | | Pg16 D10-12mm x) (Pos.74) | Einführungsstutzen Bell mouthed gland |
| | 25 330 20 94 0 | | Pg16 D12,5-14mm x) (Pos.74) | |
| | 25 330 26 94 0 | | Pg21 D12,5-14mm x) (Pos.74) | |
| | 25 330 23 94 0 | | Pg21 D15-16mm x) (Pos.74) | |
| | 25 330 21 94 0 | | Pg21 D18-19mm x) (Pos.74) | |
| | 25 330 24 94 0 | | Pg29 D20-21,5mm x) (Pos.74) | |
| 71 | 519 080 0 | | Pg13,5 x) | Kabelverschraubung Conduiz gland |
| | 519 059 0 | | Pg16 x) | |
| | 519 047 0 | | Pg21 x) | |
| | 519 075 0 | | Pg29 x) | Reduziererring Reduction ring |
| 73 | 519 036 0 | | Pg21/16 x) | |
| | 519 037 0 | | Pg29/21 x) | |
| 74 | 519 133 0 | | Pg13,5 x) | Schraubverschluß Screw plug |
| | 519 134 0 | | Pg16 x) | |
| | 519 135 0 | | Pg21 x) | |
| | 519 136 0 | | Pg29 x) | |
| 75 | 515 956 0 | | 17,5x2,4 x) | Dichtring Sealing ring |
| | 518 860 0 | | 20x2 x) | |
| | 518 942 0 | | 24x2 x) | |
| | 518 943 0 | | 33x2 x) | |

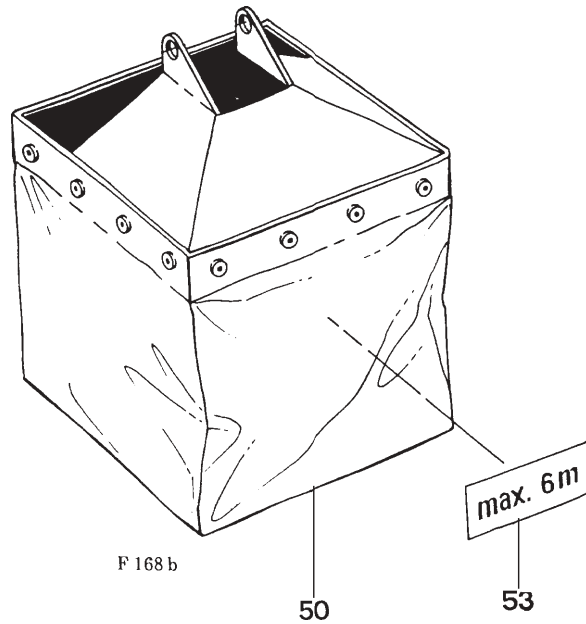
1) Pos.26 immer mitbestellen
x) Stückzahl nach Bedarf

1) Always include Item 26 in order
x) Quantity as required



Originalteile
Original parts
T5 ex

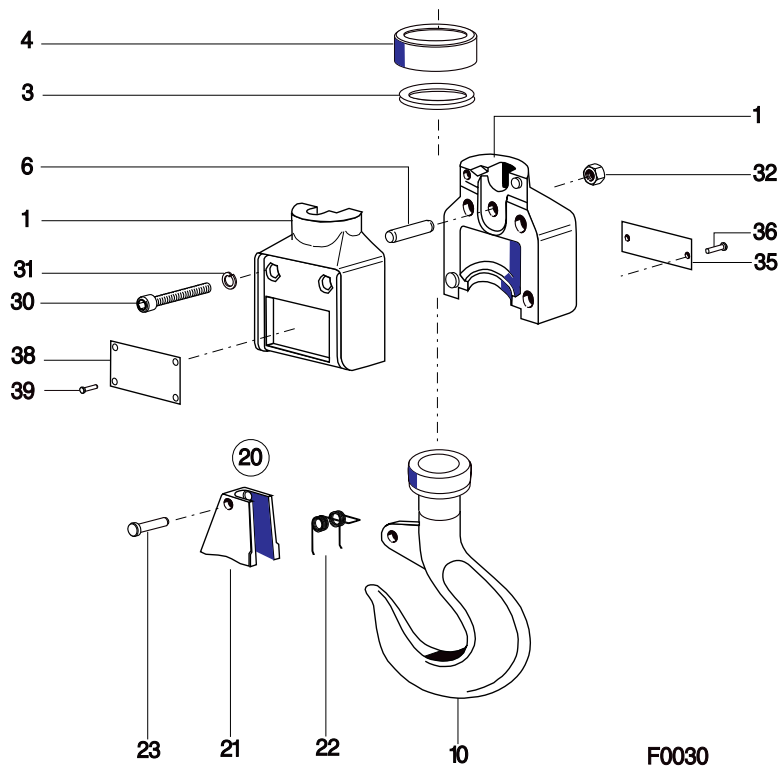
Zone 1



| Pos | Teil-Nummer Part-Number | Stück Piece | Beschreibung Description | Benennung | Designation |
|-----|----------------------------|----------------|-----------------------------|----------------|------------------|
| 50 | 35 322 04 32 0 | 1 | 1) 6m | Kettenspeicher | Chain box |
| | 33 320 26 26 0 | 1 | 2) 10m | | |
| | 33 320 27 26 0 | 1 | 2) 12m | | |
| | 35 320 12 26 0 | 1 | 2) 20m | | |
| | 33 320 28 26 0 | 1 | 3) 6m | | |
| | 33 320 29 26 0 | 1 | 3) 10m | | |
| | 33 320 30 26 0 | 1 | 3) 12m | | |
| | 33 320 31 26 0 | 1 | 3) 30m | | |
| 53 | 33 322 13 42 0 | 1 | 10m | Hinweisschild | Information sign |
| | 33 322 14 42 0 | 1 | 12m | | |
| | 33 322 15 42 0 | 1 | 30m | | |
| | 33 322 17 42 0 | 1 | 6m | | |

1) Kunststoff
2) Textil
3) Stahlblech

1) Plastic
2) Textile
3) Sheet steel



F0030

| Pos | Teil-Nummer Part-Number | Stück Piece | Beschreibung Description | Benennung Designation | Designation |
|-----|----------------------------|----------------|-----------------------------|--------------------------|------------------------|
| | 35 320 00 59 0 | 1 | 1) (Pos.1-10,30-39) | Hakengeschirr | Bottom hook block |
| | 35 320 05 59 0 | 1 | 2) (Pos.1-10,30-39) | | |
| 1 | 36 325 00 13 0 | 2 | | Tragschale | Side cheek |
| 3 | 35 325 00 22 0 | 1 | | Gummiring | Rubber |
| 4 | 35 325 00 21 0 | 1 | | Pufferanschlag | Buffer stop |
| 6 | 36 325 00 92 0 | 1 | | Bolzen | Bolt |
| 10 | 34 320 00 52 0 | 1 | RSN 05 1) (Pos.20) | Lasthaken | Load hook |
| | 34 320 02 52 0 | 1 | RSN 05 2) | | |
| 20 | 04 320 50 56 0 | 1 | | Lasthakensicherung | Safety catch |
| 21 | 521 908 0 | 1 | | Sicherungsbügel | Safety loop |
| 22 | 562 972 0 | 1 | | Doppelschenkelfeder | Double-leg type spring |
| 23 | 00 325 03 16 0 | 1 | | Nietstift | Rivet pin |
| 30 | 500 351 0 | 2 | M10x50 | Zyl-Schraube | Socket head cap screw |
| 31 | 506 218 0 | 2 | A10 | Federring | Spring washer |
| 32 | 506 284 0 | 2 | M10 | Skt-Mutter | Hexagonal nut |
| 35 | 33 325 05 45 0 | 2 | 1000 kg | Traglastschild | S.W.L. sign |
| 36 | 507 831 0 | 2 | 3x5 | Blindniet | Blind rivet |
| 38 | 03 335 06 43 0 | 1 | | Firmenschild | Name plate |
| 39 | 507 831 0 | 4 | 3x5 | Blindniet | Blind rivet |

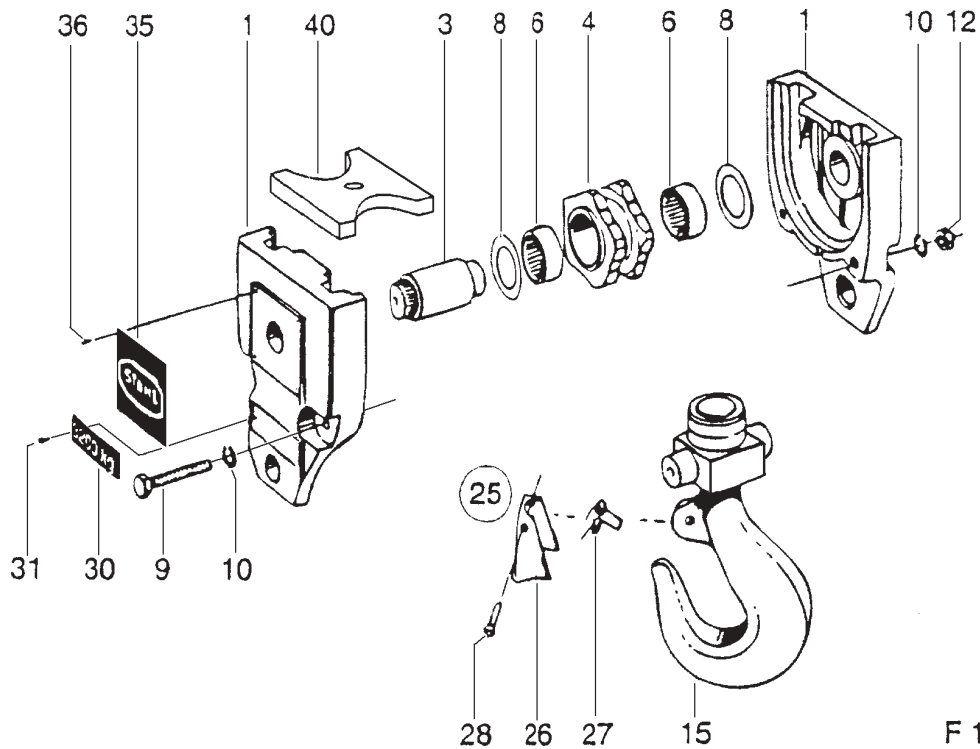
1) Einfachhaken
2) Doppelhaken

1) Load hook
2) Ramshorn hook



Originalteile
Original parts
T5 ex

Zone 1



F 1218

| Pos | Teil-Nummer Part-Number | Stück Piece | Beschreibung Description | Benennung | Designation |
|-----|----------------------------|----------------|-----------------------------|---------------------|------------------------|
| | 35 320 00 50 0 | 1 | 1) (Pos.1-4,8-15,30-40) | Hakenflasche | Bottom hook block |
| | 35 320 05 50 0 | 1 | 2) (Pos.1-4,8-15,30-40) | | |
| 1 | 35 325 00 01 0 | 2 | | Tragschild | Side cheek |
| 3 | 10 325 01 04 0 | 1 | | Bolzen | Bolt |
| 4 | 20 320 00 53 0 | 1 | (Pos.6) | Kettenrolle | Chain pulley |
| 6 | 561 042 0 | 2 | HK3520 | Nadelhülse | Needle bushing |
| 8 | 561 044 0 | 2 | AS3552 | Axialscheibe | Disc |
| 9 | 500 949 0 | 2 | M10x60 | Skt-Schraube | Hexagon head cap screw |
| 10 | 506 218 0 | 2 | A10 | Federring | Spring washer |
| 12 | 506 984 0 | 2 | M10 | Skt-Mutter | Hexagon head cap screw |
| 15 | 21 330 03 52 0 | 1 | RSN 1 | 1) Lasthaken | 1) Load hook |
| | 33 320 00 52 0 | 1 | RSN1 | 2) Lasthaken | 2) Ramshorn hook |
| 25 | 24 330 50 57 0 | 1 | | Lasthakensicherung | Safety catch |
| 26 | 00 325 04 15 0 | 1 | (Pos.26-28) | Sicherungsbügel | Safety loop |
| 27 | 10 325 00 94 0 | 1 | | Doppelschenkelfeder | Double-leg type spring |
| 28 | 00 325 04 16 0 | 1 | | Nietstift | Rivet pin |
| 30 | 05 335 35 45 0 | 2 | 2000 kg | Traglastschild | S.W.L.-sign |
| 31 | 507 831 0 | 8 | 3x5 | Blindniet | Blind rivet |
| 35 | 03 335 01 43 0 | 2 | | Firmenschild | Name plate |
| 36 | 507 831 0 | 8 | 3x5 | Blindniet | Blind rivet |
| 40 | 35 325 01 21 0 | 1 | | Pufferplatte | Buffer |

1) Einfachhaken
2) Doppelhaken

1) Load hook
2) Ramshorn hook



Zone 1

Originalteile
Original parts
T5 ex



Standardsteuergerät / Standard Control switch

| Typ Type | Teil-Nummer Part-Number |
|------------------------|----------------------------|
| SWH 412-003 ex | 04 390 33 79 0 |
| SWH 422-029 ex | 04 390 48 79 0 |
| SwH 422-006 ex | 04 390 42 79 0 |
| SWH 432-033 ex | 04 390 62 79 0 |
| SWH 422-029/420-030 ex | 04 390 82 79 0 |

Sondersteuergeräte:Bitte Typ angeben.

Special control pendants:Please state type when ordering.