

T 4 ex



Kettenzüge
Chain Hoists

Originalteilleiste
Original Parts List





Originalteile
Original parts
T4 ex

Zone 1



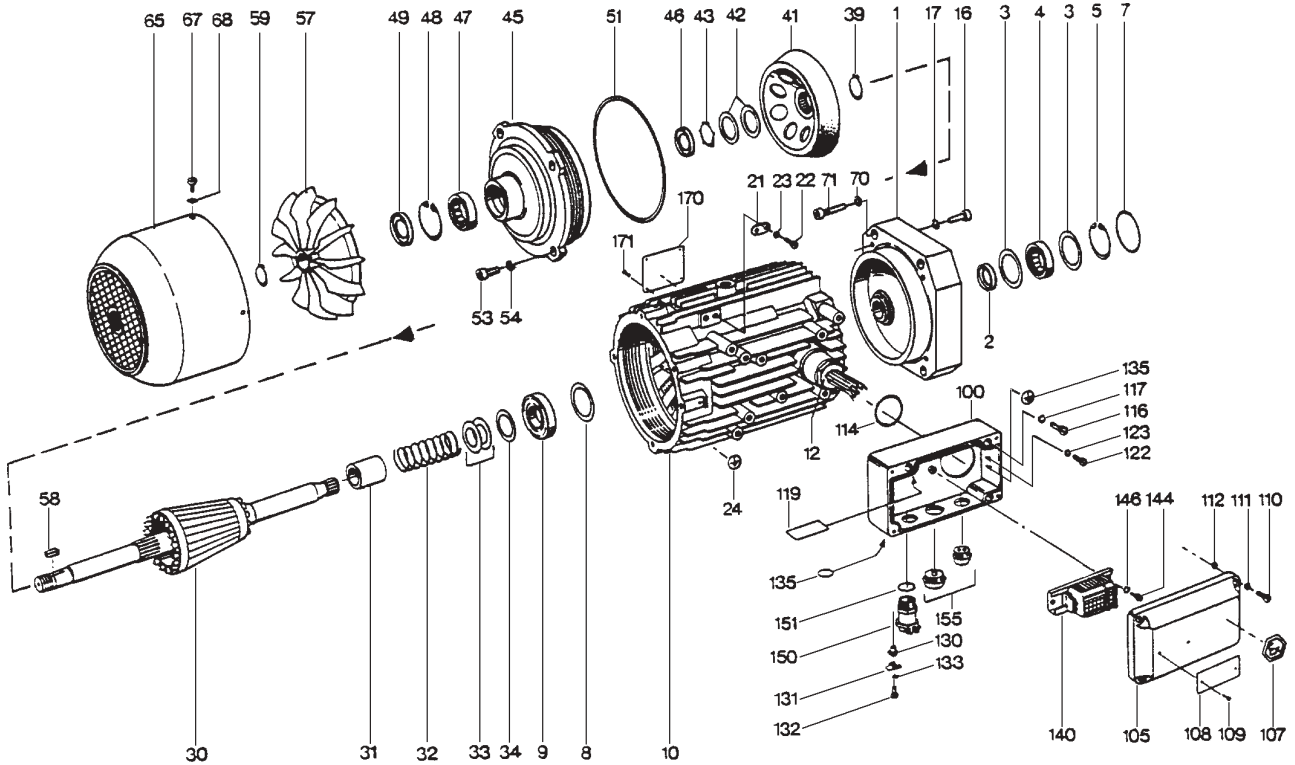
Austausch und Reparaturen nur von geschultem Personal ausführen lassen.

Replacement and repairs may only be carried out by trained personnel.

Die Angaben in der Spalte "Benennung" dienen nur internen Vorgängen.

The information in the column "Designation" is only for internal use.

A08 ex



F 1188

| Pos | Teil-Nummer Part-Number | Stück Piece | Beschreibung Description | Benennung | Designation | | |
|-----|----------------------------|----------------|-----------------------------|-----------|------------------|--------------------------|-----------------------|
| | 38 330 34 11 2 | 1 | 2A08 IIB | *1 1) | (Pos.1-10,16-71) | Motor | Motor |
| | 38 330 35 11 2 | 1 | 2A08 IIC | *1 1) | (Pos.1-10,16-71) | Motor | Motor |
| | 38 330 36 11 2 | 1 | 2/12A08 IIB | *1 1) | (Pos.1-10,16-71) | Motor | Motor |
| | 38 330 37 11 2 | 1 | 2/12A08 IIC | *1 1) | (Pos.1-10,16-71) | Motor | Motor |
| 1 | 38 331 21 03 0 | 1 | | | | Motorflansch | Motor flange |
| 2 | 561 854 0 | 1 | A22x40x8 | | DIN 3760 | Wellendichtring | Shaft seal |
| 3 | 506 805 0 | 1 | 28x40x0,5 | | DIN 988 | Paßscheibe | Adjusting washer |
| 4 | 560 844 0 | 1 | RNU 203 E | | DIN 5412 | Zyl-Rollenlager | Roller bearing |
| 5 | 506 262 0 | 1 | 40x1,75 | | DIN 472 | Sicherungsring | Locking ring |
| 7 | 515 946 0 | 1 | 55x2 | | NB70 | Runddichtring | Round sealing ring |
| 8 | 507 837 0 | 1 | 37x47x0,3 | x) | DIN 988 | Paßscheibe | Adjusting washer |
| 9 | 560 951 0 | 1 | 6005-2RS | | DIN 625 | Rillenkugellager | Grooved ball bearing |
| 10 | 38 330 74 12 9 | 1 | 2A08 | | (Pos.12,100+140) | Stator | Stator |
| | 38 330 75 12 9 | 1 | 2/12A08 | | (Pos.12,100+140) | Stator | Stator |
| 12 | 519 073 0 | 1 | 2A08 | | | Aderleitungsdurchführung | Conductor bushing |
| | 519 074 0 | 1 | 2/12A08 | | | Aderleitungsdurchführung | Conductor bushing |
| 16 | 500 234 0 | 4 | M8x25 | | DIN 912-8.8 | Zyl-Schraube | Socket head cap screw |
| 17 | 506 459 0 | 4 | 8 | | DIN 7980 | Federring | Spring washer |
| 21 | 65 909 15 98 0 | 2 | | | | Lasche | Clip |
| 22 | 502 078 0 | 2 | M6x12 | | DIN 84-4.8 | Zyl-Schraube | Cheese head cap screw |
| 23 | 506 335 0 | 2 | 6 | | DIN 7980 | Federring | Spring washer |
| 24 | 520 906 0 | 1 | 3 S 8 | | | Schild | Sign |
| 30 | 38 330 20 13 0 | 1 | | | 2)3) | Rotor | Rotor |
| | 38 330 23 13 0 | 1 | | | 2)4) | Rotor | Rotor |
| | 38 330 21 13 0 | 1 | | | 2)5) | Rotor | Rotor |



| Pos | Teil-Nummer Part-Number | Stück Piece | Beschreibung Description | Benennung Designation | Designation |
|-----|----------------------------|----------------|-----------------------------|--------------------------|--------------------------|
| 31 | 38 331 20 51 0 | 1 | | Abstandsring | Spacer ring |
| 32 | 38 331 00 94 0 | 1 | | Druckfeder | Pressure spring |
| 33 | 562 935 0 | 2 | | Tellerfeder | Belleville spring washer |
| 34 | 507 804 0 | 1 | A22 | Sprengtring | Snap ring |
| 39 | 506 096 0 | 1 | 22x1,2 | Sicherungsring | Locking ring |
| 41 | 38 330 00 18 0 | 1 | | Bremsscheibe | Brake disc |
| 42 | 562 934 0 | 2 | | Tellerfeder | Belleville spring washer |
| 43 | 506 096 0 | 1 | 22x1,2 | Sicherungsring | Locking ring |
| 45 | 38 330 03 37 0 | 1 | | Motordeckel | Motor cover |
| | 38 330 02 37 0 | 1 | 6) | (Pos.46-51) | (Pos.46-51) |
| 46 | 561 060 0 | 1 | A19x35x7 | Wellendichtring | Shaft seal |
| 47 | 560 843 0 | 1 | RNU 202 E | Zyl-Rollenlager | Roller bearing |
| 48 | 506 261 0 | 1 | 35x1,5 | Sicherungsring | Locking ring |
| 49 | 561 060 0 | 1 | A19x35x7 | Wellendichtring | Shaft seal |
| 51 | 515 928 0 | 1 | 135x3 | Runddichtring | Round sealing ring |
| 53 | 500 230 0 | 4 | M6x12 | Zyl-Schraube | Socket head cap screw |
| 54 | 506 335 0 | 4 | 6 | Federring | Spring washer |
| 57 | 32 251 00 15 0 | 1 | | Lüfterrad | Fan wheel |
| 58 | 537 936 0 | 1 | 5x6,5 | Scheibenfeder | Woodruf key |
| 59 | 506 890 0 | 1 | 14x1 | Sicherungsring | Locking ring |
| 65 | 38 331 20 40 0 | 1 | | Lüfterhaube | Fan cowling |
| 67 | 500 419 0 | 4 | M5x8 | Skt-Schraube | Hexagon head cap screw |
| 68 | 506 900 0 | 4 | 5 | Federring | Spring washer |
| 70 | 506 335 0 | 4 | 6 | Federring | Spring washer |
| 71 | 500 231 0 | 4 | M6x20 | Zyl-Schraube | Socket head cap screw |
| 100 | 02 220 20 02 0 | 1 | | Anschlußkasten | Terminal box |
| 105 | 02 220 20 21 0 | 1 | | Anschlußkastendeckel | Terminal box cover |
| 107 | 25 339 25 42 0 | 1 | EEX | Schild | Sign |
| 108 | 43 339 20 42 0 | 1 | | Anweisungsschild | Information sign |
| 109 | 504 999 0 | 4 | 2x4 | Kerbnagel | Grooved drive stud |
| 110 | 502 072 0 | 4 | M5x20 | Zyl-Schraube | Cheese head cap screw |
| 111 | 506 900 0 | 4 | 5 | Federring | Spring washer |
| 112 | 515 805 0 | 4 | 4,5x1,5 | Runddichtring | Round sealing ring |
| 114 | 519 969 0 | 1 | 42x2 | Runddichtring | Round sealing ring |
| 116 | 502 079 0 | 3 | M6x16 | Zyl-Schraube | Cheese head cap screw |
| 117 | 506 335 0 | 3 | 6 | Federring | Spring washer |
| 119 | 43 339 00 42 0 | 1 | | Anweisungsschild | Information sign |
| 122 | 502 051 0 | 1 | M4x8 | Zyl-Schraube | Cheese head cap screw |
| 123 | 506 374 0 | 1 | 4 | Fedderring | Spring washer |
| 130 | 82 169 01 50 0 | 1 | | Buchse | Bushing |
| 131 | 517 011 0 | 1 | D10 | Klemmbügel | Clamping saddle |
| 132 | 502 069 0 | 1 | M5x12 | Zyl-Schraube | Cheese head cap screw |
| 133 | 506 900 0 | 1 | 5 | Federring | Spring washer |
| 135 | 520 906 0 | 2 | 3 S 8 | Schild | Sign |
| 140 | 42 330 30 89 0 | 1 | 2A08 | Klemmleiste | Terminal strip |
| | 42 330 31 89 0 | 1 | 2/12A08 | (Pos.144+146) | (Pos.144+146) |
| 144 | 502 051 0 | 2 | M4x8 | Zyl-Schraube | Cheese head cap screw |
| 146 | 506 374 0 | 2 | 4 | Federring | Spring washer |
| 150 | 519 059 0 | | Pg16 | Kabelverschraubung | Conduit gland |
| | 519 047 0 | | Pg21 | | |
| 151 | 518 860 0 | | 20x2 | Dichtring | Sealing ring |
| | 518 942 0 | | 24x2 | | |
| 155 | 519 134 0 | | Pg16 | Verschlußstopfen | Plug |
| | 519 135 0 | | Pg21 | | |
| | 519 136 0 | | Pg29 | | |
| 170 | 33 320 23 80 0 | 1 | | Typenschild | Type plate |
| 171 | 504 999 0 | 4 | 2x4 | Kerbnagel | Grooved drive stud |

*1 Bitte angeben:Abtriebswelle linksschräg;rechtsschräg;geradverzahnt
Auswahl siehe Seite 7.

- 1) Bitte Betriebsspannung und Frequenz angeben.
- 2) Pos.32+33 immer mitbestellen
- 3) Ausführung linksschräg
- 4) Ausführung rechtsschräg
- 5) Ausführung geradverzahnt
- 6) hartverchromt
- x) Stückzahl nach Bedarf

*1 Please state:with output shaft left-handed:right-handed; spur-toothed
Selection see page 7.

- 1) Please state operating voltage and frequency.
- 2) Always included items 32+33 in order
- 3) Left-hand design
- 4) Right-hand design
- 5) Spur-toothed design
- 6) Hard chrome plated
- x) Quantity as required

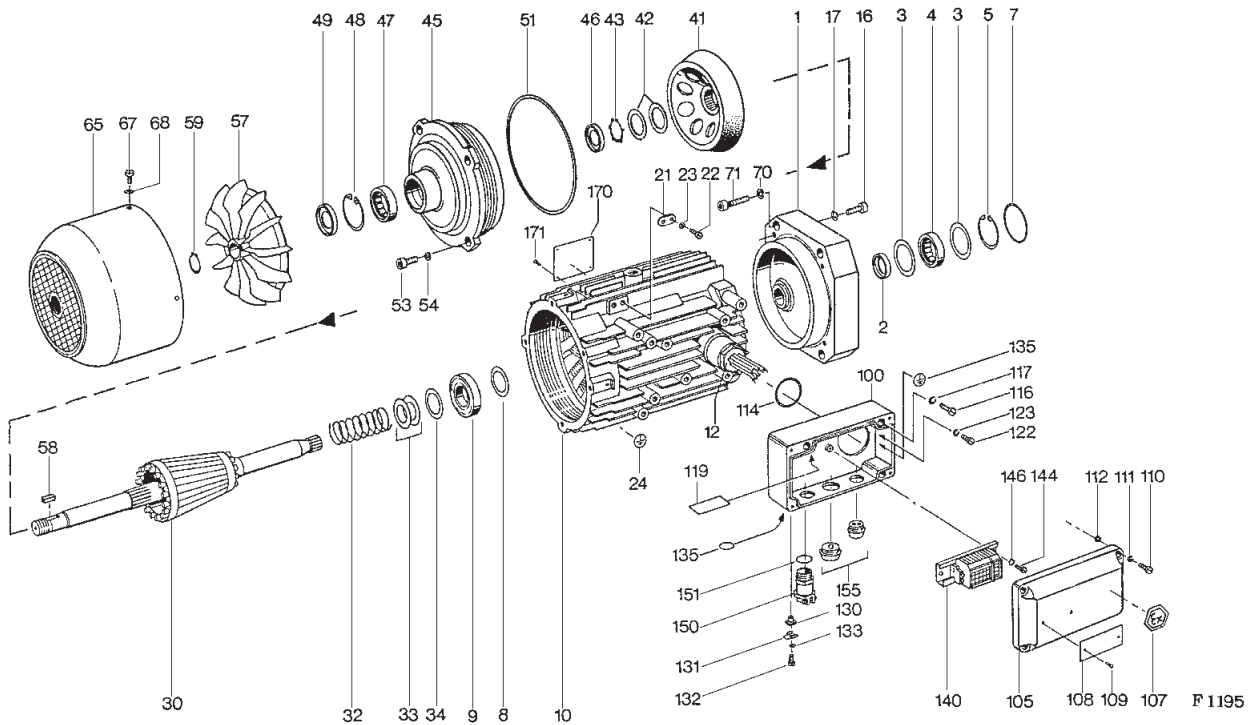


Originalteile
Original parts
T4 ex

Zone 1



A1 ex



| Pos | Teil-Nummer Part-Number | Stück Piece | Beschreibung Description | Benennung Designation |
|-----|----------------------------|----------------|-----------------------------------|--------------------------|
| | 41 330 30 11 2 | 1 | 2A1 IIB *1 1) (Pos.1-10,16-71) | Motor |
| | 41 330 32 11 2 | 1 | 2A1 IIC *1 1) (Pos.1-10,16-71) | Motor |
| | 41 330 31 11 2 | 1 | 2/12A1 IIB *1 1) (Pos.1-10,16-71) | Motor |
| | 41 330 33 11 2 | 1 | 2/12A1 IIC *1 1) (Pos.1-10,16-71) | Motor |
| 1 | 41 331 21 03 0 | 1 | | Motorflansch |
| 2 | 561 854 0 | 1 | A22x40x8 | Wellendichtring |
| 3 | 506 805 0 | 1 | 28x40x0,5 | Paßscheibe |
| 4 | 560 844 0 | 1 | RNU 203 E | Zyl-Rollenlager |
| 5 | 506 262 0 | 1 | 40x1,75 | Sicherungsring |
| 7 | 515 946 0 | 1 | 55x2 | Runddichtring |
| 8 | 507 837 0 | 1 | 37x47x0,3 | Paßscheibe |
| 9 | 560 951 0 | 1 | 6005-2RS | Rillenkugellager |
| 10 | 41 330 77 12 9 | 1 | 2A1 (Pos.12,100+140) | Stator |
| | 41 330 76 12 9 | 1 | 2/12A1 (Pos.12,100+140) | Stator |
| 12 | 519 073 0 | 1 | 2A1 | Aderleitungsdurchführung |
| | 519 074 0 | 1 | 2/12A1 | Conductor bushing |
| 16 | 500 234 0 | 4 | M8x25 | Zyl-Schraube |
| 17 | 506 459 0 | 4 | 8 | Federring |
| 21 | 65 909 15 98 0 | 2 | | Lasche |
| 22 | 502 078 0 | 2 | M6x12 | Zyl-Schraube |
| 23 | 506 335 0 | 2 | 6 | Federring |
| 24 | 520 906 0 | 1 | 3 S 8 | Schild |
| 30 | 41 330 20 13 0 | 1 | | Rotor |
| | 41 330 22 13 0 | 1 | | |
| | 41 330 21 13 0 | 1 | | |



| Pos | Teil-Nummer Part-Number | Stück Piece | Beschreibung Description | Benennung Designation | Designation |
|-----|----------------------------|----------------|-----------------------------|--------------------------|--------------------------|
| 32 | 41 331 00 94 0 | 1 | | Druckfeder | Pressure spring |
| 33 | 562 955 0 | 2 | DIN 2093 | Tellerfeder | Belleville spring washer |
| 34 | 507 804 0 | 1 | A22 DIN 7993 | Sprengring | Snap ring |
| 39 | 506 097 0 | 1 | 25x1,2 DIN 471 | Sicherungsring | Locking ring |
| 41 | 41 330 20 18 0 | 1 | | Bremsscheibe | Brake disc |
| 42 | 562 939 0 | 2 | DIN 2093 | Tellerfeder | Belleville spring washer |
| 43 | 506 097 0 | 1 | 25x1,2 DIN 471 | Sicherungsring | Locking ring |
| 45 | 41 330 03 37 0 | 1 | (Pos.46-51) | Motordeckel | Motor cover |
| | 41 330 02 37 0 | 1 | 6) (Pos.46-51) | | |
| 46 | 561 060 0 | 1 | A19x35x7 DIN 3760 | Wellendichtring | Shaft seal |
| 47 | 560 843 0 | 1 | RNU 202 E DIN 5412 | Zyl- Rollenlager | Roller bearing |
| 48 | 506 261 0 | 1 | 35x1,5 DIN 472 | Sicherungsring | Locking ring |
| 49 | 561 060 0 | 1 | A19x35x7 DIN 3760 | Wellendichtring | Shaft seal |
| 51 | 515 980 0 | 1 | 160x4 NB70 | Runddichtring | Round sealing ring |
| 53 | 500 230 0 | 4 | M6x12 DIN 912-8.8 | Zyl-Schraube | Socket head cap screw |
| 54 | 506 335 0 | 4 | 6 DIN 7980 | Federring | Spring washer |
| 56 | 506 844 0 | 1 | 15x21x1,5 DIN 988-S | Stützscheibe | Supporting ring |
| 57 | 576 030 0 | 1 | V100R/15 | Lüfterrad | Fan wheel |
| 58 | 537 936 0 | 1 | 5x6,5 DIN 6888 | Scheibenfeder | Woodruf key |
| 59 | 506 093 0 | 1 | 15x1 DIN 471 | Sicherungsring | Locking ring |
| 65 | 41 331 20 40 0 | 1 | | Lüfterhaube | Fan cowling |
| 67 | 500 419 0 | 4 | M5x8 DIN 933 | Skt-Schraube | Hexagon head cap screw |
| 68 | 506 900 0 | 4 | 5 DIN 7980 | Federring | Spring washer |
| 70 | 506 459 0 | 4 | 8 DIN 7980 | Federring | Spring washer |
| 71 | 500 234 0 | 4 | M8x25 DIN 912-8.8 | Zyl-Schraube | Socket head cap screw |
| 100 | 02 220 20 02 0 | 1 | (Pos.105,114,-135) | Anschlußkasten | Terminal box |
| 105 | 02 220 20 21 0 | 1 | (Pos.107-112) | Anschlußkastendeckel | Terminal box cover |
| 107 | 25 339 25 42 0 | 1 | EEX | Schild | Sign |
| 108 | 43 339 20 42 0 | 1 | | Anweisungsschild | Information sign |
| 109 | 504 999 0 | 4 | 2x4 | Kerbnagel | Grooved drive stud |
| 110 | 502 072 0 | 4 | M5x20 DIN 84-5.8 | Zyl-Schraube | Cheese head cap screw |
| 111 | 506 900 0 | 4 | 5 DIN 7980 | Federring | Spring washer |
| 112 | 515 805 0 | 4 | 4,5x1,5 -BL-BN170 | Runddichtring | Round sealing ring |
| 114 | 519 969 0 | 1 | 42x2 | Runddichtring | Round sealing ring |
| 116 | 502 079 0 | 3 | M6x16 DIN 84-4.8 | Zyl-Schraube | Cheese head cap screw |
| 117 | 506 335 0 | 3 | 6 DIN 7980 | Federring | Spring washer |
| 119 | 43 339 00 42 0 | 1 | | Anweisungsschild | Information sign |
| 122 | 502 051 0 | 1 | M4x8 DIN 84 | Zyl-Schraube | Cheese head cap screw |
| 123 | 506 374 0 | 1 | 4 DIN 7980 | Federring | Spring washer |
| 130 | 82 169 01 50 0 | 1 | | Buchse | Bushing |
| 131 | 517 011 0 | 1 | D10 | Klemmbügel | Clamping saddle |
| 132 | 502 069 0 | 1 | M5x12 DIN 84 | Zyl-Schraube | Cheese head cap screw |
| 133 | 506 900 0 | 1 | 5 DIN 7980 | Federring | Spring washer |
| 135 | 520 906 0 | 2 | 3 S 8 | Schild | Sign |
| 140 | 42 330 30 89 0 | 1 | 2A1 (Pos.144+146) | Klemmleiste | Terminal strip |
| | 42 330 31 89 0 | 1 | 2/12A1 (Pos.144+146) | | |
| 144 | 502 051 0 | 2 | M4x8 DIN 84-5.8 | Zyl-Schraube | Cheese head cap screw |
| 146 | 506 374 0 | 2 | 4 DIN 7980 | Federring | Spring washer |
| 150 | 519 059 0 | | Pg16 x) | Kabelverschraubung | Conduit gland |
| | 519 047 0 | | Pg21 x) | | |
| 151 | 518 860 0 | | 20x2 x) | Dichtring | Sealing ring |
| | 518 942 0 | | 24x2 x) | | |
| 155 | 519 134 0 | | Pg16 x) | Verschlußstopfen | Plug |
| | 519 135 0 | | Pg21 x) | | |
| | 519 136 0 | | Pg29 x) | | |
| 170 | 33 320 23 80 0 | 1 | (Pos.171) | Typenschild | Type plate |
| 171 | 504 999 0 | 4 | 2x4 DIN 1476 | Kerbnagel | Grooved drive stud |

*1 Bitte angeben: Abtriebswelle linksschräg; rechtsschräg; geradverzahnt
Auswahl siehe Seite 7.

- 1) Bitte Betriebsspannung und Frequenz angeben.
- 2) Pos.31-33 immer mitbestellen
- 3) Ausführung linksschräg
- 4) Ausführung rechtsschräg
- 5) Ausführung geradverzahnt
- 6) hartverchromt
- x) Stückzahl nach Bedarf

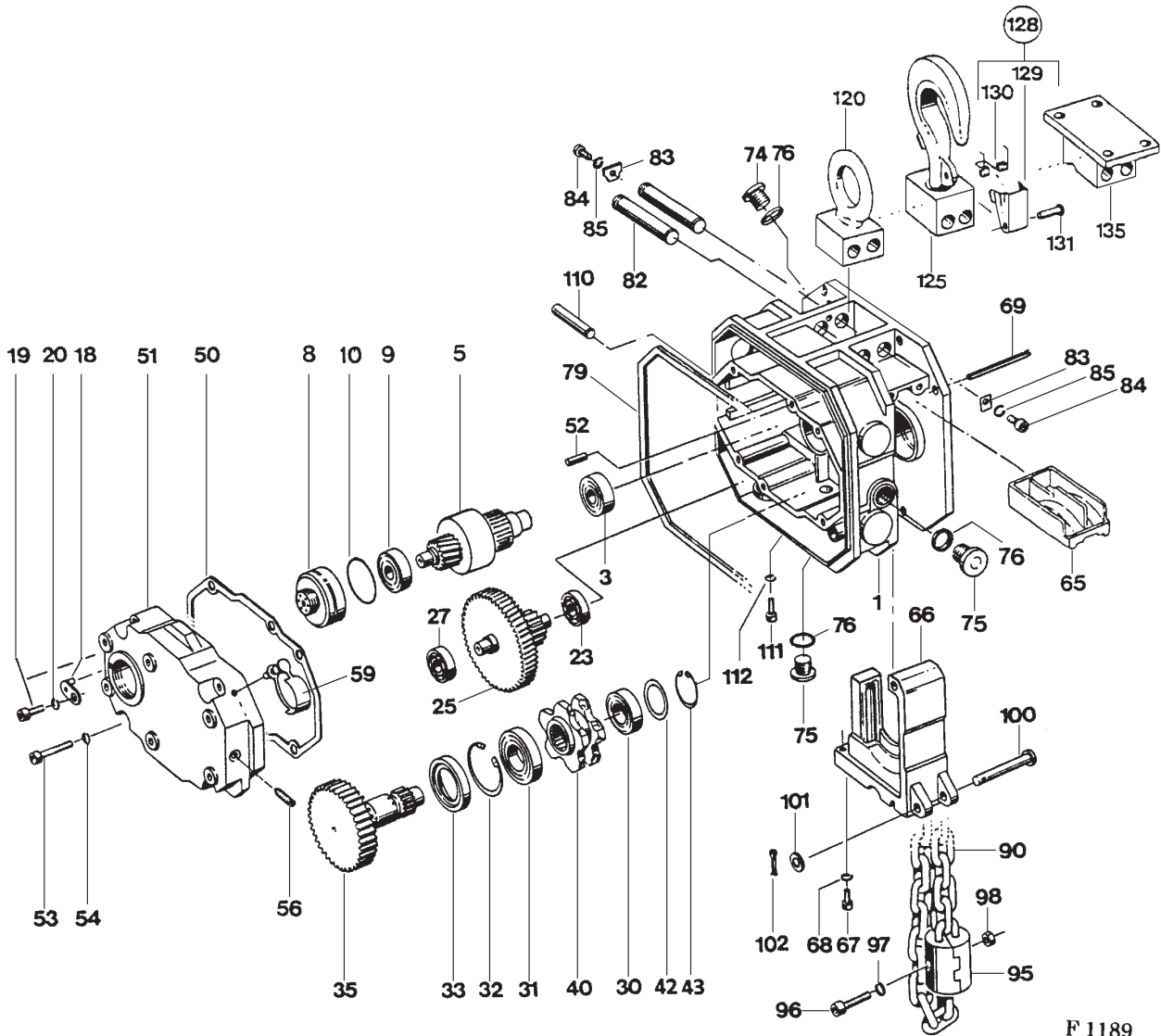
*1 Please state: with output shaft left-handed; right-handed; spur-toothed
Selection see page 7.

- 1) Please state operating voltage and frequency.
- 2) Always included items 31-33 in order
- 3) Left-hand design
- 4) Right-hand design
- 5) Spur-toothed design
- 6) Hard chrome plated
- x) Quantity as required



Originalteile
Original parts
T4 ex

Zone 1



F 1189

| Pos | Teil-Nummer Part-Number | Stück Piece | Beschreibung Description | Benennung Designation | |
|-----|----------------------------|----------------|-----------------------------|---------------------------|-----------------------|
| | 34 320 20 30 0 | 1 | A08 ex-50 Hz T405 - 7 | *1 (Pos.1-79) Getriebe | Gear |
| | 34 320 20 30 0 | 1 | A08 ex-60 Hz T405 - 9 | *1 (Pos.1-79) | |
| | 34 320 21 30 0 | 1 | A1 ex-50 Hz T405 - 12 | *1 (Pos.1-79) | |
| | 34 320 21 30 0 | 1 | A1 ex-60 Hz T405 - 15 | *1 (Pos.1-79) | |
| 1 | 34 323 01 01 0 | 1 | | Getriebegehäuse | Gear box |
| 3 | 560 104 0 | 1 | 7302 B | Schrägkugellager | Angular ball bearing |
| 5 | | 1 | | Rutschkupplung | Sliding clutch |
| 8 | 34 323 00 50 0 | 1 | | Verstellbuchse | Adjusting bush |
| 9 | 560 104 0 | 1 | 7302 B | Schrägkugellager | Angular ball bearing |
| 10 | 515 978 0 | 1 | 50x3 | Runddichtring | Round sealing ring |
| 18 | 33 323 00 89 0 | 1 | | Sicherungsblech | Locking plate |
| 19 | 500 230 0 | 1 | M6x12 | Zyl-Schraube | Socket head cap screw |
| 20 | 506 235 0 | 1 | 6 | Federring | Spring washer |
| 23 | 560 003 0 | 1 | 6203 | Rillenkugellager | Grooved ball bearing |
| 25 | 34 323 07 11 0 | 1 | Z=87 | Zahnrad | Gear wheel |
| | 34 323 09 11 0 | 1 | Z=82 | | |
| 27 | 560 101 0 | 1 | 6003-2Z | Rillenkugellager | Grooved ball bearing |
| 30 | 560 073 0 | 1 | 6205-2RS | Rillenkugellager | Grooved ball bearing |
| 31 | 560 866 0 | 1 | 6006-2RS | Rillenkugellager | Grooved ball bearing |
| 32 | 506 108 0 | 1 | 62x2 | Sicherungsring | Locking ring |
| 33 | 561 865 0 | 1 | A38x62x7 | Wellendichtring | Shaft seal |
| 35 | 34 323 14 11 0 | 1 | Z=40 | Ritzelwelle | Pinion |



| Pos | Teil-Nummer Part-Number | Stück Piece | Beschreibung Description | Benennung Designation |
|-----|----------------------------|----------------|-----------------------------|---|
| 40 | 34 324 00 16 0 | 1 | | Kettenuß Sprocket wheel |
| 42 | 507 024 0 | 1 | S25x35x2 DIN 988 | Stützscheibe Supporting ring |
| 43 | 506 097 0 | 1 | 25x1,2 DIN 471 | Sicherungsring Locking ring |
| 50 | 34 323 00 95 0 | 1 | | Dichtung Seal |
| 51 | 34 323 07 02 0 | 1 | | Getriebedeckel Gear cap |
| 52 | 504 120 0 | 2 | 6m16x18 DIN 7 | Zyl-Stift Dowel pin |
| 53 | 500 969 0 | 6 | M6x35 DIN 912-8.8 | Zyl-Schraube Socket head cap screw |
| 54 | 506 335 0 | 6 | 6 DIN 7980 | Federring Spring washer |
| 56 | 503 966 0 | 2 | M5x16 | Gewindestift Threaded pin |
| 59 | 33 323 00 97 0 | 1 | | Entlüftungsstopfen Drain plug |
| 65 | 34 324 00 32 0 | 1 | | Einlegeteil Insert part |
| 66 | 34 324 00 30 0 | 1 | | Kettenführung Chain guide |
| 67 | 500 841 0 | 2 | M8x20 | Zyl-Schraube Socket head cap screw |
| 68 | 506 459 0 | 2 | 8 DIN 7980 | Federring Spring washer |
| 69 | 504 248 0 | 1 | 10x80 DIN 1481 | Spannstift Dowel sleeve |
| 74 | 32 250 00 57 0 | 1 | | Verschlußschraube Screw plug |
| 75 | 503 954 0 | 2 | M16x1,5 DIN 908 | Verschlußschraube Screw plug |
| 76 | 515 004 0 | 3 | C16x20 DIN 7603 | Dichtring Sealing ring |
| 79 | 33 329 01 95 0 | 1 | | Dichtung Seal |
| 82 | 34 322 02 92 0 | 2 | | Aufhängebolzen Suspension bolt |
| 83 | 34 322 01 89 0 | 2 | | Sicherungsblech Locking plate |
| 84 | 500 233 0 | 2 | M6x16 DIN 912-8.8 | Zyl-Schraube Socket head cap screw |
| 85 | 506 411 0 | 2 | A6,4 DIN 6797 | Zahnscheibe External teeth lock washer |
| 90 | 331 001 9 | | 2) HE-G80 RAS | Kette Chain |
| 95 | 33 320 02 27 0 | 1 | (Pos.96-98) | Kettenanschlaguß Chain stop |
| 96 | 500 232 0 | 2 | M6x25 DIN 912-8.8 | Zyl-Schraube Socket head cap screw |
| 97 | 506 335 0 | 2 | 6 DIN 7980 | Federring Spring washer |
| 98 | 506 281 0 | 2 | M6 DIN 934-8 | Skt-Mutter Hexagonal nut |
| 100 | 33 322 01 92 0 | 1 | | Bolzen Bolt |
| 101 | 506 021 0 | 1 | B8,4 DIN 125 | Scheibe Disc |
| 102 | 504 042 0 | 1 | 2x16 DIN 97 | Splint Cotter pin |
| 110 | 35 324 00 92 0 | 1 | | Bolzen Bolt |
| 111 | 500 843 0 | 1 | M6x10 DIN 912-8.8 | Zyl-Schraube Socket head cap screw |
| 112 | 506 459 0 | 1 | 6 DIN 7980 | Federring Spring washer |
| 120 | 34 322 00 58 0 | 1 | | Aufhängung Suspension |
| 125 | 34 320 07 28 0 | 1 | (Pos.128) | Aufhängehaken Suspension hook |
| 128 | 34 320 01 57 0 | 1 | (Pos.129-131) | Lasthakensicherung Safety catch |
| 129 | 34 322 02 89 0 | 1 | | Sicherungsklappe Safety loop |
| 130 | 562 972 0 | 1 | | Dehfeder Torsion spring |
| 131 | 00 325 03 16 0 | 1 | | Nietstift Rivet pin |
| 135 | 32 240 01 27 0 | 1 | | Aufhängung Suspension |
| | 32 250 06 65 0 | | 3) 1000 ml | Getriebeöl Gear oil |

*1 Bitte angeben:Vorgelegerad linksschräg;rechtsschräg;geradverzahnt

1) Einzelteile siehe Seite 8

2) Bitte Länge angeben

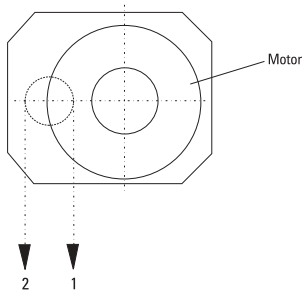
3) Getriebeöl:erforderliche Menge siehe Betriebsanleitung

*1 Please state:layshaft gear left-handed;right-handed;spur-toothed

1) Piece parts see page 8

2) Please state length

3) Quantity of gear oil necessary:see operating instructions



- I) Rotor
- II) Vorgelegerad
- 1) linksschräg
- 2) rechtsschräg
- 3) geradverzahnt

- I) Rotor
- II) Layshaft gear
- 1) Left-hand
- 2) Right-hand
- 3) Spur-toothed

Kettenabgang
Chain departure

Bauteile
Components

Verzahnung
Gearing

1 - standard

I)

1)

II)

2)

2

I)

2)

II)

1)

1+2

I)

3)

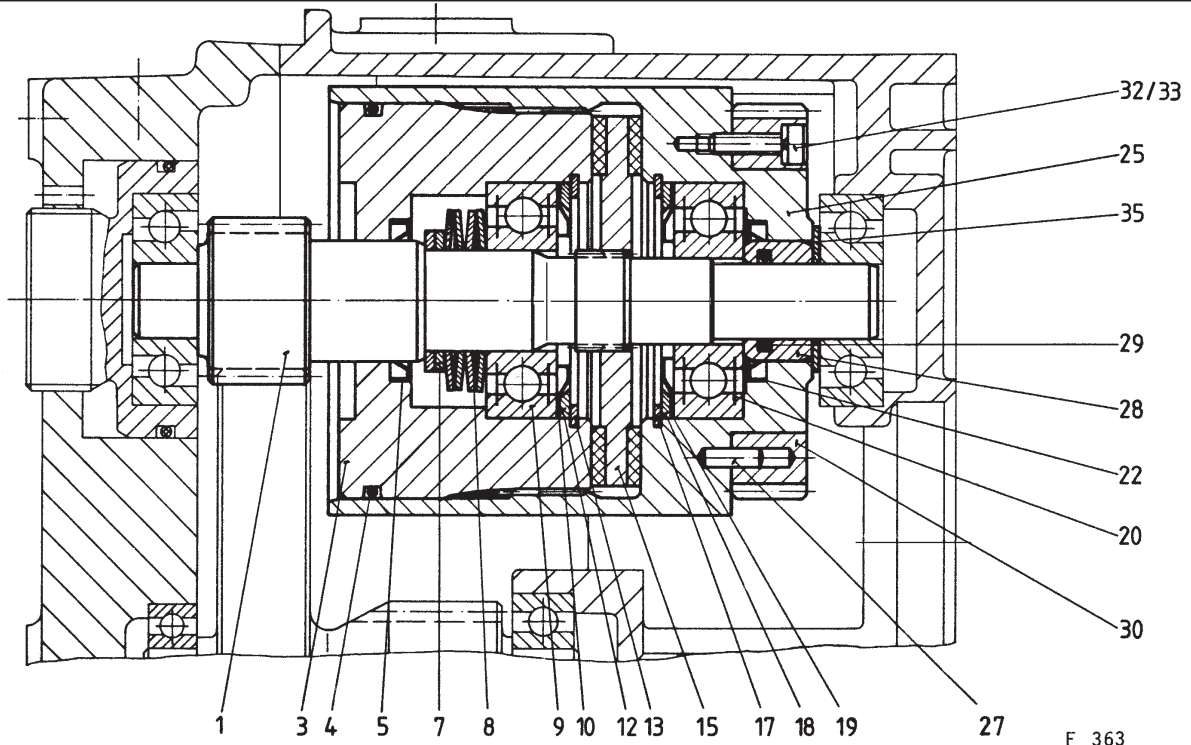
II)

3)



Originalteile
Original parts
T4 ex

Zone 1



F 363

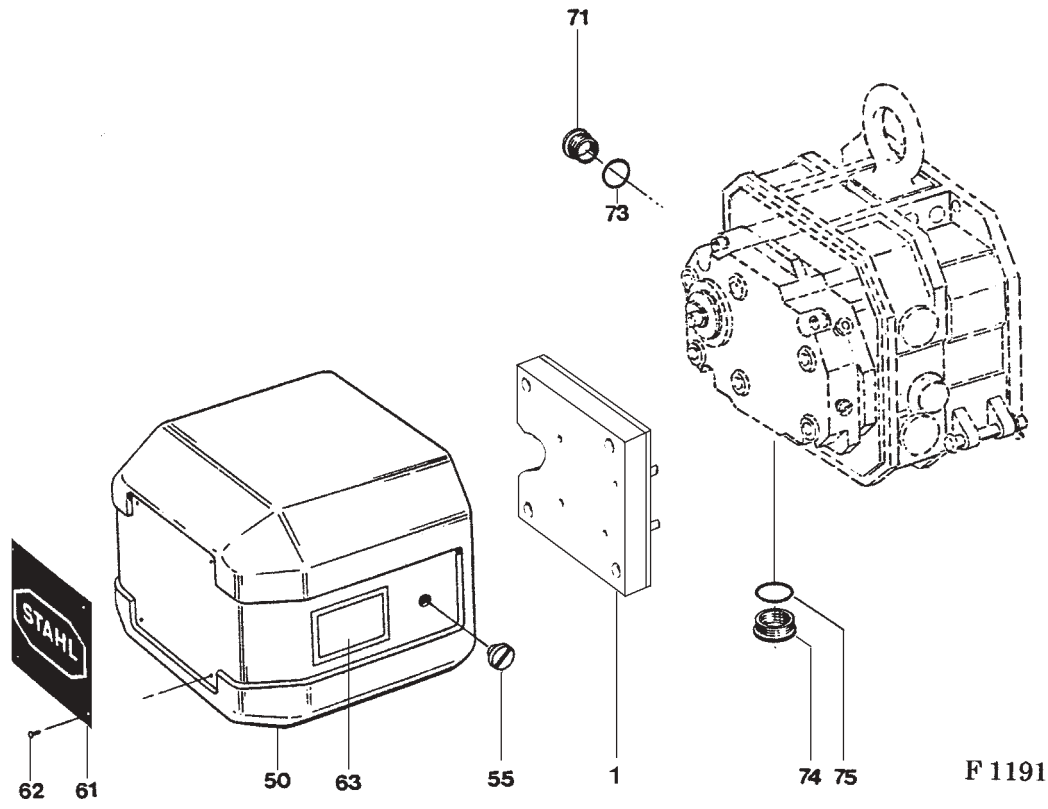
| Pos | Teil-Nummer Part-Number | Stück Piece | Beschreibung Description | Benennung Designation |
|-----|----------------------------|----------------|-------------------------------|---------------------------------------|
| | 34 320 20 33 0 | 1 | RU-T44 8 14 ex *1 T405 A08 ex | Rutschkupplung Slipping clutch |
| | 34 320 21 33 0 | 1 | RU-T44 1 19 ex *1 T405 A1 ex | |
| 1 | 34 320 20 36 0 | 1 | RU-T44 8 14 ex *1 Z=14 | Ritzelwelle Pinion shaft |
| | 34 323 21 15 0 | 1 | RU-T44 1 19 ex *1 Z=19 | |
| 3 | 34 323 20 35 0 | 1 | | Druckring Thrust collar |
| 4 | 515 995 0 | 1 | 72x3 NB 70 | Runddichtring Round sealing ring |
| 5 | 561 896 0 | 1 | 24x32x4 | Wellendichtring Shaft seal |
| 7 | 506 823 0 | 2 | S20x28x2 DIN 988 | Stützscheibe Supporting ring |
| 8 | 562 908 0 | 4 | RU-T44 8 14 ex | Tellerfeder Belleville spring washer |
| | 34 323 20 94 0 | 4 | RU-T44 1 19 ex | |
| 9 | 560 091 0 | 1 | 6204-2RS DIN 625 | Rillenkugellager Grooved ball bearing |
| 10 | 561 899 0 | 1 | 6204 ZJV | Nilosring Nilos-ring |
| 12 | 34 323 20 51 0 | 1 | | Distanzring Spacer ring |
| 13 | 506 106 0 | 1 | 47x1,75 DIN 472 | Sicherungsring Locking ring |
| 15 | 34 320 20 32 0 | 1 | | Kupplungsscheibe Clutch disc |
| 17 | 506 106 0 | 1 | 47x1,75 DIN 472 | Sicherungsring Locking ring |
| 18 | 34 323 20 51 0 | 1 | | Distanzring Spacer ring |
| 19 | 561 056 0 | 1 | 6303 ZJV | Nilosring Nilos-ring |
| 20 | 560 128 0 | 1 | 6303-2RS DIN 625 | Rillenkugellager Grooved ball bearing |
| 22 | 561 896 0 | 1 | 24x32x4 | Wellendichtring Shaft seal |
| 25 | 34 323 20 33 0 | 1 | | Kupplungsgehäuse Clutch housing |
| 27 | 504 800 0 | 4 | 4x12 DIN 1481 | Spannstift Dowel pin |
| 28 | 34 323 21 52 0 | 1 | | Buchse Bushing |
| 29 | 515 992 0 | 1 | 15,6x2,5 NB 70 | Runddichtring Round sealing ring |
| 30 | 34 323 20 16 0 | 1 | RU-T44 8 14 ex 1) Z=60 | Zahnrad Gear wheel |
| | 34 323 21 16 0 | 1 | RU-T44 1 19 ex 1) Z=58 | |
| | 34 323 22 16 0 | 1 | RU-T44 8 14 ex 2) Z=60 | |
| | 34 323 24 16 0 | 1 | RU-T44 1 19 ex 2) Z=58 | |
| | 34 323 23 16 0 | 1 | RU-T44 8 14 ex 3) Z=61 | |
| | 34 323 25 16 0 | 1 | RU-T44 1 19 ex 3) Z=60 | |
| 32 | 501 017 0 | 2 | M4x16 DIN 6912-8.8 | Zyl-Schraube Socket head cap screw |
| 33 | 506 374 0 | 2 | 4 DIN 7980 | Federring Spring washer |
| 35 | 34 323 21 52 0 | 1 | RU-T44 8 14 ex | Scheibe Disc |

*1 Bitte angeben: Vorgelegerad linksschräg; rechtsschräg; geradverzahnt
Auswahl siehe Seite 7.

- 1) Ausführung rechtsschräg
- 2) Ausführung linksschräg
- 3) Ausführung geradverzahnt

*1 Please state: layshaft gear left-handed; right-handed; spur-toothed
Selection see page 7.

- 1) Right-hand design
- 2) Left-hand design
- 3) Spur-toothed design

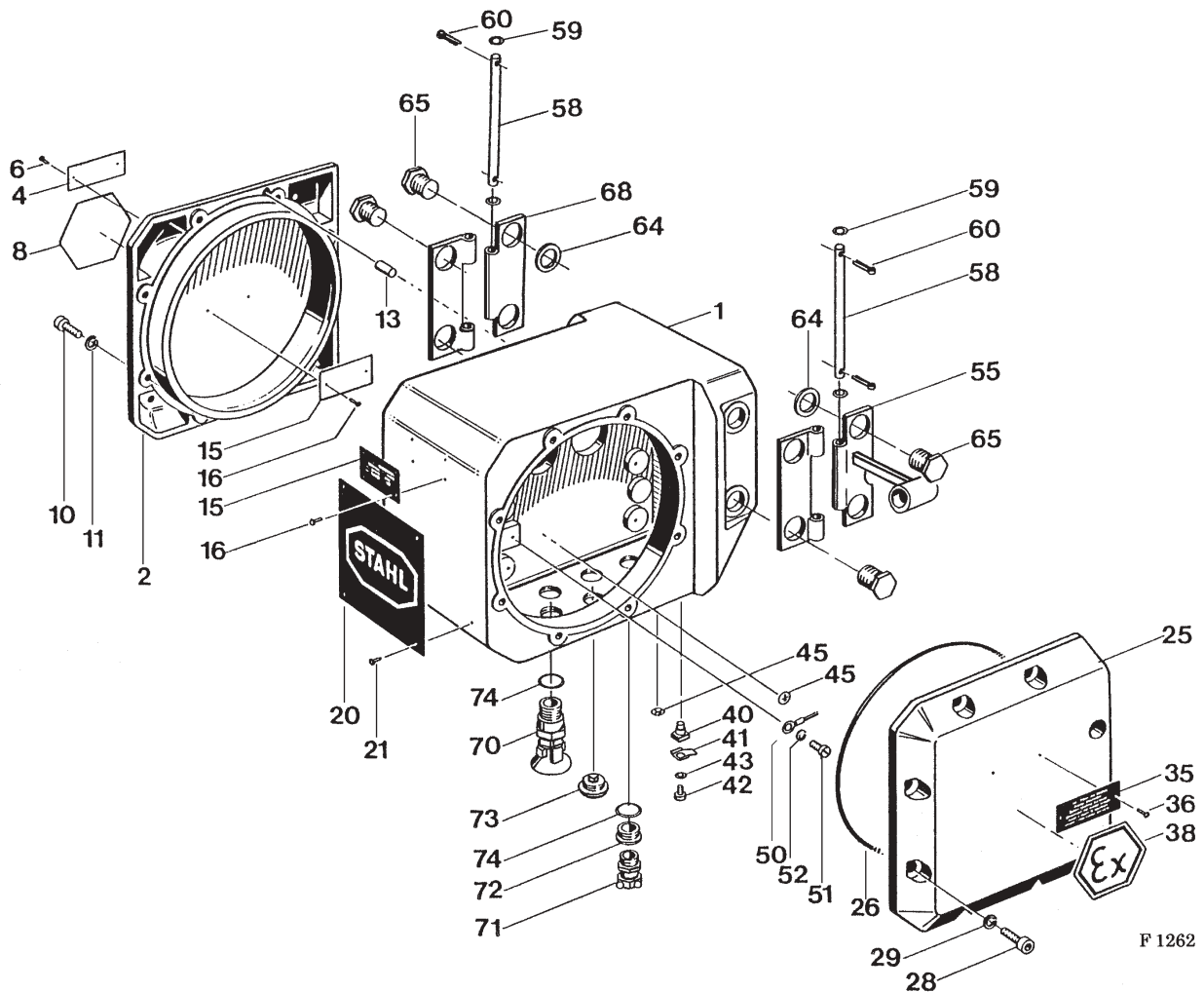


| Pos | Teil-Nummer Part-Number | Stück Piece | Beschreibung Description | Benennung | Designation |
|-----|----------------------------|----------------|-----------------------------|------------------|--------------------|
| 1 | 33 320 65 23 0 | 1 | | Gegengewicht | Counter weight |
| 50 | 34 320 12 95 0 | 1 | (Pos.55-63) | Abschlußhaube | End hood |
| 55 | 33 329 00 91 0 | 2 | | Konumutter | Cone nut |
| 61 | 03 335 00 43 0 | 1 | | Firmenschild | Name plate |
| 62 | 507 831 0 | 4 | DIN 1476 | Blindniet | Blind rivet |
| 63 | 02 323 02 45 0 | 1 | | Hinweisschild | Information sign |
| 71 | 518 018 0 | 4 | Pg16 | Verschlußstopfen | Screw plug |
| 73 | 518 860 0 | 4 | 20x2 | Runddichtring | Round sealing ring |
| 74 | 518 003 0 | 1 | Pg21 | Verschlußstopfen | Screw plug |
| 75 | 518 942 0 | 1 | 24x2 | Runddichtring | Round sealing ring |



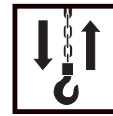
Originalteile
Original parts
T4 ex

Zone 1



F 1262

| Pos | Teil-Nummer Part-Number | Stück Piece | Beschreibung Description | Benennung | Designation |
|-----|----------------------------|----------------|-----------------------------|---------------|-----------------------|
| 1 | 34 320 20 95 0 | 1 | K.-T4-ex IIB (Pos.1-68) | Gerätekasten | Contacteur housing |
| | 34 320 21 95 0 | 1 | K.-T4-ex IIC (Pos.1-68) | | |
| 2 | 33 329 20 21 0 | 1 | d | Kastendeckel | Box cover |
| 4 | 43 339 20 42 0 | 1 | | Hinweisschild | Information sign |
| 6 | 504 999 0 | 2 | 2x4 DIN 1476 | Kerbnagel | Drive stud |
| 8 | 25 339 25 42 0 | 1 | EEx | Schild | Sign |
| 10 | 500 234 0 | 8 | M8x25 DIN 912-8.8 | Zyl-Schraube | Socket head cap screw |
| 11 | 506 459 0 | 8 | DIN 7980 | Federring | Spring washer |
| 13 | 504 222 0 | 1 | 6x14 DIN 1473 | Kerbstift | Dowel pin |



| Pos | Teil-Nummer Part-Number | Stück Piece | Beschreibung Description | Benennung Designation |
|-----|----------------------------|----------------|--------------------------------|--|
| 15 | 33 320 20 80 0 | 1 | (Pos.16) | Typenschild Type plate |
| 16 | 504 999 0 | 2 | 2x4 DIN 1476 | Kerbnagel Drive stud |
| 20 | 42 339 00 43 0 | 1 | | Firmenschild Name plate |
| 21 | 507 831 0 | 4 | 3x5 | Blindniet Blind rivet |
| 25 | 33 329 20 22 0 | 1 | | Kastendeckel Box cover |
| 26 | 515 957 0 | 1 | 230x2 | Runddichtring Round sealing ring |
| 28 | 500 234 0 | 8 | M8x25 DIN 912-8.8 | Zyl-Schraube Socket head cap screw |
| 29 | 506 459 0 | 8 | 8 DIN 7980 | Federring Spring washer |
| 35 | 43 339 20 42 0 | 1 | | Hinweisschild Information sign |
| 36 | 504 999 0 | 2 | 2x4 DIN 1476 | Kerbnagel Drive stud |
| 38 | 25 339 25 42 0 | 1 | EEx | Schild Sign |
| 40 | 82 169 01 50 0 | 1 | | Buchse Bushing |
| 41 | 517 011 0 | 1 | D10 | Klemmbügel Clamping saddle |
| 42 | 502 069 0 | 1 | M5x12 DIN 84 | Zyl-Schraube Cheese head cap screw |
| 43 | 506 900 0 | 1 | 5 DIN 7980 | Federring Spring washer |
| 45 | 520 906 0 | 2 | 3 S 8 | Schiebebild Sign |
| 50 | 517 888 0 | 1 | 4 | Kabelschuh Cable lug |
| 51 | 502 051 0 | 1 | M4x8 | Zyl-Schraube Cheese head cap screw |
| 52 | 506 374 0 | 1 | 4 DIN 7980 | Federring Spring washer |
| 55 | 34 320 50 42 0 | 1 | (Pos.58-65) | Scharnier Hinge |
| 58 | 33 329 20 92 0 | 2 | | Achse Axle |
| 59 | 506 021 0 | 4 | B8,4 DIN 125 | Scheibe Disc |
| 60 | 504 113 0 | 4 | 3,2x16 DIN 94 | Splint Cotter pin |
| 64 | 33 329 20 51 0 | 4 | | Abstandsring Spacer ring |
| 65 | 33 329 20 90 0 | 8 | | Schraube Screw |
| 68 | 34 320 51 42 0 | 1 | (Pos.58-65) | Scharnier Hinge |
| 70 | 25 330 27 94 0 | | Pg16 D10-12mm x) (Pos.74) | Einführungsstutzen Bell mouthed gland |
| | 25 330 20 94 0 | | Pg16 D12,5-14mm x) (Pos.74) | |
| | 25 330 26 94 0 | | Pg21 D12,5-14mm x) (Pos.74) | |
| | 25 330 23 94 0 | | Pg21 D15-16mm x) (Pos.74) | |
| | 25 330 21 94 0 | | Pg21 D18-19mm x) (Pos.74) | |
| | 25 330 24 94 0 | | Pg29 D20-21,5mm x) (Pos.74) | |
| 71 | 519 080 0 | | Pg13,5 x) | Kabelverschraubung Conduiz gland |
| | 519 059 0 | | Pg16 x) | |
| | 519 047 0 | | Pg21 x) | |
| | 519 075 0 | | Pg29 x) | |
| 73 | 519 036 0 | | Pg21/16 x) | Reduziererring Reduction ring |
| | 519 037 0 | | Pg29/21 x) | |
| 74 | 519 133 0 | | Pg13,5 x) | Schraubverschluß Screw plug |
| | 519 134 0 | | Pg16 x) | |
| | 519 135 0 | | Pg21 x) | |
| | 519 136 0 | | Pg29 x) | |
| 75 | 515 956 0 | | 17,5x2,4 x) | Dichtring Sealing ring |
| | 518 860 0 | | 20x2 x) | |
| | 518 942 0 | | 24x2 x) | |
| | 518 943 0 | | 33x2 x) | |

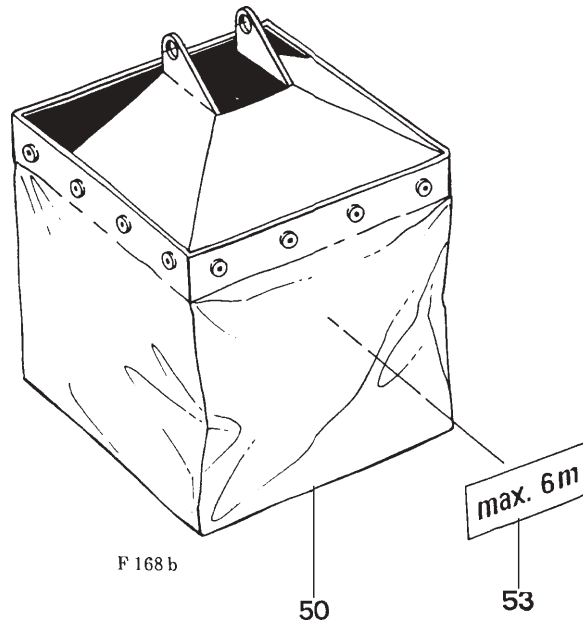
1) Pos.26 immer mitbestellen
x) Stückzahl nach Bedarf

1) Always include Item 26 in order
x) Quantity as required



Originalteile
Original parts
T4 ex

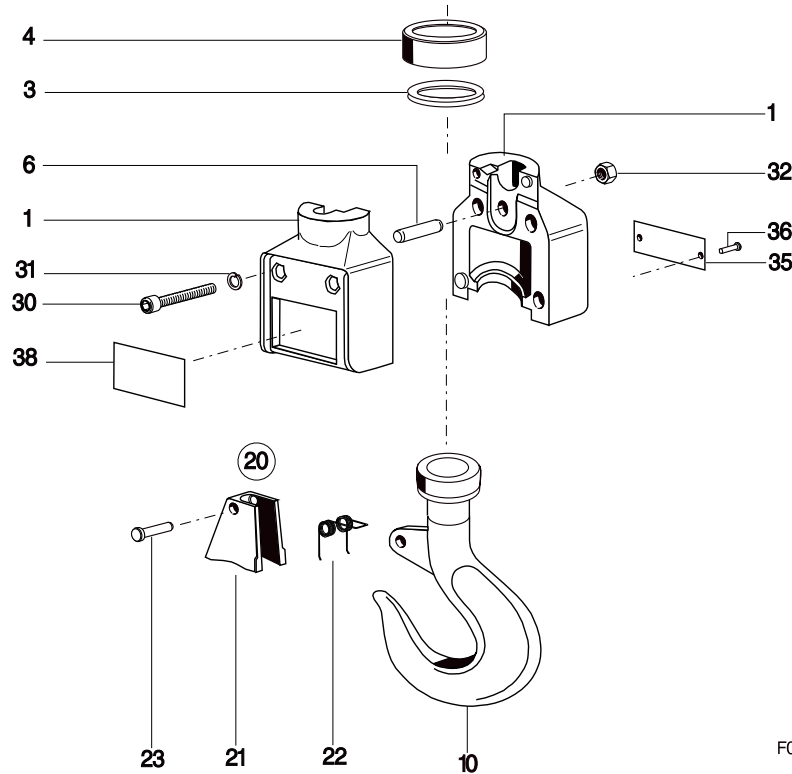
Zone 1



| Pos | Teil-Nummer Part-Number | Stück Piece | Beschreibung Description | Benennung | Designation |
|-----|----------------------------|----------------|-----------------------------|----------------|------------------|
| 50 | 33 322 06 32 0 | 1 | 1) 8m | Kettenspeicher | Chain box |
| | 33 320 26 26 0 | 1 | 2) 16m | | |
| | 33 320 27 26 0 | 1 | 2) 22m | | |
| | 33 320 28 26 0 | 1 | 3) 8m | | |
| | 33 320 29 26 0 | 1 | 3) 16m | | |
| | 33 320 30 26 0 | 1 | 3) 22m | | |
| | 33 320 31 26 0 | 1 | 3) 40m | | |
| 53 | 33 322 12 42 0 | 1 | 8m | Hinweisschild | Information sign |
| | 33 322 13 42 0 | 1 | 16m | | |
| | 33 322 14 42 0 | 1 | 22m | | |
| | 33 322 15 42 0 | 1 | 40m | | |

1) Kunststoff
2) Textil
3) Stahlblech

1) Plastic
2) Textile
3) Sheet steel



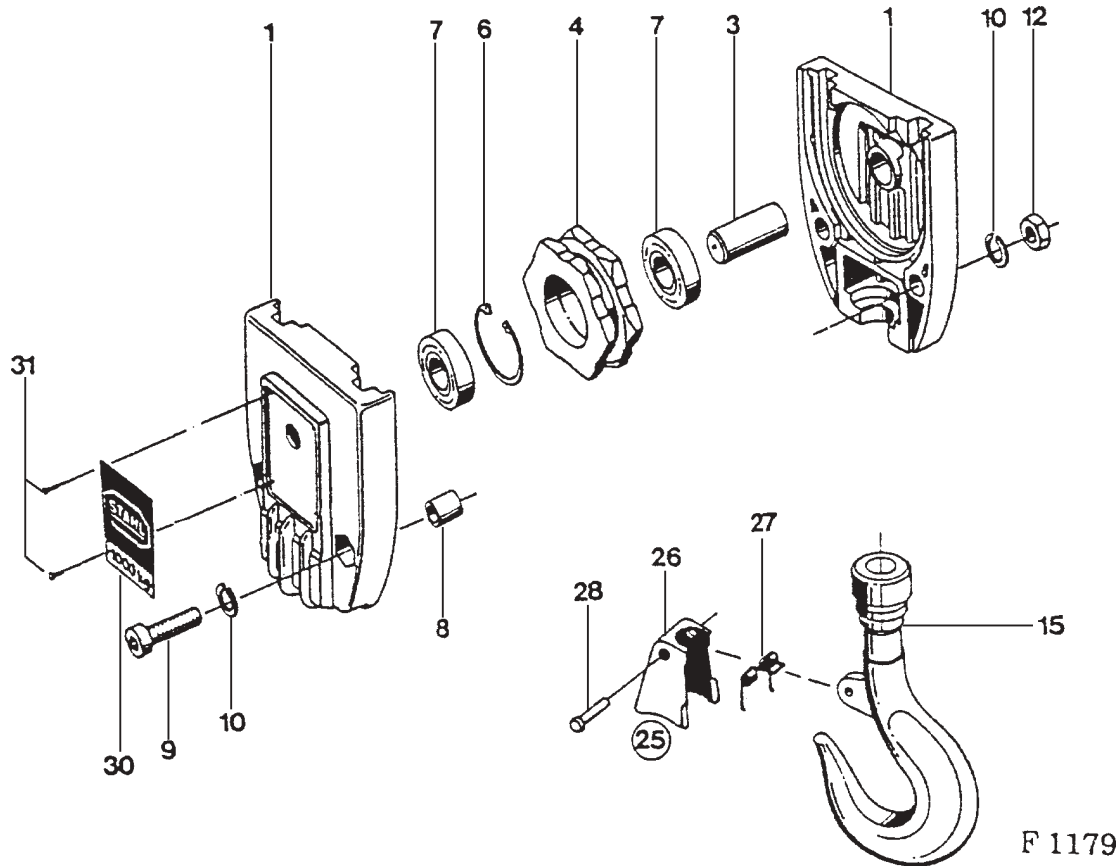
F0029

| Pos | Teil-Nummer Part-Number | Stück Piece | Beschreibung Description | Benennung | Designation |
|-----|----------------------------|----------------|-----------------------------|---------------------|------------------------|
| | 34 320 00 59 0 | 1 | (Pos.1-10,30-38) | Hakengeschirr | Bottom hook block |
| 1 | 34 325 00 13 0 | 2 | | Tragschale | Side cheek |
| 3 | 34 325 00 22 0 | 1 | | Gummiring | Rubber |
| 4 | 34 325 00 21 0 | 1 | | Pufferanschlag | Buffer stop |
| 6 | 34 325 06 92 0 | 1 | | Bolzen | Bolt |
| 10 | 33 320 00 52 0 | 1 | RSN 025 | Lasthaken | Load hook |
| 20 | 02 320 50 56 0 | 1 | (Pos.20) | Lasthakensicherung | Safety catch |
| 21 | 521 904 0 | 1 | (Pos.21-23) | Sicherungsbügel | Safety loop |
| 22 | 562 932 0 | 1 | | Doppelschenkelfeder | Double-leg type spring |
| 23 | 02 325 00 92 0 | 1 | | Nietstift | Rivet pin |
| 30 | 500 980 0 | 2 | M8x45 | Zyl-Schraube | Socket head cap screw |
| 31 | 506 459 0 | 2 | A8 | Federring | Spring washer |
| 32 | 506 282 0 | 2 | M8 | Skt-Mutter | Hexagonal nut |
| 35 | 33 325 01 45 0 | 2 | 500 kg | Traglastschild | S.W.L. sign |
| 36 | 507 831 0 | 2 | 3x5 | Blindniet | Blind rivet |
| 38 | 03 335 08 43 0 | 1 | | Firmenschild | Name plate |



Originalteile
Original parts
T4 ex

Zone 1



F 1179

| Pos | Teil-Nummer Part-Number | Stück Piece | Beschreibung Description | Benennung Designation | Designation |
|-----|----------------------------|----------------|-----------------------------|--------------------------|-----------------------|
| | 34 320 00 50 0 | 1 | 1) (Pos.1-4,8-15,30,31) | Hakenflasche | Bottom hook block |
| | 34 320 05 50 0 | 1 | 2) (Pos.1-4,8-15,30,31) | | |
| 1 | 34 325 00 01 0 | 2 | | Tragschild | Side cheek |
| 3 | 34 325 00 14 0 | 1 | | Bolzen | Bolt |
| 4 | 34 320 00 53 0 | 1 | (Pos.6+7) | Kettenrolle | Chain pulley |
| 6 | 506 105 0 | 1 | 42x1,75 DIN 472 | Sicherungsring | Locking ring |
| 7 | 560 950 0 | 2 | 6004-2RS DIN 625 | Rillenkugellager | Grooved ball bearing |
| 8 | 504 802 0 | 2 | 13x22 DIN 7346 | Spannstift | Spring dowel sleeve |
| 9 | 500 838 0 | 2 | M10x35 DIN 6912-8.8 | Zyl-Schraube | Socket head cap screw |
| 10 | 506 904 0 | 2 | 10 DIN 127 | Federring | Spring washer |
| 12 | 506 984 0 | 2 | M10 DIN 934 | Skt-Mutter | Hexagonal nut |
| 15 | 34 320 00 52 0 | 1 | RSN 05 | 1) Lasthaken | Load hook |
| | 34 320 02 52 0 | 1 | RSN 05 | 2) Ramshorn | |
| 25 | 04 320 50 56 0 | 1 | (Pos.26-28) | Lasthakensicherung | Safety catch |
| 26 | 521 908 0 | 1 | | Sicherungsklappe | Safety loop |
| 27 | 562 972 0 | 1 | | Drehfeder | Torsion spring |
| 28 | 00 325 03 16 0 | 1 | | Nietstift | Rivet pin |
| 30 | 33 325 12 45 0 | 2 | 1000 kg | Traglastschild | S.W.L.-sign |
| 31 | 507 831 0 | 8 | 3x5 | Blindniet | Blind rivet |

1) Einfachhaken
2) Doppelhaken

1) Load hook
2) Ramshorn hook



Zone 1

Originalteile
Original parts
T4 ex



Standardsteuergerät / Standard Control switch

| Ty Type | Teil-Nummer Part-Number |
|------------------------|----------------------------|
| SWH 412-003 ex | 04 390 33 79 0 |
| SWH 422-029 ex | 04 390 48 79 0 |
| SwH 422-006 ex | 04 390 42 79 0 |
| SWH 432-033 ex | 04 390 62 79 0 |
| SWH 422-029/420-030 ex | 04 390 82 79 0 |

Sondersteuergeräte:Bitte Typ angeben.

Special control pendants:Please state type when ordering.