

T 3 ex



Kettenzüge
Chain Hoists

Originalteilleiste
Original Parts List





Originalteile
Original parts
T3 ex

Zone 1



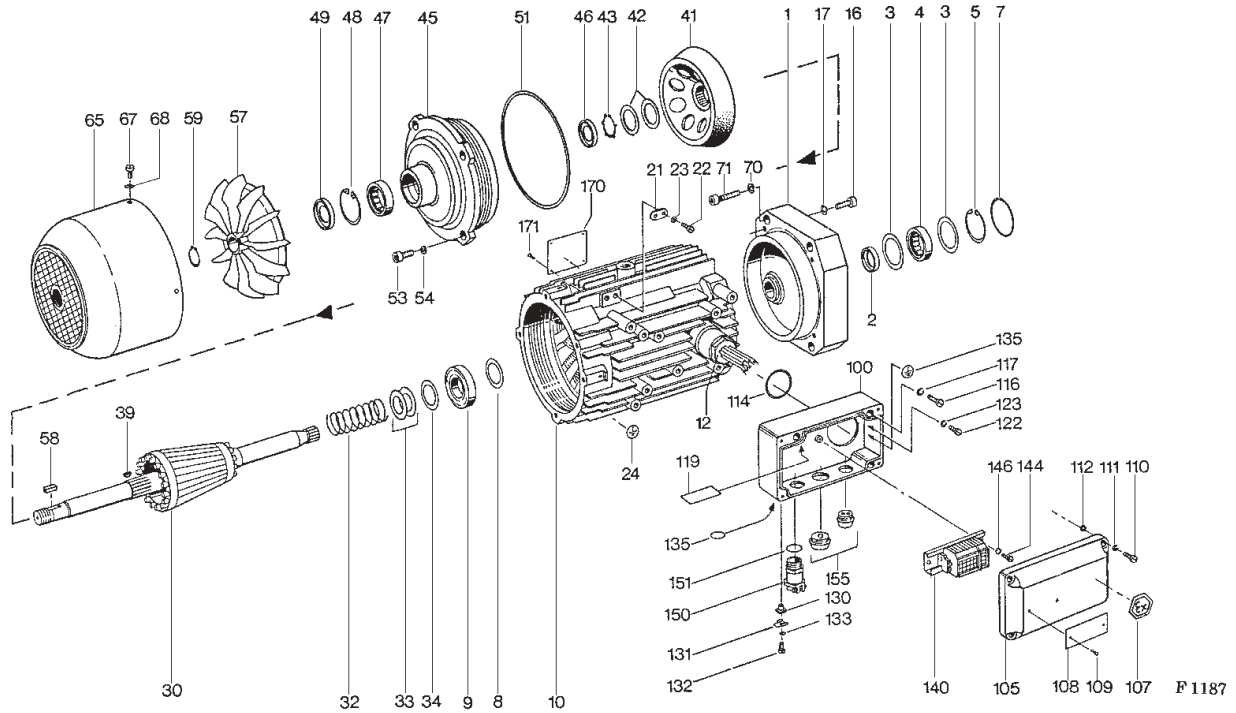
Austausch und Reparaturen nur von geschultem Personal ausführen lassen.

Replacement and repairs may only be carried out by trained personnel.

Die Angaben in der Spalte "Benennung" dienen nur internen Vorgängen.

The information in the column "Designation" is only for internal use.

A05 ex



| Pos | Teil-Nummer Part-Number | Stück Piece | Beschreibung Description | Benennung | Designation | | |
|-----|----------------------------|----------------|-----------------------------|-----------|-------------------|--------------------------|-----------------------|
| | 35 330 50 11 2 | 1 | 2A05 IIB | *1 1) | (Pos.1-10,16-71) | Motor | Motor |
| | 35 330 51 11 2 | 1 | 2A05 IIC | *1 1) | (Pos.1-10,16-71) | Motor | Motor |
| | 35 330 52 11 2 | 1 | 2/8A05 IIB | *1 1) | (Pos.1-10,16-71) | Motor | Motor |
| | 35 330 53 11 2 | 1 | 2/8A05 IIC | *1 1) | (Pos.1-10,16-71) | Motor | Motor |
| 1 | 35 331 21 03 0 | 1 | | | | Motorflansch | Motor flange |
| 2 | 561 893 0 | 1 | 19x32x7 | | DIN 3760 | Wellendichtring | Shaft seal |
| 3 | 506 889 0 | 1 | 25x35x0,5 | | DIN 988 | Paßscheibe | Adjusting washer |
| 4 | 560 843 0 | 1 | RNU 202 E | | DIN 5412 | Zyl-Rollenlager | Roller bearing |
| 5 | 506 261 0 | 1 | 35x1,5 | | DIN 472 | Sicherungsring | Locking ring |
| 7 | 515 946 0 | 1 | 55x2 | | NB70 | Runddichtring | Round sealing ring |
| 8 | 507 837 0 | 1 | 37x47x0,3 | | DIN 988 | Paßscheibe | Adjusting washer |
| 9 | 560 951 0 | 1 | 6005-2RS | | DIN 625 | Rillenkugellager | Grooved ball bearing |
| 10 | 35 330 77 12 9 | 1 | 2A05 | | (Pos.12, 100+140) | Stator | Stator |
| | 35 330 76 12 9 | 1 | 2/8A05 | | (Pos.12, 100+140) | Stator | Stator |
| 12 | 519 073 0 | 1 | 8174/103/0 | | | Aderleitungsdurchführung | Conductor bushing |
| 16 | 500 231 0 | 4 | M6x20 | | DIN 912-8.8 | Zyl-Schraube | Socket head cap screw |
| 17 | 506 335 0 | 4 | 6 | | DIN 7980 | Federring | Spring washer |
| 21 | 65 909 15 98 0 | 2 | | | | Lasche | Clip |
| 22 | 502 078 0 | 2 | M6x12 | | DIN 84-4.8 | Zyl-Schraube | Cheese head cap screw |
| 23 | 506 335 0 | 2 | 6 | | DIN 7980 | Federring | Spring washer |
| 24 | 520 906 0 | 1 | 3 S 8 | | | Schild | Sign |
| 30 | 35 330 22 13 0 | 1 | | 2)3) | | Rotor | Rotor |
| | 35 330 23 13 0 | 1 | | 2)4) | | | |
| | 35 330 24 13 0 | 1 | | 2)5) | | | |



| Pos | Teil-Nummer Part-Number | Stück Piece | Beschreibung Description | Benennung Designation | Designation |
|-----|----------------------------|----------------|-----------------------------|--------------------------|--------------------------|
| 32 | 35 331 20 94 0 | 1 | | Druckfeder | Pressure spring |
| 33 | 562 901 0 | 2 | | Tellerfeder | Belleville spring washer |
| 34 | 507 836 0 | 1 | A20 | Sprengring | Snap ring |
| 39 | 537 936 0 | 1 | 5x6,5 | Scheibenfeder | Woodruff key |
| 41 | 35 330 20 18 0 | 1 | | Bremsscheibe | Brake disc |
| 42 | 562 949 0 | 2 | | Tellerfeder | Belleville spring washer |
| 43 | 506 386 0 | 1 | 17x1 | Sicherungsring | Locking ring |
| 45 | 35 330 02 37 0 | 1 | | Motordeckel | Motor cover |
| | 35 330 01 37 0 | 1 | 6) | | |
| 46 | 561 894 0 | 1 | AS16x28x7 | Wellendichtring | Shaft seal |
| 47 | 560 127 0 | 1 | RNA 4901 | Nadellager | Needle roller bearing |
| 48 | 506 259 0 | 1 | 24x1,2 | Sicherungsring | Locking ring |
| 49 | 561 894 0 | 1 | AS16x28x7 | Wellendichtring | Shaft seal |
| 51 | 515 974 0 | 1 | 115x3 | Runddichtring | Round sealing ring |
| 53 | 500 230 0 | 4 | M6x12 | Zyl-Schraube | Socket head cap screw |
| 54 | 506 335 0 | 4 | 6 | Federring | Spring washer |
| 57 | 576 033 0 | 1 | V71/R14 | Lüfterrad | Fan wheel |
| 58 | 537 936 0 | 1 | 5x6,5 | Scheibenfeder | Woodruff key |
| 59 | 506 890 0 | 1 | 14x1 | Sicherungsring | Locking ring |
| 65 | 35 331 20 40 0 | 1 | | Lüfterhaube | Fan cowling |
| 67 | 500 419 0 | 4 | M5x8 | Skt-Schraube | Hexagon head cap screw |
| 68 | 506 900 0 | 4 | 5 | Federring | Spring washer |
| 70 | 506 335 0 | 4 | 6 | Federring | Spring washer |
| 71 | 500 231 0 | 4 | M6x20 | Zyl-Schraube | Socket head cap screw |
| 100 | 02 220 20 02 0 | 1 | | Anschlußkasten | Terminal box |
| 105 | 02 220 20 21 0 | 1 | | Anschlußkastendeckel | Terminal box cover |
| 107 | 25 339 25 42 0 | 1 | EEX | Schild | Sign |
| 108 | 43 339 20 42 0 | 1 | | Anweisungsschild | Information sign |
| 109 | 504 999 0 | 4 | 2x4 | Kerbnagel | Grooved drive stud |
| 110 | 502 072 0 | 4 | M5x20 | Zyl-Schraube | Cheese head cap screw |
| 111 | 506 900 0 | 4 | 5 | Federring | Spring washer |
| 112 | 515 805 0 | 4 | 4,5x1,5 | Runddichtring | Round sealing ring |
| 114 | 519 969 0 | 1 | 42x2 | Runddichtring | Round sealing ring |
| 116 | 502 079 0 | 3 | M6x16 | Zyl-Schraube | Cheese head cap screw |
| 117 | 506 335 0 | 3 | 6 | Federring | Spring washer |
| 119 | 43 339 00 42 0 | 1 | | Anweisungsschild | Information sign |
| 122 | 502 051 0 | 1 | M4x8 | Zyl-Schraube | Cheese head cap screw |
| 123 | 506 374 0 | 1 | 4 | Fedderring | Spring washer |
| 130 | 82 169 01 50 0 | 1 | | Buchse | Bushing |
| 131 | 517 011 0 | 1 | D10 | Klemmbügel | Clamping saddle |
| 132 | 502 069 0 | 1 | M5x12 | Zyl-Schraube | Cheese head cap screw |
| 133 | 506 900 0 | 1 | 5 | Federring | Spring washer |
| 135 | 520 906 0 | 2 | 3 S 8 | Schild | Sign |
| 140 | 42 330 30 89 0 | 1 | 2A05 | Klemmleiste | Terminal strip |
| | 42 330 31 89 0 | 1 | 2/8A05 | | |
| 144 | 502 051 0 | 2 | M4x8 | Zyl-Schraube | Cheese head cap screw |
| 146 | 506 374 0 | 2 | 4 | Federring | Spring washer |
| 150 | 519 059 0 | | Pg16 | Kabelverschraubung | Conduit gland |
| | 519 047 0 | | Pg21 | | |
| 151 | 518 860 0 | | 20x2 | Dichtring | Sealing ring |
| | 518 942 0 | | 24x2 | | |
| 155 | 519 134 0 | | Pg16 | Verschlußstopfen | Plug |
| | 519 135 0 | | Pg21 | | |
| | 519 136 0 | | Pg29 | | |
| 170 | 33 320 23 80 0 | 1 | | Typenschild | Type plate |
| 171 | 504 999 0 | 4 | 2x4 | Kerbnagel | Grooved drive stud |

*1 Bitte angeben: Abtriebswelle linksschräg; rechtsschräg; geradzahnt
Auswahl siehe Seite 7.

- 1) Bitte Betriebsspannung und Frequenz angeben.
- 2) Pos. 32+33 immer mitbestellen
- 3) Ausführung linksschräg
- 4) Ausführung rechtsschräg
- 5) Ausführung geradzahnt
- 6) hartverchromt
- x) Stückzahl nach Bedarf

*1 Please state: with output shaft left-handed; right-handed; spur-toothed
Selection see page 7.

- 1) Please state operating voltage and frequency.
- 2) Always included items 32+33 in order
- 3) Left-hand design
- 4) Right-hand design
- 5) Spur-toothed design
- 6) Hard chrome plated
- x) Quantity as required

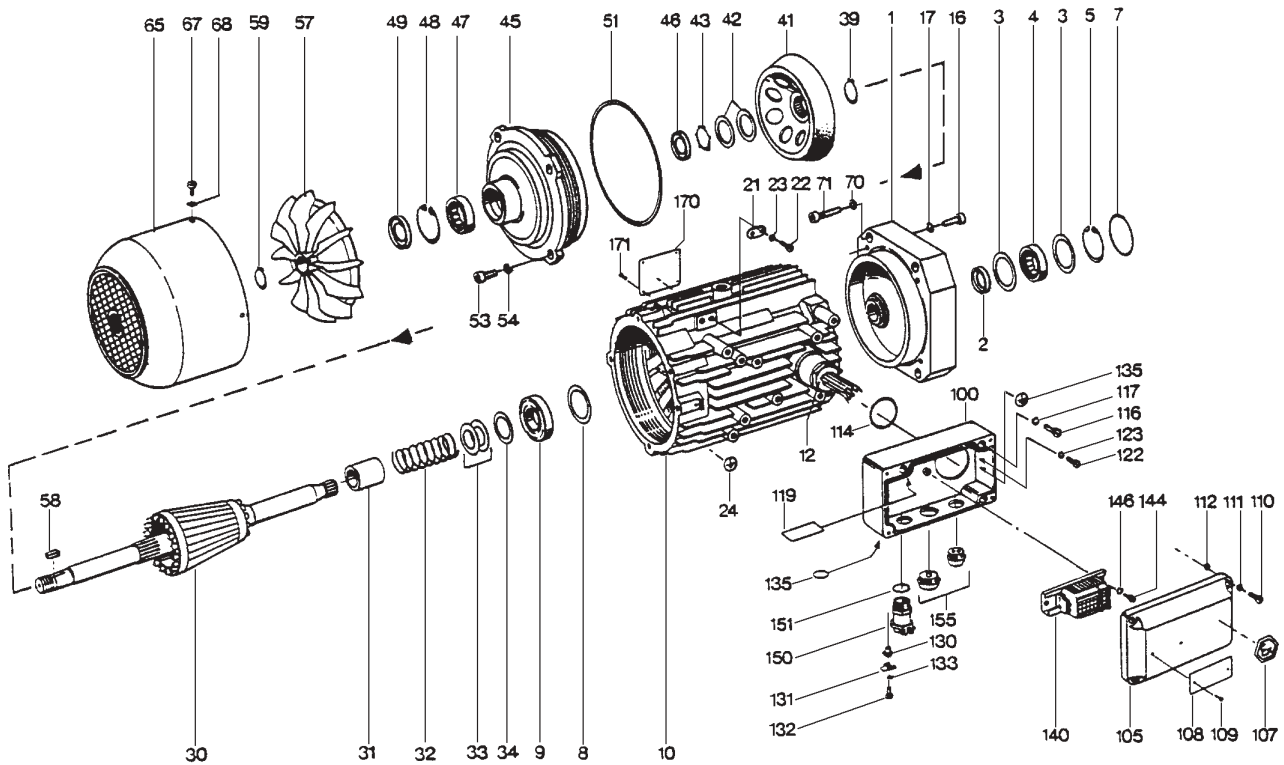


Originalteile
Original parts
T3 ex

Zone 1



A08 ex



F 1188

| Pos | Teil-Nummer Part-Number | Stück Piece | Beschreibung Description | Benennung Designation |
|-----|----------------------------|----------------|------------------------------------|--------------------------|
| | 38 330 34 11 2 | 1 | 2A08 IIB *1 1) (Pos.1-10,16-71) | Motor |
| | 38 330 35 11 2 | 1 | 2A08 IIC *1 1) (Pos.1-10,16-71) | Motor |
| | 38 330 36 11 2 | 1 | 2/12A08 IIB *1 1) (Pos.1-10,16-71) | Motor |
| | 38 330 37 11 2 | 1 | 2/12A08 IIC *1 1) (Pos.1-10,16-71) | Motor |
| 1 | 38 331 21 03 0 | 1 | | Motorflansch |
| 2 | 561 854 0 | 1 | A22x40x8 | Wellendichtring |
| 3 | 506 805 0 | 1 | 28x40x0,5 | Paßscheibe |
| 4 | 560 844 0 | 1 | RNU 203 E | Zyl-Rollenlager |
| 5 | 506 262 0 | 1 | 40x1,75 | Sicherungsring |
| 7 | 515 946 0 | 1 | 55x2 | Runddichtring |
| 8 | 507 837 0 | 1 | 37x47x0,3 | Paßscheibe |
| 9 | 560 951 0 | 1 | 6005-2RS | Rillenkugellager |
| 10 | 38 330 74 12 9 | 1 | 2A08 (Pos.12,100+140) | Stator |
| | 38 330 75 12 9 | 1 | 2/12A08 (Pos.12,100+140) | Stator |
| 12 | 519 073 0 | 1 | 2A08 | Aderleitungsdurchführung |
| | 519 074 0 | 1 | 2/12A08 | Conductor bushing |
| 16 | 500 234 0 | 4 | M8x25 | Zyl-Schraube |
| 17 | 506 459 0 | 4 | 8 | Federring |
| 21 | 65 909 15 98 0 | 2 | | Lasche |
| 22 | 502 078 0 | 2 | M6x12 | Zyl-Schraube |
| 23 | 506 335 0 | 2 | 6 | Federring |
| 24 | 520 906 0 | 1 | 3 S 8 | Schild |
| 30 | 38 330 20 13 0 | 1 | | Rotor |
| | 38 330 23 13 0 | 1 | | Rotor |
| | 38 330 21 13 0 | 1 | | Rotor |



| Pos | Teil-Nummer Part-Number | Stück Piece | Beschreibung Description | Benennung Designation | Designation |
|-----|----------------------------|----------------|-----------------------------|--------------------------|--------------------------|
| 31 | 38 331 20 51 0 | 1 | | Abstandsring | Spacer ring |
| 32 | 38 331 00 94 0 | 1 | | Druckfeder | Pressure spring |
| 33 | 562 935 0 | 2 | DIN 2093 | Tellerfeder | Belleville spring washer |
| 34 | 507 804 0 | 1 | A22 | Sprengtring | Snap ring |
| 39 | 506 096 0 | 1 | 22x1,2 | Sicherungsring | Locking ring |
| 41 | 38 330 00 18 0 | 1 | | Bremsscheibe | Brake disc |
| 42 | 562 934 0 | 2 | DIN 2093 | Tellerfeder | Belleville spring washer |
| 43 | 506 096 0 | 1 | 22x1,2 | Sicherungsring | Locking ring |
| 45 | 38 330 03 37 0 | 1 | (Pos.46-51) | Motordeckel | Motor cover |
| | 38 330 02 37 0 | 1 | 6) (Pos.46-51) | | |
| 46 | 561 060 0 | 1 | A19x35x7 | Wellendichtring | Shaft seal |
| 47 | 560 843 0 | 1 | RNU 202 E | Zyl-Rollenlager | Roller bearing |
| 48 | 506 261 0 | 1 | 35x1,5 | Sicherungsring | Locking ring |
| 49 | 561 060 0 | 1 | A19x35x7 | Wellendichtring | Shaft seal |
| 51 | 515 928 0 | 1 | 135x3 | Runddichtring | Round sealing ring |
| 53 | 500 230 0 | 4 | M6x12 | Zyl-Schraube | Socket head cap screw |
| 54 | 506 335 0 | 4 | 6 | Federring | Spring washer |
| 57 | 32 251 00 15 0 | 1 | | Lüfterrad | Fan wheel |
| 58 | 537 936 0 | 1 | 5x6,5 | Scheibenfeder | Woodruf key |
| 59 | 506 890 0 | 1 | 14x1 | Sicherungsring | Locking ring |
| 65 | 38 331 20 40 0 | 1 | | Lüfterhaube | Fan cowling |
| 67 | 500 419 0 | 4 | M5x8 | Skt-Schraube | Hexagon head cap screw |
| 68 | 506 900 0 | 4 | 5 | Federring | Spring washer |
| 70 | 506 335 0 | 4 | 6 | Federring | Spring washer |
| 71 | 500 231 0 | 4 | M6x20 | Zyl-Schraube | Socket head cap screw |
| 100 | 02 220 20 02 0 | 1 | (Pos.105,114,-135) | Anschlußkasten | Terminal box |
| 105 | 02 220 20 21 0 | 1 | (Pos.107-112) | Anschlußkastendeckel | Terminal box cover |
| 107 | 25 339 25 42 0 | 1 | EEX | Schild | Sign |
| 108 | 43 339 20 42 0 | 1 | | Anweisungsschild | Information sign |
| 109 | 504 999 0 | 4 | 2x4 | Kerbnagel | Grooved drive stud |
| 110 | 502 072 0 | 4 | M5x20 | Zyl-Schraube | Cheese head cap screw |
| 111 | 506 900 0 | 4 | 5 | Federring | Spring washer |
| 112 | 515 805 0 | 4 | 4,5x1,5 | Runddichtring | Round sealing ring |
| 114 | 519 969 0 | 1 | 42x2 | Runddichtring | Round sealing ring |
| 116 | 502 079 0 | 3 | M6x16 | Zyl-Schraube | Cheese head cap screw |
| 117 | 506 335 0 | 3 | 6 | Federring | Spring washer |
| 119 | 43 339 00 42 0 | 1 | | Anweisungsschild | Information sign |
| 122 | 502 051 0 | 1 | M4x8 | Zyl-Schraube | Cheese head cap screw |
| 123 | 506 374 0 | 1 | 4 | Fedderring | Spring washer |
| 130 | 82 169 01 50 0 | 1 | | Buchse | Bushing |
| 131 | 517 011 0 | 1 | D10 | Klemmbügel | Clamping saddle |
| 132 | 502 069 0 | 1 | M5x12 | Zyl-Schraube | Cheese head cap screw |
| 133 | 506 900 0 | 1 | 5 | Federring | Spring washer |
| 135 | 520 906 0 | 2 | 3 S 8 | Schild | Sign |
| 140 | 42 330 30 89 0 | 1 | 2A08 | (Pos.144+146) | Klemmleiste |
| | 42 330 31 89 0 | 1 | 2/12A08 | (Pos.144+146) | |
| 144 | 502 051 0 | 2 | M4x8 | Zyl-Schraube | Cheese head cap screw |
| 146 | 506 374 0 | 2 | 4 | Federring | Spring washer |
| 150 | 519 059 0 | | Pg16 | x) Kabelverschraubung | Conduit gland |
| | 519 047 0 | | Pg21 | x) | |
| 151 | 518 860 0 | | 20x2 | x) Dichtring | Sealing ring |
| | 518 942 0 | | 24x2 | x) | |
| 155 | 519 134 0 | | Pg16 | x) Verschlußstopfen | Plug |
| | 519 135 0 | | Pg21 | x) | |
| | 519 136 0 | | Pg29 | x) | |
| 170 | 33 320 23 80 0 | 1 | (Pos.171) | Typenschild | Type plate |
| 171 | 504 999 0 | 4 | 2x4 | Kerbnagel | Grooved drive stud |

*1 Bitte angeben: Abtriebswelle linksschräg; rechtsschräg; geradzahnt
Auswahl siehe Seite 7.

- 1) Bitte Betriebsspannung und Frequenz angeben.
- 2) Pos.31-33 immer mitbestellen
- 3) Ausführung linksschräg
- 4) Ausführung rechtsschräg
- 5) Ausführung geradzahnt
- 6) hartverchromt
- x) Stückzahl nach Bedarf

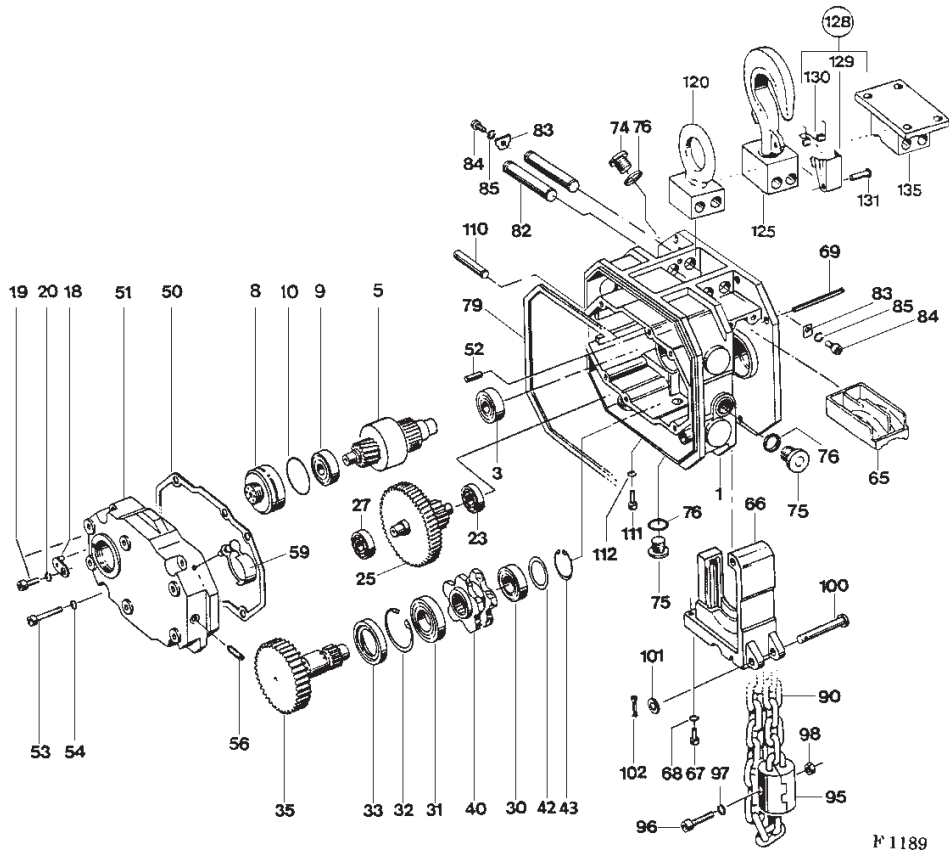
*1 Please state: with output shaft left-handed; right-handed; spur-toothed
Selection see page 7.

- 1) Please state operating voltage and frequency.
- 2) Always included items 31-33 in order
- 3) Left-hand design
- 4) Right-hand design
- 5) Spur-toothed design
- 6) Hard chrome plated
- x) Quantity as required



Originalteile
Original parts
T3 ex

Zone 1



F 1189

| Pos | Teil-Nummer Part-Number | Stück Piece | Beschreibung Description | Benennung Designation | |
|-----|----------------------------|----------------|-----------------------------|---------------------------|-----------------------|
| | 33 320 23 30 0 | 1 | A05 ex-50 Hz T301 - 16 | *1 (Pos.1-79) Getriebe | Gear |
| | 33 320 20 30 0 | 1 | T302 - 8 | *1 (Pos.1-79) | |
| | 33 320 23 30 0 | 1 | A05 ex-60 Hz T301 - 20 | *1 (Pos.1-79) | |
| | 33 320 20 30 0 | 1 | T302 - 10 | *1 (Pos.1-79) | |
| | 33 320 21 30 0 | 1 | A08 ex-50 Hz T302 - 14 | *1 (Pos.1-79) | |
| | 33 320 21 30 0 | 1 | A08 ex-60 Hz T302 - 18 | *1 (Pos.1-79) | |
| 1 | 33 323 01 01 0 | 1 | | Getriebegehäuse | Gear box |
| 3 | 560 847 0 | 1 | 7301 B | Schrägkugellager | Angular ball bearing |
| 5 | | 1 | | Rutschkupplung | Sliding clutch |
| 8 | 33 323 00 50 0 | 1 | | Verstellbuchse | Adjusting bush |
| 9 | 560 847 0 | 1 | 7301 B | Schrägkugellager | Angular ball bearing |
| 10 | 515 969 0 | 1 | 42x2 | Runddichtring | Round sealing ring |
| 18 | 33 323 00 89 0 | 1 | | Sicherungsblech | Locking plate |
| 19 | 500 230 0 | 1 | M6x12 | Zyl-Schraube | Socket head cap screw |
| 20 | 506 235 0 | 1 | 6 | Federring | Spring washer |
| 23 | 560 094 0 | 1 | 6201 | Rillenkugellager | Grooved ball bearing |
| 25 | 33 323 14 11 0 | 1 | Z=51 | Zahnrad | Gear wheel |
| | 33 323 07 11 0 | 1 | Z=60 | | |
| | 33 323 09 11 0 | 1 | Z=57 | | |
| 27 | 560 094 0 | 1 | 6201 | Rillenkugellager | Grooved ball bearing |
| 30 | 560 848 0 | 1 | 6203-2RS | Rillenkugellager | Grooved ball bearing |
| 31 | 560 951 0 | 1 | 6005-2RS | Rillenkugellager | Grooved ball bearing |
| 32 | 506 106 0 | 1 | 47x1,75 | Sicherungsring | Locking ring |
| 33 | 561 855 0 | 1 | 30x47x10 | Wellendichtring | Shaft seal |
| 35 | 33 323 20 11 0 | 1 | Z=38 | Ritzelwelle | Pinion |



| Pos | Teil-Nummer Part-Number | Stück Piece | Beschreibung Description | Benennung Designation | |
|-----|----------------------------|----------------|-----------------------------|--------------------------|----------------------------|
| 40 | 33 324 00 16 0 | | | Kettenuß | Sprocket wheel |
| 42 | 507 000 0 | 1 | S17x24x1,5 | Stützscheibe | Supporting ring |
| 43 | 506 386 0 | 1 | 17x1 | Sicherungsring | Locking ring |
| 50 | 33 323 00 95 0 | 1 | | Dichtung | Seal |
| 51 | 33 323 05 02 0 | 1 | | Getriebedeckel | Gear cap |
| 52 | 504 120 0 | 1 | 6m16x18 | Zyl-Stift | Dowel pin |
| 53 | 500 969 0 | 2 | M6x35 | Zyl-Schraube | Socket head cap screw |
| 54 | 506 335 0 | 6 | 6 | Federring | Spring washer |
| 56 | 503 966 0 | 6 | M5x16 | Gewindestift | Threaded pin |
| 59 | 33 323 00 97 0 | 2 | | Entlüftungsstopfen | Drain plug |
| 65 | 33 324 00 32 0 | 1 | | Einlegeteil | Insert part |
| 66 | 33 324 00 30 0 | 1 | | Kettenführung | Chain guide |
| 67 | 500 836 0 | 1 | M6x16 | Zyl-Schraube | Socket head cap screw |
| 68 | 506 335 0 | 2 | 6 | Federring | Spring washer |
| 69 | 504 247 0 | 2 | 8x70 | Spannstift | Dowel sleeve |
| 74 | 32 250 00 57 0 | 1 | | Verschlußschraube | Screw plug |
| 75 | 503 954 0 | 1 | M16x1,5 | Verschlußschraube | Screw plug |
| 76 | 515 004 0 | 2 | C16x20 | Dichtring | Sealing ring |
| 79 | 33 329 01 95 0 | 3 | | Dichtung | Seal |
| 82 | 33 322 03 92 0 | 1 | | Aufhängebolzen | Suspension bolt |
| 83 | 33 322 01 89 0 | 2 | | Sicherungsblech | Locking plate |
| 84 | 500 233 0 | 2 | M6x16 | Zyl-Schraube | Socket head cap screw |
| 85 | 506 411 0 | 2 | A6,4 | Zahnscheibe | External teeth lock washer |
| | | 2 | | | |
| 90 | 331 000 9 | | 2) HE-G80 RAS | Kette | Chain |
| 95 | 33 320 02 27 0 | | (Pos.96-98) | Kettenanschlaguß | Chain stop |
| 96 | 500 232 0 | 1 | M6x25 | Zyl-Schraube | Socket head cap screw |
| 97 | 506 335 0 | 2 | 6 | Federring | Spring washer |
| 98 | 506 281 0 | 2 | M6 | Skt-Mutter | Hexagonal nut |
| 100 | 33 322 01 92 0 | 2 | | Bolzen | Bolt |
| 101 | 506 021 0 | 1 | B8,4 | Scheibe | Disc |
| 102 | 504 042 0 | 1 | 2x16 | Splint | Cotter pin |
| 110 | 33 324 00 92 0 | 1 | | Bolzen | Bolt |
| 111 | 500 310 0 | 1 | M6x10 | Zyl-Schraube | Socket head cap screw |
| 112 | 506 335 0 | 1 | 6 | Federring | Spring washer |
| | | 1 | | | |
| 120 | 33 322 00 58 0 | | | Aufhängung | Suspension |
| 125 | 33 320 09 28 0 | 1 | (Pos.128) | Aufhängehaken | Suspension hook |
| 128 | 32 320 00 57 0 | 1 | (Pos.129-131) | Lasthakensicherung | Safety catch |
| 129 | 32 322 00 89 0 | 1 | | Sicherungsklappe | Safety loop |
| 130 | 562 932 0 | 1 | | Dehfeder | Torsion spring |
| 131 | 02 325 00 92 0 | 1 | | Nietstift | Rivet pin |
| 135 | 32 240 00 27 0 | 1 | | Aufhängung | Suspension |
| | | 1 | | | |
| | 32 250 06 65 0 | | 3) 1000 ml | Getriebeöl | Gear oil |

*1 Bitte angeben:Vorgelegerad linksschräg;rechtsschräg;geradverzahnt

1) Einzelteile siehe Seite 8

2) Bitte Länge angeben

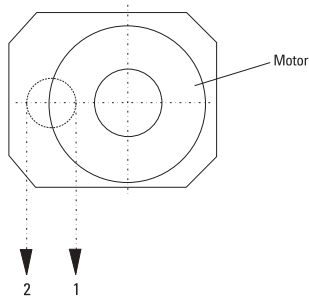
3) Getriebeöl:erforderliche Menge siehe Betriebsanleitung

*1 Please state:layshaft gear left-handed;right-handed;spur-toothed

1) Piece parts see page 8

2) Please state length

3) Quantity of gear oil necessary:see operating instructions



- I) Rotor
- II) Vorgelegerad
- 1) linksschräg
- 2) rechtsschräg
- 3) geradverzahnt

- I) Rotor
- II) Layshaft gear
- 1) Left-hand
- 2) Right-hand
- 3) Spur-toothed

Kettenabgang
Chain departure

Bauteile
Components

Verzahnung
Gearing

1 - standard

I)

1)

II)

2)

2

I)

2)

II)

1)

1+2

I)

3)

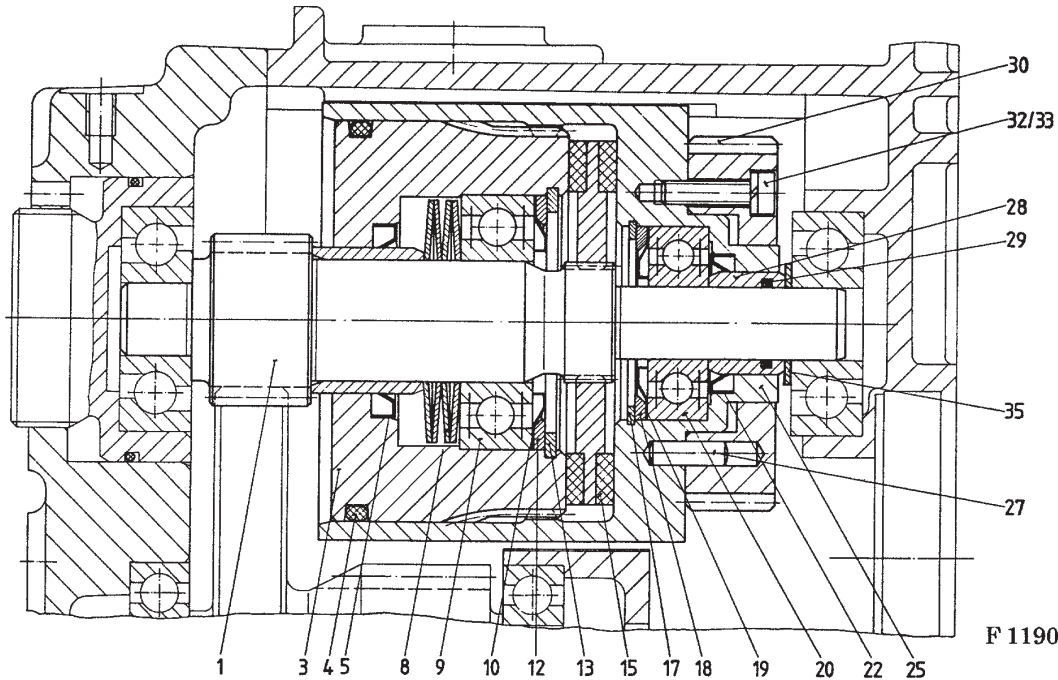
II)

3)



Originalteile
Original parts
T3 ex

Zone 1



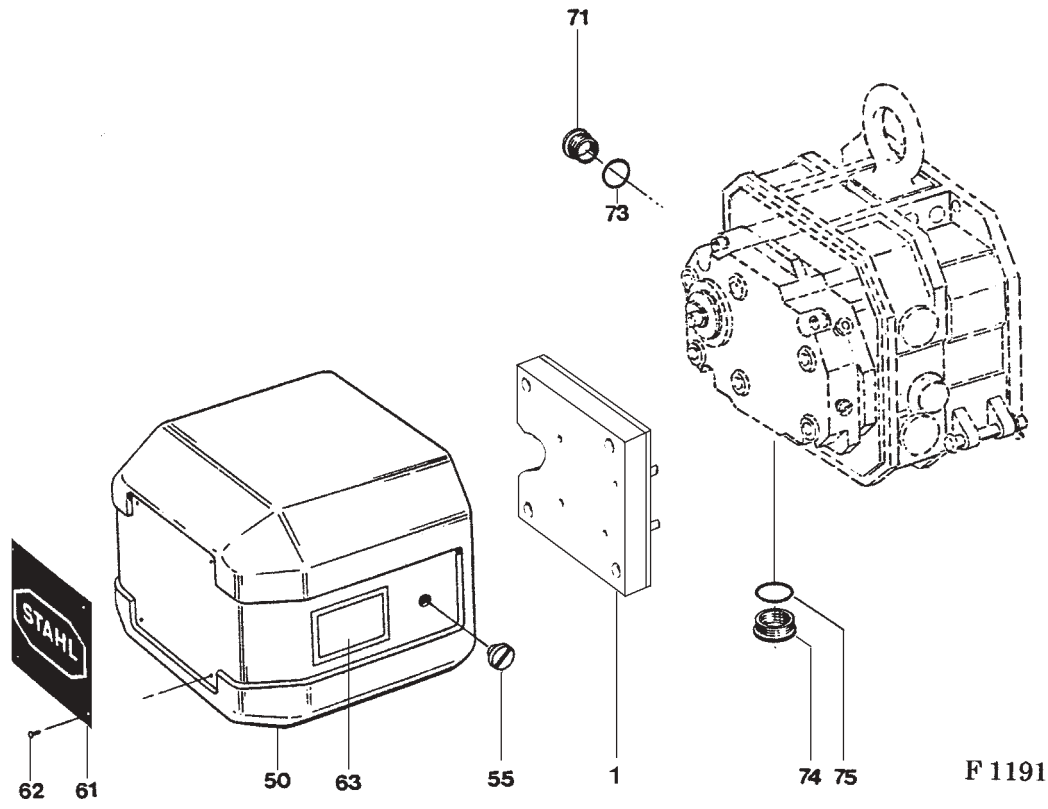
| Pos | Teil-Nummer Part-Number | Stück Piece | Beschreibung Description | | | Benennung | Designation | | |
|-----|----------------------------|----------------|-----------------------------|----|--------------|------------------|--------------------------|--------------|-----------------------|
| | 33 320 23 33 0 | 1 | RU-T33 5 22 ex | *1 | T301 A05 ex | Rutschkupplung | Slipping clutch | | |
| | 33 320 20 33 0 | 1 | RU-T33 5 13 ex | *1 | T302 A05 ex | | | | |
| | 33 320 21 33 0 | 1 | RU-T33 8 16 ex | *1 | T302 A08 ex | | | | |
| 1 | 33 323 23 15 0 | 1 | RU-T33 5 22 ex | *1 | Z=22 | Ritzelwelle | Pinion shaft | | |
| | 33 320 20 36 0 | 1 | RU-T33 5 13 ex | *1 | Z=13 | | | | |
| | 33 320 21 36 0 | 1 | RU-T33 8 16 ex | *1 | Z=16 | | | | |
| 3 | 33 323 20 35 0 | 1 | | | | Druckring | Thrust collar | | |
| 4 | 515 994 0 | 1 | 59x3 | | NB 70 | Runddichtring | Round sealing ring | | |
| 5 | 561 896 0 | 1 | 24x32x4 | | | Wellendichtring | Shaft seal | | |
| 8 | 562 908 0 | 4 | | | | Tellerfeder | Belleville spring washer | | |
| 9 | 560 950 0 | 1 | 6004-RS | | DIN 625 | Rillenkugellager | Grooved ball bearing | | |
| 10 | 561 897 0 | 1 | 6004 ZJV | | | Nilosring | Nilos-ring | | |
| 12 | 33 323 20 51 0 | 1 | | | | Distanzring | Spacer ring | | |
| 13 | 506 105 0 | 1 | 42x1,75 | | DIN 472 | Sicherungsring | Locking ring | | |
| 15 | 33 320 20 32 0 | 1 | | | | Kupplungsscheibe | Clutch disc | | |
| 17 | 506 256 0 | 1 | 32x1,2 | | DIN 472 | Sicherungsring | Locking ring | | |
| 18 | 33 323 21 51 0 | 1 | | | | Distanzring | Spacer ring | | |
| 19 | 561 898 0 | 1 | 6201 ZJV | | | Nilosring | Nilos-ring | | |
| 20 | 560 897 0 | 1 | 6201-2RS | | DIN 625 | Rillenkugellager | Grooved ball bearing | | |
| 22 | 561 895 0 | 1 | 17x23x4 | | | Wellendichtring | Shaft seal | | |
| 25 | 33 323 20 33 0 | 1 | | | | Kupplungsgehäuse | Clutch housing | | |
| 27 | 504 800 0 | 4 | 4x12 | | DIN 1481 | Spannstift | Dowel pin | | |
| 28 | 33 323 21 52 0 | 1 | | | | Buchse | Bushing | | |
| 29 | 515 991 0 | 1 | 12,42x1,78 | | NB 70 | Runddichtring | Round sealing ring | | |
| 30 | 33 323 20 16 0 | 1 | RU-T33 5 22 ex | 1) | Z=62 | Zahnrad | Gear wheel | | |
| | 33 323 20 16 0 | 1 | RU-T33 5 13 ex | 1) | Z=62 | | | | |
| | 33 323 21 16 0 | 1 | RU-T33 8 16 ex | 1) | Z=47 | | | | |
| | 33 323 23 16 0 | 1 | RU-T33 5 22 ex | 2) | Z=62 | | | | |
| | 33 323 23 16 0 | 1 | RU-T33 5 13 ex | 2) | Z=62 | | | | |
| | 33 323 25 16 0 | 1 | RU-T33 8 16 ex | 2) | Z=47 | | | | |
| | 33 323 24 16 0 | 1 | RU-T33 5 22 ex | 3) | Z=62 | | | | |
| | 33 323 24 16 0 | 1 | RU-T33 5 13 ex | 3) | Z=62 | | | | |
| | 33 323 26 16 0 | 1 | RU-T33 8 16 ex | 3) | Z=47 | | | | |
| 32 | 501 017 0 | 2 | M4x16 | | DIN 6912-8.8 | | | Zyl-Schraube | Socket head cap screw |
| 33 | 506 374 0 | 2 | 4 | | DIN 7980 | | | Federring | Spring washer |
| 35 | 33 323 22 52 0 | 1 | | | | | | Scheibe | Disc |

*1 Bitte angeben: Vorgelegrad linksschräg; rechtsschräg; geradverzahnt
Auswahl siehe Seite 7.

- 1) Ausführung rechtsschräg
- 2) Ausführung linksschräg
- 3) Ausführung geradverzahnt

*1 Please state: layshaft gear left-handed; right-handed; spur-toothed
Selection see page 7.

- 1) Right-hand design
- 2) Left-hand design
- 3) Spur-toothed design

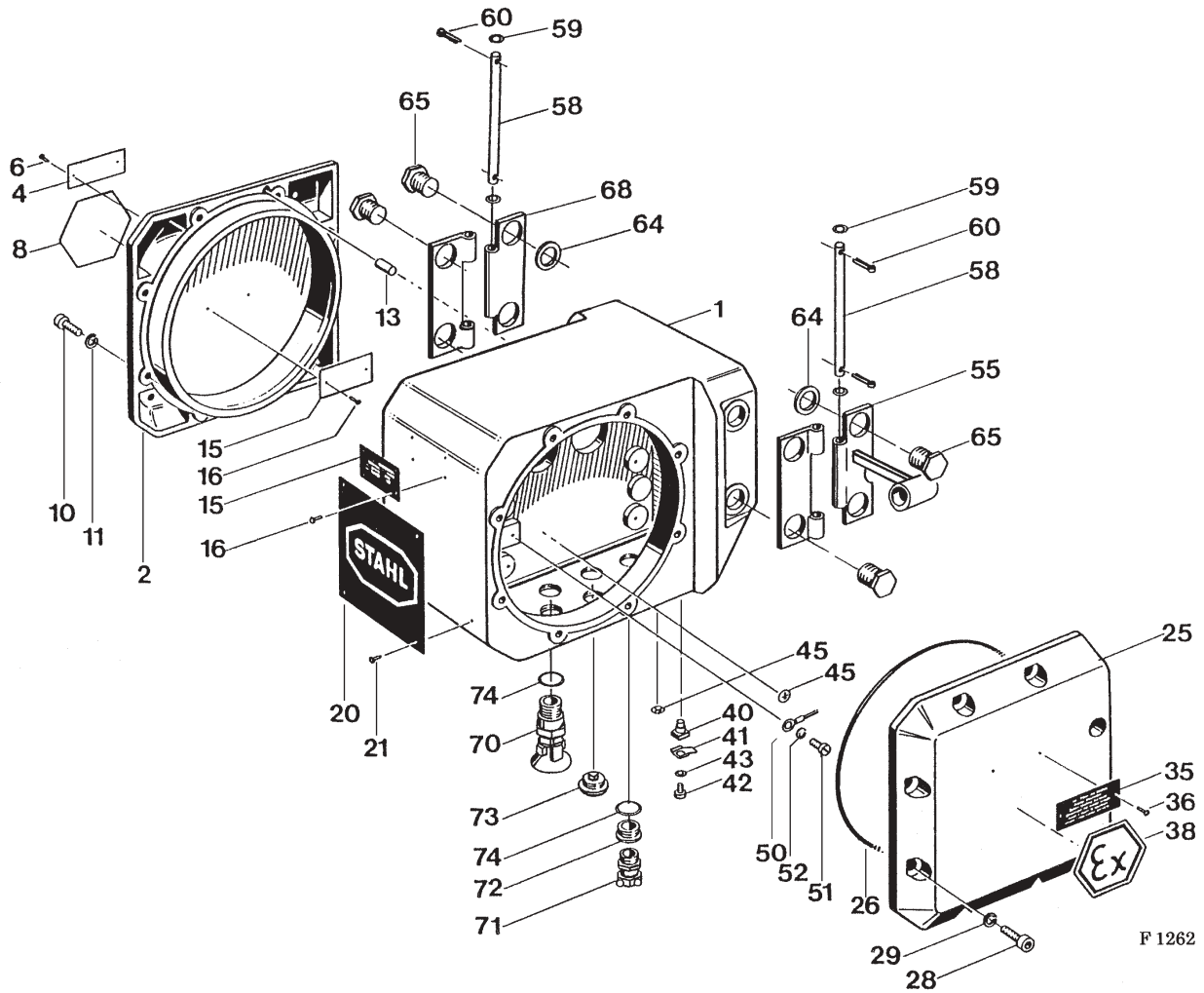


| Pos | Teil-Nummer Part-Number | Stück Piece | Beschreibung Description | Benennung | Designation |
|-----|----------------------------|----------------|-----------------------------|------------------|--------------------|
| 1 | 33 320 65 23 0 | 1 | | Gegengewicht | Counter weight |
| 50 | 33 320 07 95 0 | 1 | (Pos.55-63) | Abschlußhaube | End hood |
| 55 | 33 329 00 91 0 | 2 | | Konumutter | Cone nut |
| 61 | 03 335 00 43 0 | 1 | | Firmenschild | Name plate |
| 62 | 507 831 0 | 4 | | Blindniet | Blind rivet |
| 63 | 02 323 02 45 0 | 1 | | Hinweisschild | Information sign |
| 71 | 518 018 0 | 4 | Pg16 | Verschlußstopfen | Screw plug |
| 73 | 518 860 0 | 4 | 20x2 | Runddichtring | Round sealing ring |
| 74 | 518 003 0 | 1 | Pg21 | Verschlußstopfen | Screw plug |
| 75 | 518 942 0 | 1 | 24x2 | Runddichtring | Round sealing ring |



Originalteile
Original parts
T3 ex

Zone 1



| Pos | Teil-Nummer Part-Number | Stück Piece | Beschreibung Description | Benennung | Designation |
|-----|----------------------------|----------------|-----------------------------|---------------|-----------------------|
| 1 | 33 320 20 95 0 | 1 | K.-T3-ex IIB (Pos.1-68) | Gerätekasten | Contacteur housing |
| | 33 320 21 95 0 | 1 | K.-T3-ex IIC (Pos.1-68) | | |
| 2 | 33 329 20 21 0 | 1 | d | Kastendeckel | Box cover |
| 4 | 43 339 20 42 0 | 1 | | Hinweisschild | Information sign |
| 6 | 504 999 0 | 2 | 2x4 DIN 1476 | Kerbnagel | Drive stud |
| 8 | 25 339 25 42 0 | 1 | EEx | Schild | Sign |
| 10 | 500 234 0 | 8 | M8x25 DIN 912-8.8 | Zyl-Schraube | Socket head cap screw |
| 11 | 506 459 0 | 8 | DIN 7980 | Federring | Spring washer |
| 13 | 504 222 0 | 1 | 6x14 DIN 1473 | Kerbstift | Dowel pin |



Zone 1

Originalteile
Original parts
T3 ex



| Pos | Teil-Nummer Part-Number | Stück Piece | Beschreibung Description | Benennung | Designation |
|-----|----------------------------|----------------|--------------------------------|--------------------|-----------------------|
| 15 | 33 320 20 80 0 | 1 | (Pos.16) | Typenschild | Type plate |
| 16 | 504 999 0 | 2 | 2x4 DIN 1476 | Kerbnagel | Drive stud |
| 20 | 42 339 00 43 0 | 1 | | Firmenschild | Name plate |
| 21 | 507 831 0 | 4 | 3x5 | Blindniet | Blind rivet |
| 25 | 33 329 20 22 0 | 1 | | Kastendeckel | Box cover |
| 26 | 515 957 0 | 1 | 230x2 | Runddichtring | Round sealing ring |
| 28 | 500 234 0 | 8 | M8x25 DIN 912-8.8 | Zyl-Schraube | Socket head cap screw |
| 29 | 506 459 0 | 8 | 8 DIN 7980 | Federring | Spring washer |
| 35 | 43 339 20 42 0 | 1 | | Hinweisschild | Information sign |
| 36 | 504 999 0 | 2 | 2x4 DIN 1476 | Kerbnagel | Drive stud |
| 38 | 25 339 25 42 0 | 1 | EEx | Schild | Sign |
| 40 | 82 169 01 50 0 | 1 | | Buchse | Bushing |
| 41 | 517 011 0 | 1 | D10 | Klemmbügel | Clamping saddle |
| 42 | 502 069 0 | 1 | M5x12 DIN 84 | Zyl-Schraube | Cheese head cap screw |
| 43 | 506 900 0 | 1 | 5 DIN 7980 | Federring | Spring washer |
| 45 | 520 906 0 | 2 | 3 S 8 | Schiebebild | Sign |
| 50 | 517 888 0 | 1 | 4 | Kabelschuh | Cable lug |
| 51 | 502 051 0 | 1 | M4x8 | Zyl-Schraube | Cheese head cap screw |
| 52 | 506 374 0 | 1 | 4 DIN 7980 | Federring | Spring washer |
| 55 | 33 320 50 42 0 | 1 | (Pos.58-65) | Scharnier | Hinge |
| 58 | 33 329 20 92 0 | 2 | | Achse | Axle |
| 59 | 506 021 0 | 4 | B8,4 DIN 125 | Scheibe | Disc |
| 60 | 504 113 0 | 4 | 3,2x16 DIN 94 | Splint | Cotter pin |
| 64 | 33 329 20 51 0 | 4 | | Abstandsring | Spacer ring |
| 65 | 33 329 20 90 0 | 8 | | Schraube | Screw |
| 68 | 33 320 51 42 0 | 1 | (Pos.58-65) | Scharnier | Hinge |
| 70 | 25 330 27 94 0 | | Pg16 D10-12mm x) (Pos.74) | Einführungsstutzen | Bell mouthed gland |
| | 25 330 20 94 0 | | Pg16 D12,5-14mm x) (Pos.74) | | |
| | 25 330 26 94 0 | | Pg21 D12,5-14mm x) (Pos.74) | | |
| | 25 330 23 94 0 | | Pg21 D15-16mm x) (Pos.74) | | |
| | 25 330 21 94 0 | | Pg21 D18-19mm x) (Pos.74) | | |
| | 25 330 24 94 0 | | Pg29 D20-21,5mm x) (Pos.74) | | |
| 71 | 519 080 0 | | Pg13,5 x) | Kabelverschraubung | Conduiz gland |
| | 519 059 0 | | Pg16 x) | | |
| | 519 047 0 | | Pg21 x) | | |
| | 519 075 0 | | Pg29 x) | | |
| 73 | 519 036 0 | | Pg21/16 x) | Reduziererring | Reduction ring |
| | 519 037 0 | | Pg29/21 x) | | |
| 74 | 519 133 0 | | Pg13,5 x) | Schraubverschluß | Screw plug |
| | 519 134 0 | | Pg16 x) | | |
| | 519 135 0 | | Pg21 x) | | |
| | 519 136 0 | | Pg29 x) | | |
| 75 | 515 956 0 | | 17,5x2,4 x) | Dichtring | Sealing ring |
| | 518 860 0 | | 20x2 x) | | |
| | 518 942 0 | | 24x2 x) | | |
| | 518 943 0 | | 33x2 x) | | |

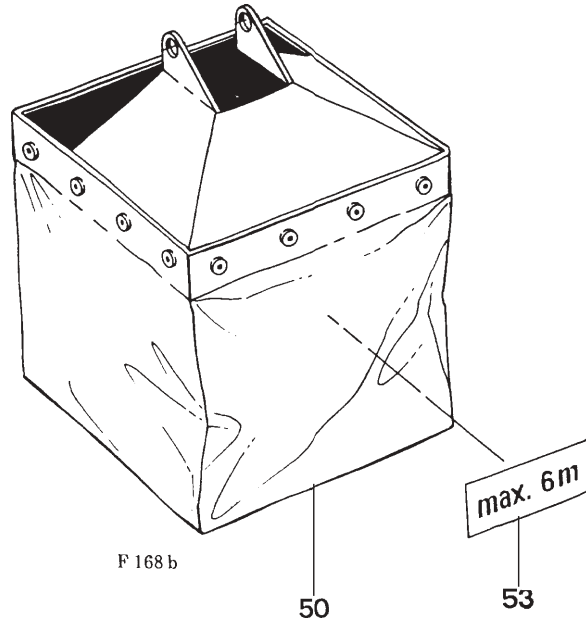
1) Pos.26 immer mitbestellen
x) Stückzahl nach Bedarf

1) Always include Item 26 in order
x) Quantity as required



Originalteile
Original parts
T3 ex

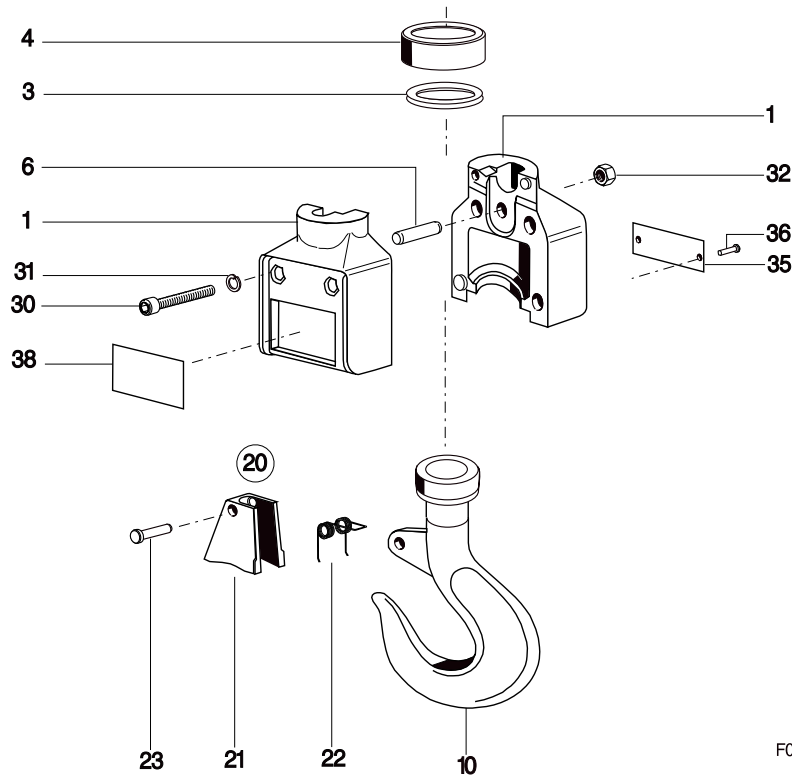
Zone 1



| Pos | Teil-Nummer Part-Number | Stück Piece | Beschreibung Description | Benennung | Designation |
|-----|----------------------------|----------------|-----------------------------|----------------|------------------|
| 50 | 33 322 06 32 0 | 1 | 1) 12m | Kettenspeicher | Chain box |
| | 33 320 26 26 0 | 1 | 2) 22m | | |
| | 33 320 27 26 0 | 1 | 2) 32m | | |
| | 33 320 28 26 0 | 1 | 3) 12m | | |
| | 33 320 29 26 0 | 1 | 3) 22m | | |
| | 33 320 30 26 0 | 1 | 3) 32m | | |
| | 33 320 31 26 0 | 1 | 3) 60m | | |
| 53 | 33 322 12 42 0 | 1 | 12m | Hinweisschild | Information sign |
| | 33 322 13 42 0 | 1 | 22m | | |
| | 33 322 14 42 0 | 1 | 32m | | |
| | 33 322 15 42 0 | 1 | 60m | | |

1) Kunststoff
2) Textil
3) Stahlblech

1) Plastic
2) Textile
3) Sheet steel



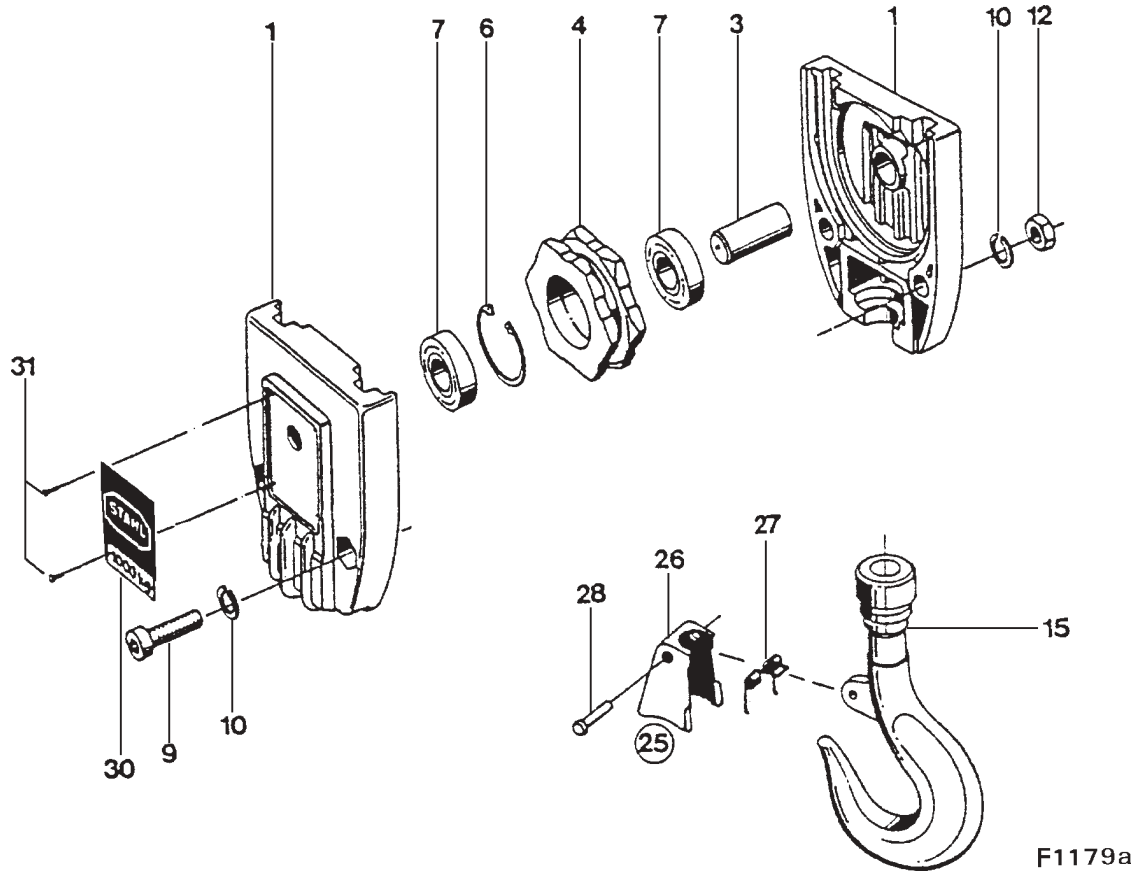
F0029

| Pos | Teil-Nummer Part-Number | Stück Piece | Beschreibung Description | Benennung | Designation |
|-----|----------------------------|----------------|-----------------------------|---------------------|------------------------|
| | 33 320 00 59 0 | 1 | (Pos.1-10,30-38) | Hakengeschirr | Bottom hook block |
| 1 | 33 325 00 13 0 | 2 | | Tragschale | Side cheek |
| 3 | 33 325 00 22 0 | 1 | | Gummiring | Rubber |
| 4 | 33 325 00 21 0 | 1 | | Pufferanschlag | Buffer stop |
| 6 | 33 322 07 92 0 | 1 | | Bolzen | Bolt |
| 10 | 33 320 01 52 0 | 1 | RSN 012 (Pos.20) | Lasthaken | Load hook |
| 20 | 02 320 51 56 0 | 1 | (Pos.21-23) | Lasthakensicherung | Safety catch |
| 21 | 521 903 0 | 1 | | Sicherungsbügel | Safety loop |
| 22 | 562 931 0 | 1 | | Doppelschenkelfeder | Double-leg type spring |
| 23 | 00 325 01 16 0 | 1 | | Nietstift | Rivet pin |
| 30 | 500 969 0 | 2 | M6x35 | Zyl-Schraube | Socket head cap screw |
| 31 | 506 335 0 | 2 | A6 | Federring | Spring washer |
| 32 | 506 281 0 | 2 | M6 | Skt-Mutter | Hexagonal nut |
| 35 | 02 325 00 45 0 | 1 | 125 kg | Traglastschild | S.W.L. sign |
| | 02 325 02 45 0 | 1 | 250 kg | | |
| 36 | 507 831 0 | 2 | 3x5 | Blindniet | Blind rivet |
| 38 | 03 335 07 43 0 | 1 | | Firmenschild | Name plate |



Originalteile
Original parts
T3 ex

Zone 1



F1179a

| Pos | Teil-Nummer Part-Number | Stück Piece | Beschreibung Description | Benennung | Designation |
|-----|----------------------------|----------------|-----------------------------|--------------------|-----------------------|
| | 33 320 00 50 0 | 1 | (Pos.1-4,8-15,30,31) | Hakenflasche | Bottom hook block |
| 1 | 33 325 00 01 0 | 2 | | Tragschild | Side cheek |
| 3 | 33 325 00 14 0 | 1 | | Bolzen | Bolt |
| 4 | 33 320 00 53 0 | 1 | (Pos.6+7) | Kettenrolle | Chain pulley |
| 6 | 506 261 0 | 1 | 35x1,5 DIN 472 | Sicherungsring | Locking ring |
| 7 | 560 101 0 | 2 | 6003-2Z DIN 625 | Rillenkugellager | Grooved ball bearing |
| 9 | 500 182 0 | 2 | M8x30 DIN 6912-8.8 | Zyl-Schraube | Socket head cap screw |
| 10 | 506 459 0 | 2 | 8 DIN 127 | Federring | Spring washer |
| 12 | 506 282 0 | 2 | M8 DIN 934 | Skt-Mutter | Hexagonal nut |
| 15 | 33 320 00 52 0 | 1 | RSN 025 (Pos.25) | Lasthaken | Load hook |
| 25 | 02 320 50 56 0 | 1 | (Pos.26-28) | Lasthakensicherung | Safety catch |
| 26 | 521 904 0 | 1 | | Sicherungsklappe | Safety loop |
| 27 | 562 932 0 | 1 | | Drehfeder | Torsion spring |
| 28 | 02 325 00 92 0 | 1 | | Nietstift | Rivet pin |
| 30 | 33 325 11 45 0 | 2 | 500 kg | Traglastschild | S.W.L.-sign |
| 31 | 507 831 0 | 8 | 3x5 | Blindniet | Blind rivet |



Zone 1

Originalteile
Original parts
T3 ex



Standardsteuergerät / Standard Control switch

| Ty Type | Teil-Nummer Part-Number |
|------------------------|----------------------------|
| SWH 412-003 ex | 04 390 33 79 0 |
| SWH 422-029 ex | 04 390 48 79 0 |
| SwH 422-006 ex | 04 390 42 79 0 |
| SWH 432-033 ex | 04 390 62 79 0 |
| SWH 422-029/420-030 ex | 04 390 82 79 0 |

Sondersteuergeräte:Bitte Typ angeben.

Special control pendants:Please state type when ordering.