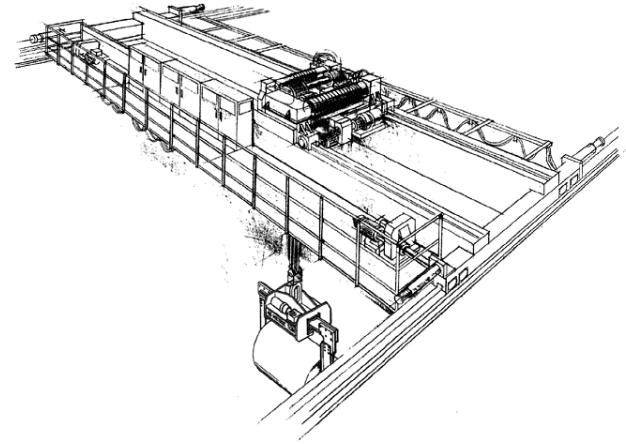


PC Type Collector Mounting Configuration



Universal Collector Extension Bracket

200 AMP Collectors Installation Instructions

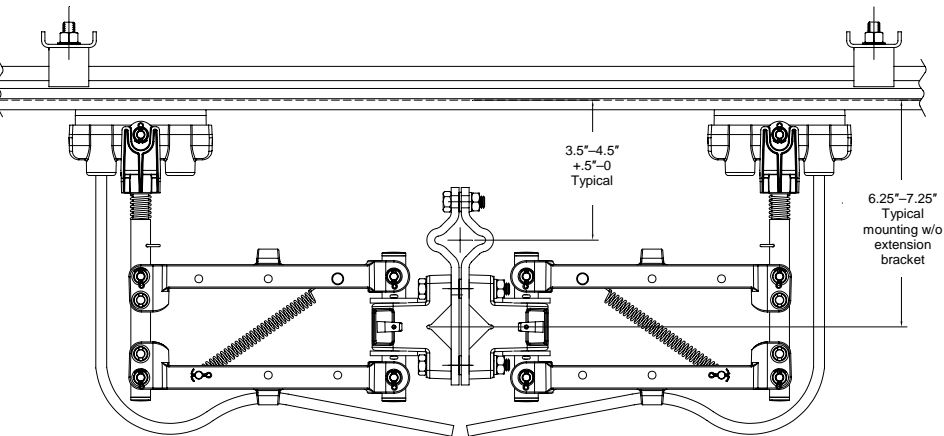


Electromotive

Part Number: 120-10044-R1

January 2007

© Copyright 2007 Magnetek Material Handling

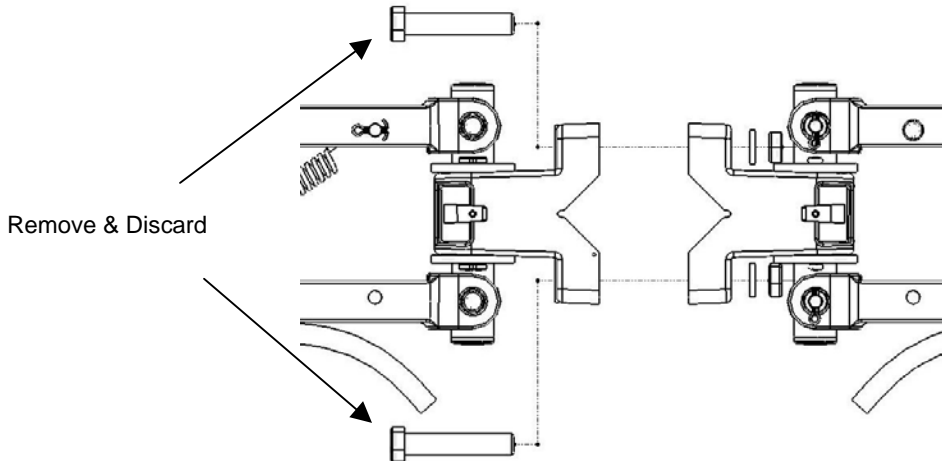


UC Type Collector Mounting With Extension Bracket

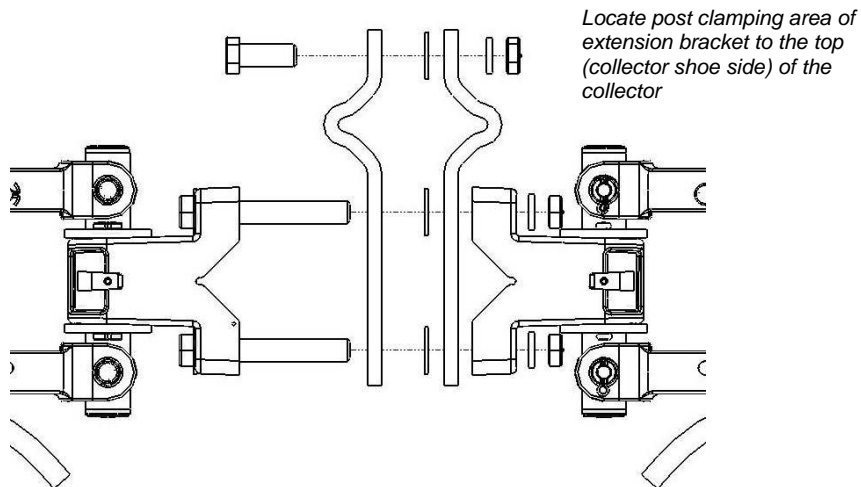
An extension bracket is required where collectors are being mounted on an existing non-adjustable 1" square post. The purpose is to extend the mounting center of the collector from the running surface of the conductor bar from the existing 3.5" – 4.5" to 6.25" – 7.25".

Installation Instructions:

- 1 – Remove 3/8-16NC nuts and 3/8 lock washer from mounting base of collector.
- 2 – Remove the 3/8-16NC X 2 bolts from the base of the collector. Rotate base in one direction while pushing the bolt out of the base in the opposite direction. Replace with the 3/8-16NC X 2.75" bolts included with the extension bracket.



- 3 – Re-assemble mounting bracket assembly with the UC-EXT-200 Extension Bracket as illustrated below. Do not tighten hardware until collector assembly is properly located on mounting post.



- 4 – When collector is properly aligned with the conductor bar, tighten hardware. Tighten each bolt until the collector is firmly in place on mounting post (30 to 38 lb.ft.). *Note: The size of the mounting posts may vary – if the extension bracket is not firmly gripping the mounting post after the bolts are tightened, remove the bolt from above the post, remove the spacer washer, replace the bolt and re-tighten.*